

OPERATOR'S MANUAL FOR
PORTABLE
ELECTRIC DRIVEN/BELT DRIVE
COLD WATER PRESSURE WASHER

PARTS LIST




CAUTION
RISK OF INJURY!

READ MANUAL *BEFORE* OPERATING!
This manual is an important part of the
pressure washer and must remain with this unit!

TABLE OF CONTENTS

INTRODUCTION	3
IMPORTANT SAFETY INSTRUCTIONS	4
ELECTRICAL PRECAUTIONS	4
SPRAY PRECAUTIONS	5
DETERGENT CLEANING PRECAUTIONS: (OPTIONAL FEATURE)	5
MISCELLANEOUS SAFETY PRECAUTIONS:	6
ADJUSTMENT PRECAUTIONS:	6
FEATURES	7
FEATURES LISTING	7
SAFETY DECALS & PLACEMENT	8
INSTALLATION & PREPARATION	9
ATTIRE :	9
SETUP:	9
NOZZLE REVIEW:	9
NOZZLE CONNECTION:	10
WATER SUPPLY:	10
UNLOADER:	11
THERMAL RELIEF VALVE:	11
POWER CORD CONNECTION:	11
PRE-START INSPECTION PROCEDURES:	11
OPERATING INSTRUCTIONS	13
PRIMING THE PUMP:	13
START-UP:	13
CLEANING WITH DETERGENTS (OPTIONAL FEATURE):	14
SHUTDOWN:	14
STORAGE & MAINTENANCE	15
SPECIFIC MAINTENANCE:	15
WINTERIZING:	15
TROUBLESHOOTING	17
STATEMENT OF WARRANTY	19

WARNING

 **WARNING:** This product can expose you to chemicals including Lead, which is known to the State of California to cause cancer and birth defects or other reproductive harm. For more information go to www.P65Warnings.ca.gov

INTRODUCTION

Congratulations on the purchase of your new Cold Water Pressure Washer! You can be assured your pressure washer was constructed and designed with quality and performance in mind. Each component has been rigorously tested to ensure the highest level of acceptance.

This operator's manual was compiled for your benefit. By reading and following the simple safety, installation, operation, maintenance and troubleshooting steps described in this manual, you will receive years of trouble free operation from your new pressure washer. The contents of this manual are based on the latest product information available at the time of publication. The manufacturer reserves the right to make changes in price, color, materials, equipment, specifications or models at any time without notice.

! IMPORTANT !

These paragraphs are surrounded by a "SAFETY ALERT BOX". This box is used to designate and emphasize Safety Warnings that must be followed when operating this pressure washer.

Accompanying the Safety Warnings are "signal words" which designate the degree or level of hazard seriousness. The "signal words" used in this manual are as follows:

DANGER: INDICATES AN IMMINENTLY HAZARDOUS SITUATION WHICH, IF NOT AVOIDED, WILL RESULT IN DEATH OR SERIOUS INJURY.

WARNING: INDICATES A POTENTIALLY HAZARDOUS SITUATION WHICH, IF NOT AVOIDED, COULD RESULT IN DEATH OR SERIOUS INJURY.

CAUTION: INDICATES A POTENTIALLY HAZARDOUS SITUATION WHICH, IF NOT AVOIDED MAY RESULT IN MINOR OR MODERATE INJURY.

The symbols set below this paragraph are "Safety Alert Symbols". These symbols are used to call attention to items or procedures that could be dangerous to you or other persons using this equipment.



ALWAYS PROVIDE A COPY OF THIS MANUAL TO ANYONE USING THIS EQUIPMENT. READ ALL INSTRUCTIONS BEFORE OPERATING THIS PRESSURE WASHER AND ESPECIALLY POINT OUT THE "SAFETY WARNINGS" TO PREVENT THE POSSIBILITY OF PERSONAL INJURY TO THE OPERATOR.

Once the unit has been uncrated, immediately write in the serial number of your unit in the space provided below.

SERIAL NUMBER _____

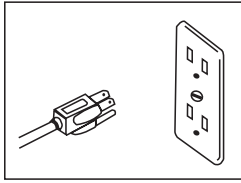
Inspect for signs of obvious or concealed freight damage. If damage does exist, file a claim with the transportation company immediately. Be sure that all damaged parts are replaced and that the problems are corrected prior to operation of the unit. If you require service, contact your customer service representative.

Please have the following information available for all service calls:

1. Model Number
2. Serial Number
3. Date and Place of Purchase

IMPORTANT SAFETY INSTRUCTIONS

ELECTRICAL PRECAUTIONS

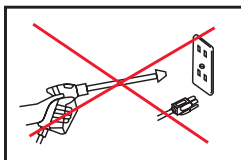


1. **GROUNDING INSTRUCTIONS:** This product must be grounded. If it should malfunction or breakdown, grounding provides a path of least resistance for electric current to reduce the risk of electric shock. This product is equipped with a cord having an equipment-grounding conductor and a grounding plug. The plug must be plugged into an appropriate outlet that is properly installed and grounded in accordance with all local codes and ordinances.
2. **DANGER:** Improper connection of the equipment-grounding conductor can result in a risk of electrocution. Check with a qualified electrician or service personnel if you are in doubt as to whether the outlet is properly grounded. Do not modify the plug provided with the product - if it will not fit the outlet, have a proper outlet installed by a qualified electrician. Do not use any type of adaptor with this product.
3. **GROUND FAULT INTERRUPTER PROTECTION:** This pressure washer may be provided with a Ground Fault Circuit Interrupter (GFCI) built into the plug or the power supply cord. This device provides additional protection from the risk of electric shock. Should replacement of the cord become necessary, use only identical replacement parts that include GFCI protection. If unit is not provided with a GFCI, to comply with the National Electric Code (NFPA 70) and to provide additional protection from the risk of electric shock, this pressure washer should only be connected to a receptacle that is protected by a Ground Fault Circuit Interrupter (GFCI).
4. **EXTENSION CORDS:** The manufacturer **DOES NOT RECOMMEND THE USE OF EXTENSION CORDS!** If use of an extension cord is unavoidable, it must be plugged into a GFCI found in circuit boxes or protected receptacles. When using an extension cord, consult a qualified electrician to determine the proper wire gauge needed for the length of the extension cord. For Single Phase units, use only 3-wire extension cords that have 3-prong grounding-type plugs and 3-pole cord connectors that accept the plug from the product. For Three Phase units, use only 4-wire extension cords that have 4-prong grounding-type plugs and 4-pole cord connectors that accept the plug from the product. Use only extension cords that are intended for outdoor use. These extension cords are identified by a marking "Acceptable for use with outdoor appliances; store indoors while not in use." Use only extension cords having an electrical rating not less than the rating of the product. Do not use damaged extension cords. Examine extension cord before using and replace if damaged. Do not abuse extension cord and do not yank on any cord to disconnect. Keep cord away from heat and sharp edges. Always connect and disconnect the extension cord from the receptacle before connecting and disconnecting the product from the extension cord.



WARNING

To reduce the risk of electrocution, keep all connections dry and off the ground. Do not touch plug with wet hands.



5. If your unit is equipped with a GFCI, **DO NOT** drop the GFCI as damage could result. If the GFCI is accidentally dropped, be certain to test the GFCI before using to ensure it is working properly. (Follow instructions on GFCI for test procedures.)
6. **DO NOT** pull on the electrical cord to disconnect from the outlet, **OR** pull the unit by the cord.
7. Check power cord for damage before using. There is a hazard of electrical shock from crushing, cutting or heat damage.
8. Always be certain the unit is receiving proper voltage. Before plugging the unit into a compatible power source, be certain the switch is in the "OFF" position. Disconnect when not in use.
9. **DO NOT** use the unit in an area where flammable gas vapors may be present. An electric spark could cause an explosion or fire.
10. **DO NOT** direct water spray on or into electrical installations of any kind.

IMPORTANT SAFETY INSTRUCTIONS

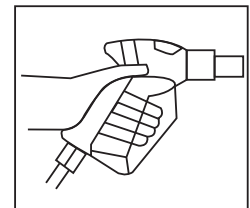
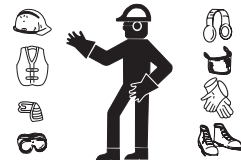
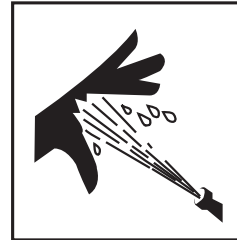
This includes electrical outlets, light bulbs, fuse boxes, transformers, the unit itself, etc. Severe electrical shock may occur.

11. The manufacturer does not recommend that the owner attempt any electrical repairs to this unit. spray precautions:

SPRAY PRECAUTIONS

⚠ DANGER RISK OF INJECTION OR SEVERE CUTTING INJURY KEEP CLEAR OF NOZZLE. DO NOT DIRECT DISCHARGE STREAM AT PERSONS OR PETS. ONLY TRAINED OPERATORS SHOULD USE THIS PRODUCT. BASIC PRECAUTIONS SHOULD ALWAYS BE OBSERVED, INCLUDING THE FOLLOWING:

1. KEEP AWAY FROM THE SPRAY:
 - a. Because of the high pressure and velocity of the spray, fluids can penetrate the skin, causing serious injury.
 - b. Never point the gun at yourself or anyone else. Never put your hand, fingers or body directly over the spray nozzle. Always keep operating area clear of all persons. Use extreme caution when operating near children.
 - c. If an accident does occur and the spray appears to have penetrated the skin, SEEK EMERGENCY MEDICAL CARE. DO NOT TREAT AS A SIMPLE CUT. If you are using cleaning agents, be prepared to tell a physician exactly what kind.
2. ALWAYS wear protective goggles when operating the unit to shield the eyes from flying debris and detergents. Other protective equipment such as rubber suits, gloves and respirators are advisable, especially when using cleaning detergents. Use extreme caution when operating near children.
3. Stay alert-watch what you are doing. Do not operate the unit when fatigued or under the influence of alcohol or drugs.
4. NEVER squeeze the trigger unless securely braced. The thrust from the water traveling through the nozzle may be powerful enough to cause the operator to lose balance if unprepared. DO NOT overreach or stand on unstable support. Wet surfaces can be slippery, wear protective foot gear and keep good footing and balance at all times. NEVER trigger the gun while on a ladder or roof.
5. Caution should be used when directing spray toward fragile materials such as glass. Shattering could result in serious injury.
6. ALWAYS hold on firmly to the gun/wand assembly when starting and operating the unit. Failure to do so can cause the wand to fall and whip dangerously. NEVER operate the gun with the trigger wired in the open position. To prevent accidental discharge, the trigger gun should be securely locked when not in use.
7. Even after you shut off the unit, there is high pressure water left in the pump, hose and gun until you release it by triggering the gun. Before removing the spray nozzle or servicing the unit, ALWAYS shut off the unit and trigger the gun to release trapped pressure.

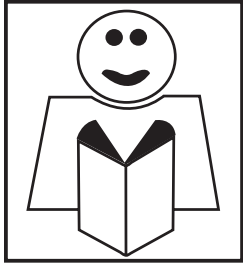


DETERGENT CLEANING PRECAUTIONS: (OPTIONAL FEATURE)

1. DO NOT use solvents or highly corrosive detergents or acid type cleaners with this pressure washer. Use only mild detergents.
2. KNOW YOUR DETERGENTS! Be prepared to tell a physician exactly what you are using in the event of an emergency. Read the Material Safety Data Sheet (MSDS) provided with your detergent and all detergent labels. Follow all appropriate instructions regarding preparation use, safety and transportation. Keep ALL detergents out of the reach of children.
3. DO NOT use this pressure washer to dispense hazardous detergents.

IMPORTANT SAFETY INSTRUCTIONS

4. DO NOT alter the detergent injection feature in any manner not prescribed in this manual. Use only genuine manufacturer replacement parts for necessary repairs.



MISCELLANEOUS SAFETY PRECAUTIONS:

1. NEVER ALLOW CHILDREN OR ADOLESCENTS TO OPERATE THIS UNIT!
2. Read and follow all handling, operations, maintenance and safety instructions listed in this manual and provide such information to ANYONE who will be operating this unit.
3. This pressure washer may be provided with a Ground Fault Circuit Interrupter (GFCI) built into the plug of the power supply cord. Should replacement of the cord become necessary, use only identical replacement parts that include GFCI protection.
4. In freezing temperatures, the unit must always be warm enough to ensure there is no ice formation in the pump. DO NOT start this unit if it has been transported in an open or underheated vehicle without first allowing the pump to thaw.
5. When connecting the water inlet to the water supply mains, local regulations of your water company must be observed. In some areas the unit must not be connected directly to the public drinking water supply. This is to ensure that there is no feedback of the detergents into the water supply. (Direct connection is permitted if a back flow preventer is installed.)
6. High pressure hoses should be inspected daily for signs of wear. If evidence of failure exists, promptly replace all suspect hoses to prevent the possibility of injury from the high pressure spray. If a hose or fitting is leaking, NEVER place your hand directly on the leak.
7. DO NOT operate the unit if you see any pump oil or water leaks from the machine. DO NOT resume operation until the unit has been inspected and repaired by a qualified service person.
8. DO NOT operate the unit without all protective covers in place.
9. To reduce the risk of injury, maintain a safe distance from persons while operating this unit. Close supervision is necessary when operating the unit near children.
10. DO NOT leave pressurized unit unattended. Shut off the unit and release trapped pressure before leaving.
11. DO NOT move the unit by pulling on the hose.

ADJUSTMENT PRECAUTIONS:

1. NEVER alter or modify the equipment, be sure any accessory items and system components being used will withstand the pressure developed. Use ONLY genuine manufacturer parts for repair of your pressure washer. Failure to do so can cause hazardous operating conditions and will void warranty.
2. NEVER make adjustments to the machinery while it is connected to the power source.
3. Know how to stop the pressure washer and bleed pressures quickly. Be thoroughly familiar with controls.
4. Before servicing the unit; turn the unit off, relieve the water pressure, and allow the unit to cool down. Service in a clean, dry, flat area. Block the wheels to prevent the unit from moving.
5. Follow the maintenance instructions specified in this manual.

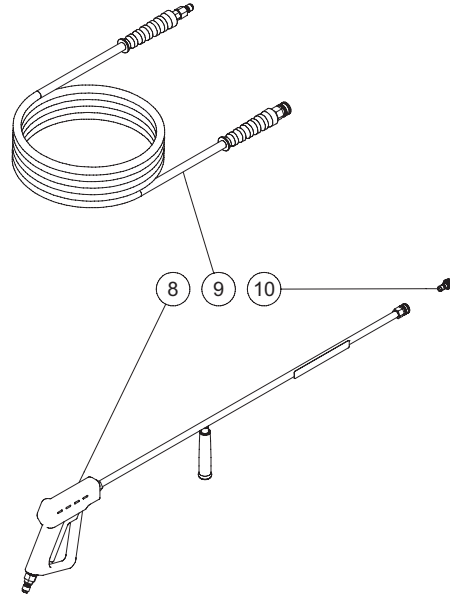
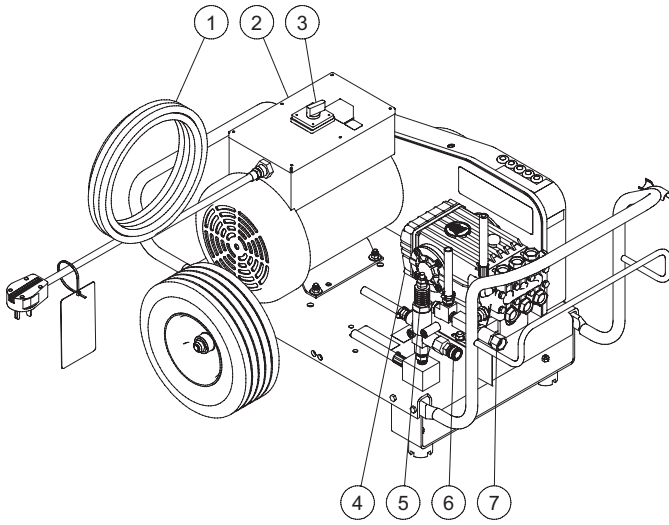


! SAVE THESE INSTRUCTIONS !

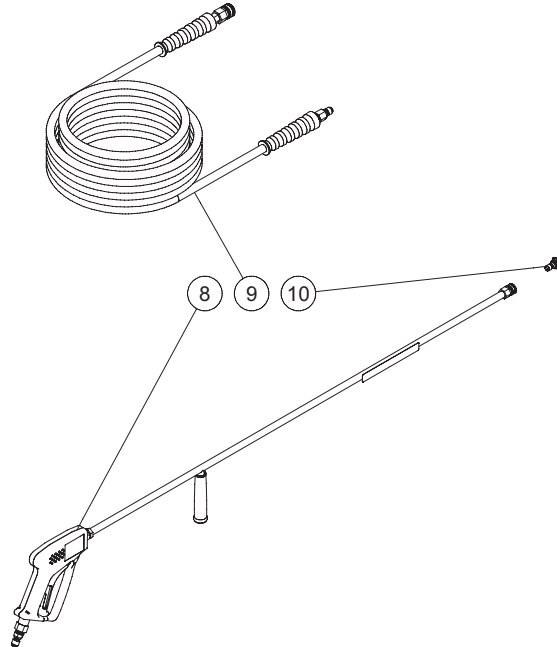
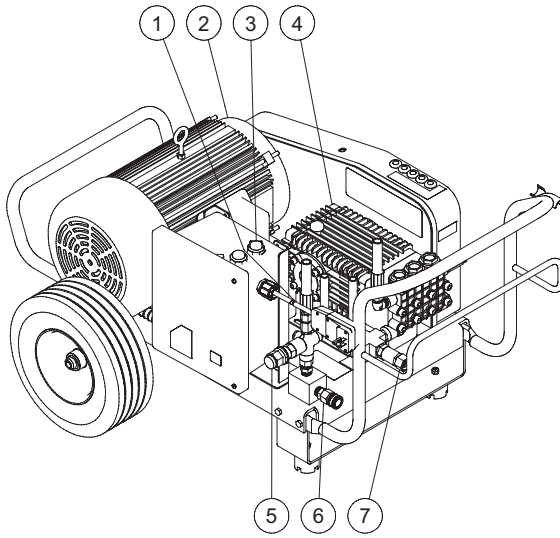


FEATURES

CW ELECTRIC 7.5-8HP FEATURES 120717



CW ELECTRIC 10-15HP FEATURES 120717



FEATURES LISTING

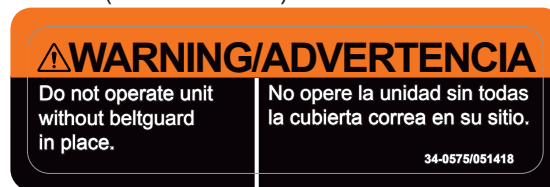
1. Plug Cord w/GFCI (Single Phase where applicable)
2. Motor
3. Switch
4. Pump
5. Unloader
6. Water Outlet
7. Water Inlet
8. Gun Assembly
9. High Pressure Hose
10. Quick Connect Nozzle

SAFETY DECALS & PLACEMENT

Hang Tag: Warning-Risk of Electrocutation (Part #34-1035)



Decal: Warning: Beltguard in Place (Part #34-0575)



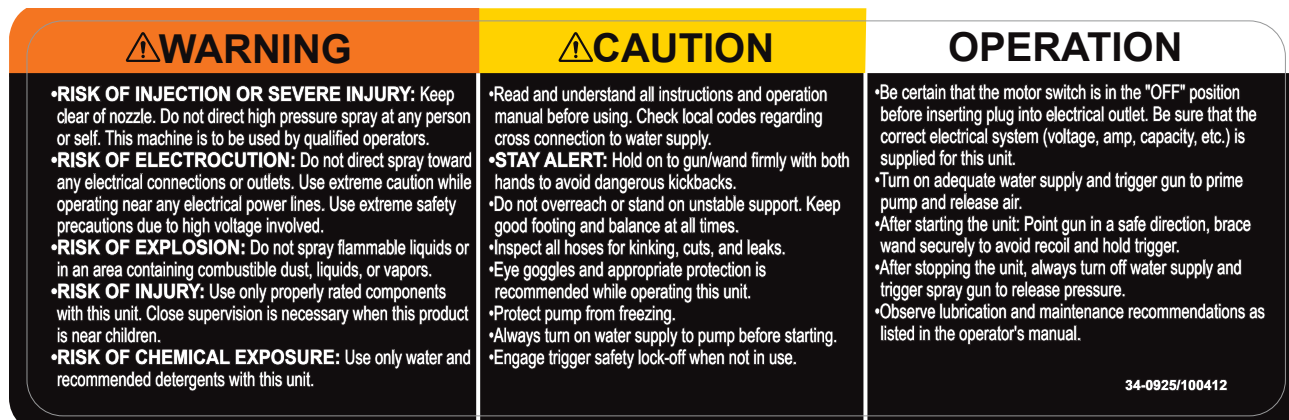
Decal: Do Not Spray Symbol (Part #34-0391)



Decal: Warning: Risk of Injection (Part #34-1253)



Reference #10: Decal: Warning/Caution/Operating Instructions (Part #34-0925)



INSTALLATION & PREPARATION

ATTIRE:

Proper attire is essential to your safety. It is advised to utilize whatever means necessary to protect eyes, ears, and skin. Additional safety attire (such as respiratory mask) may be required when using detergent cleaning agents with this washer.

SETUP:

WARNING RISK OF EXPLOSION OR FIRE! DO NOT OPERATE UNIT IN AN AREA WHERE FLAMMABLE GAS VAPORS MAY BE PRESENT. A SPARK CAN CAUSE AN EXPLOSION OR FIRE!

RISK OF UNIT BURSTING! DO NOT STORE OR OPERATE UNIT IN A FREEZING ENVIRONMENT!

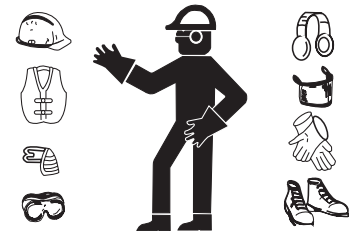
1. This unit should only be placed on a level surface to ensure proper lubrication for the water pump while operating. NEVER spray water directly on the unit!
2. DO NOT place unit in an area:
 - a. where there is evidence of oil or gas leaks
 - b. where flammable vapors may be present.
3. Do not allow the unit to be exposed to rain, snow or freezing temperatures. If any part of the unit becomes frozen; excessive pressure may build up in the unit which could cause it to burst which could result in serious injury to the operator or bystanders.
4. Pump oil level should be checked before each use to be certain the oil level is in the center of the sight glass. If low, fill with SAE20 or 30 non-detergent pump oil. DO NOT OVERFILL!

NOZZLE REVIEW:

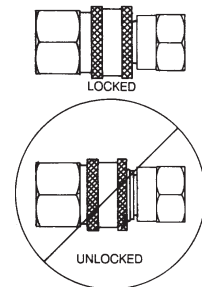
WARNING RISK OF INJECTION CAUSING SEVERE INJURY! NEVER LOOK DIRECTLY AT THE NOZZLE ORIFICE UNLESS IT IS DISCONNECTED FROM THE GUN/WAND ASSEMBLY!

Various nozzles may be quick-connected into the end of the wand to change the spray pattern or use the optional detergent feature. When using Quick Connects (Q.C.), be certain the connection is securely locked. (See Figure "Connection of Q.C. Nozzles" right.) If not, the high pressure water may shoot the nozzle from the wand, causing severe injury or serious damage. To determine spray fan, refer to the actual number stamped on the nozzle. The first two digits indicate the spray fan in degrees, i.e.; 00=0°, 15=15°, 25=25°, 40=40°.

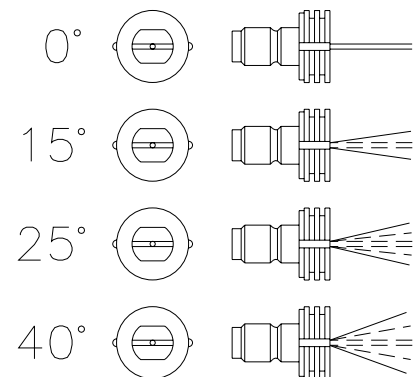
1. The 0° nozzle (RED): This is a blasting nozzle. It delivers a very concentrated stream of water. Care should be used to avoid gouging wood or damaging fragile surfaces. Uses: Removing weeds from sidewalk cracks, stubborn stains from concrete, masonry, aluminum and steel, caked mud from equipment, and cleaning lawn mower undersides.
2. The 15° nozzle (YELLOW): This is a chiseling nozzle. The spray should be directed at a 45° angle to the surface and used like a scraper to remove paint, grease and dirt. Uses: Surface preparation (removing mildew) stains and paint chips).
3. The 25° nozzle (GREEN): This is a flushing nozzle. This pattern is best suited for flushing dirt, mud, and grime. Uses: Wet sweeping leaves from walks, curbs and driveways, cleaning stable floors, washing swimming pool bottoms, degreasing engines.
4. The 40° nozzle (WHITE): This is a wash nozzle. This wide spray pattern disperses the water pressure over a large area and is recommended for moderate washing. Uses: Washing down aluminum siding, washing vehicles, spraying sidewalks, driveways, and patios.



CONNECTION OF Q.C. NOZZLES



QUICK CONNECT (Q.C.) NOZZLES

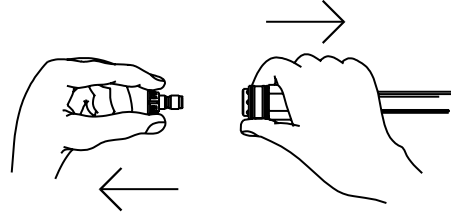
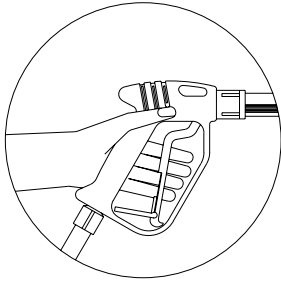


INSTALLATION & PREPARATION

NOZZLE CONNECTION:

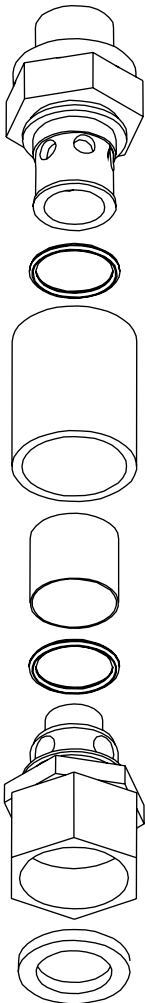
1. Ensure the trigger gun is locked in the "OFF" position. See WARNING.

⚠ WARNING RISK OF SEVERE INJURY! THE TRIGGER GUN SHOULD ALWAYS BE LOCKED IN THE OFF POSITION WHEN NOT IN USE!



2. The quick-connect nozzle should be disconnected from the gun assembly at this time. As shown in the drawing below, retract the locking ring on the quick-connect fitting to remove the nozzle.

WATER INLET STRAINER



WATER SUPPLY:

1. Select a water supply hose which is a quality grade of garden hose measuring at least 3/4" ID and no longer than 50 feet.
2. Check the see-through water filter to ensure it is clean and free of any obstructions. Periodic cleaning of the see-through water filter will help prevent pump problems. As a filter screen becomes obstructed, it restricts proper flow of water to the pump. This can result in cavitations which will cause premature failure of pump packings.
 - a. Unscrew the garden hose inlet connection from the front of the filter assembly.
 - b. Remove the clear plastic cover and clean the filter screen.
3. Connect the hoses:
 - a. Connect one end of the water supply hose to the water inlet of the unit.
 - b. Connect the other end of the hose to your pressurized water supply. When connecting the water inlet to the water supply mains, local regulations of your water company must be observed. In some areas, the unit must not be connected directly to the public drinking water supply. This is to ensure that there is no feedback of the detergents into the water supply. (Direct connection is permitted if a back flow preventer is installed.)
- NOTE: If there is a high mineral content in your water, it is highly recommended that an additional water strainer be added to the water inlet to help reduce mineral content. Clean both strainers before starting your pressure washer.*

 - c. Quick-connect the high pressure discharge hose to the water outlet of the unit.
 - d. Connect the other end of the discharge hose to the gun.
4. Follow the incoming water requirements listed below:
 - a. Water pressure must be a minimum of 25 pounds per square inch (PSI) and a maximum of 125 PSI. (A typical outdoor faucet will generally supply this PSI if turned completely "ON".)
 - b. Incoming GPM must be approximately one gallon more than the outgoing GPM stated on the pressure washer nameplate. (You can check GPM by timing how long it takes to fill a 5 gallon container.)
 - c. Incoming water temperature must not exceed 125°F. Excessive pump damage may result if the water temperature exceeds this acceptable level.
5. Never allow the unit to operate without the incoming water line attached and the water supply completely turned on.

INSTALLATION & PREPARATION

UNLOADER:

If the unloader on your machine is equipped with an adjustment knob, you can adjust the pressure. Should less pressure be required, simply turn the adjustment knob counterclockwise. To set back to maximum, turn adjustment knob completely clockwise. **DO NOT OVERTIGHTEN!**

⚠ CAUTION RISK OF UNIT DAMAGE! DO NOT OVERTIGHTEN THE UNLOADER. BREAKAGE WILL RESULT IN IMMEDIATE LOSS OF WATER PRESSURE AND COSTLY REPAIRS.

If the unloader does not have an adjustment knob, **DO NOT** adjust the pressure on your own! The pressure has been preset at the factory and should only be adjusted by a trained your Customer Service Representative.

THERMAL RELIEF VALVE:

To ensure that the water temperature does not exceed acceptable levels, never allow the pressure washer to operate in the bypass mode (with the unit running and the trigger gun closed) for more than three minutes.

A "Thermal Relief Valve" has been added to this unit to protect the pump. It will open and release water if the water temperature in the pump has exceeded 140°F. This will allow fresh, cool water to enter the system.

POWER CORD CONNECTION:

⚠ WARNING RISK OF ELECTROCUTION! THIS UNIT MUST BE CONNECTED TO A PROPERLY GROUNDED OUTLET. DO NOT USE AN ADAPTER OR REMOVE THE GROUNDING PRONG.

1. Make certain the motor switch is in the "OFF" position.
2. Ensure electrical supply matches that shown on identification plate located on unit base plate.
3. If your unit is equipped with a GFCI, test the GFCI according to the instructions on the GFCI. Do not use if the test fails!
4. Ensure the area between the pressure washer cord and the outlet is kept dry.
5. Insert the male plug into a properly grounded AC outlet. **DO NOT** use an adapter **OR** remove the grounding prong!

PRE-START INSPECTION PROCEDURES:

Before starting the unit, perform the following procedures:

1. Check the oil level in the pump.
2. Inspect the inlet water strainer. Clean or replace if necessary. See "Water Supply", #2.
3. Check all hose connections to ensure they are securely tightened. See "Water Supply" #3.
4. Inspect for system water leaks and oil leaks. Be sure that all damaged parts are replaced and that the mechanical problems are corrected prior to operation of the unit. If service is needed, contact an Authorized Service Center.
5. Inspect high pressure hose for kinking, cuts or leaks. If a cut or leak is found, **DO NOT USE HOSE!** Replace hose before starting unit. See "Miscellaneous Safety Precautions" #6. Be sure that all damaged parts are replaced and that the mechanical problems are corrected prior to operation of the unit. If you need service, contact an Authorized Service Center.
6. Inspect electrical cord for cuts. If a cut is found, **DO NOT TOUCH OR USE ELECTRICAL CORD!** Replace cord before starting the unit.



THE FOLLOWING PAGES CONTAIN OPERATING AND MAINTENANCE INSTRUCTIONS.

DO NOT ATTEMPT TO OPERATE THIS PRESSURE WASHER UNTIL YOU HAVE READ AND UNDERSTOOD ALL SAFETY PRECAUTIONS AND INSTRUCTIONS LISTED IN THIS MANUAL.

INCORRECT OPERATION OF THIS UNIT CAN CAUSE SERIOUS INJURY!!

DO NOT ALTER OR MODIFY THIS EQUIPMENT IN ANY MANNER!

OPERATING INSTRUCTIONS

PRIMING THE PUMP:

1. It is essential to prime the pump on initial start-up and each time the water supply is disconnected from the unit after initial use.
2. Lay the high pressure hose out to remove any loops. Water flow will constrict the hose creating tight loops if the hose is not straight.
3. Securely connect the gun/wand assembly to the high pressure hose.

NOTE: The quick connect nozzle should NOT be connected to the gun wand assembly at this time. See "Nozzle Connection".

4. With the trigger gun locked in the "OFF" position, turn the water supply completely on. Pointing the gun in a safe direction, unlock the trigger gun and squeeze the trigger.



DANGER RISK OF INJECTION CAUSING SEVERE INJURY! -KEEP CLEAR OF NOZZLE! NEVER PLACE HAND OR FINGERS IN FRONT OF NOZZLE! -DO NOT DIRECT DISCHARGE STREAM AT PEOPLE OR PETS! -BE CERTAIN THE NOZZLE IS SECURELY CONNECTED TO THE WAND TO PREVENT ACCIDENTAL DISCHARGE.

5. Low pressure water will begin flowing from the gun/wand assembly. This allows the unit to prime and purge any air from the system. The unit is primed when water flow is uninterrupted by air.
6. Once the unit is primed, release the trigger and lock the gun in the "OFF" position. Securely connect the quick connect nozzle. (See "Connection of Q.C. Nozzle")

START-UP:

1. Refer to the "Safety Precautions" before starting the unit.
2. Locate the Safety Decals on your unit and heed their warnings.
3. With the gun locked in the "OFF" position, point the trigger gun away from yourself or anyone else. Ensure water supply is turned completely on.
4. Disengage the safety lock-off on the gun and squeeze the trigger. Low pressure water will begin flowing from the nozzle.
5. Before starting the unit, brace yourself, as the gun will kickback from the high pressure created by the pump once the unit has started.
6. Move the On/Off Switch in the "ON" position. Some switches include a circuit breaker for protection of the motor. In case of excess load, the circuit breaker will automatically move the switch to the "OFF" position. To restart, move the On/Off Switch again.
7. Once the unit is turned on, perform the following procedures with the gun open:
 - a. Inspect for system water leaks and oil leaks. If an oil leak is found, TURN UNIT OFF IMMEDIATELY! Be sure that all damaged parts are replaced and that the mechanical problems are corrected prior to operation of the unit. If you require service, contact Customer Service.
 - b. Inspect high pressure hose for kinking cuts and leaks. If a cut or leak is found, DO NOT TOUCH HOSE AT CUT OR LEAK!!! TURN UNIT OFF IMMEDIATELY! Replace hose before restarting the unit. See "Miscellaneous Safety Precautions #7. Be sure that all damaged parts are replaced and that the mechanical problems are corrected prior to operation of the unit. If you require service, contact Customer Service.
 - c. Inspect electrical cord for cuts. If a cut is found, DO NOT TOUCH ELECTRICAL CORD AT CUT!!! TURN UNIT OFF IMMEDIATELY!
8. Trigger the gun several times. Be certain to LOCK the trigger gun in the "OFF" position whenever changing the quick connect nozzle. NEVER look directly into the nozzle! High pressure water creates a risk of severe injury!
9. Do not allow the unit to operate in the bypass mode (with the trigger closed)

OPERATING INSTRUCTIONS

for more than 3 minutes without triggering the gun. Failure to follow this simple rule can cause premature failure of pump packing seals, resulting in costly pump repair.

10. Because your pressure washer delivers a high pressure spray and a variety of spray patterns, there are many cleaning jobs that can be done without the use of detergents. If a cleaning agent is required, see "Cleaning With Detergents" for the correct procedures.

⚠ CAUTION RISK OF DAMAGE. DO NOT ALLOW SPRAY PATTERN TO REMAIN ON A FIXED AREA FOR AN EXTENDED PERIOD OF TIME. POSSIBLE DAMAGE MAY OCCUR TO THE AREA.

CLEANING WITH DETERGENTS (OPTIONAL FEATURE):

The Detergent Injection feature is an optional feature on this unit. If you wish to add this feature to your unit, order part #AW-8300-0000.

1. Refer to "Detergent Cleaning Precautions", and the Detergent Injection Manual which accompanies part #AW-8300-0000. Be certain to wear protective safety attire as stated in manual.
2. Prepare detergent solution according to label directions. Never pump acids, alkaline, abrasive fluids or solvents through the unit.
3. Connect detergent injector to the unit as directed in the Detergent Injector Manual accompanying your unit.
4. Adjust the amount of detergent desired by rotating the adjustment knob on the injector assembly counterclockwise. Turn the knob completely counterclockwise to set at the maximum siphon rate.
5. Immerse the strainer into the detergent solution to allow detergent to siphon.
6. With the trigger gun locked in the "OFF" position, securely quick connect the detergent spray nozzle (#6540 BLACK) into the end of the wand.

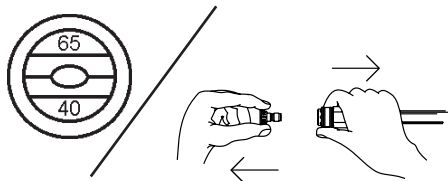
NOTE: This injection system was designed to apply detergents under low pressure only. It will not allow detergent solutions to be introduced into the system unless the detergent nozzle is installed in the wand.

7. To apply solution; unlock the trigger gun and squeeze the trigger. In a few moments a detergent/water mixture will exit the low pressure nozzle. Start spraying the lower portion of the surface being cleaned and move up, using long overlapping strokes. Applying from the bottom up helps avoid streaking. Allow to soak briefly. (Avoid working on hot surfaces or in direct sunlight to minimize the chances of the detergent drying, which may result in damaging surfaces.) Be certain to rinse a small section at a time.
8. To rinse; lock the trigger gun in the "OFF" position, securely quick connect the 40° nozzle into the end of the wand. Unlock the trigger gun and spray. It will take about 30 seconds to purge all detergent from the line. For best rinsing results, start at the top and work down.
9. Siphon a gallon of water through the low pressure detergent injection system after each use. This prevents the possibility of corrosion or detergent residue causing mechanical problems during the next use.

SHUTDOWN:

1. Move the On/Off switch to the "OFF" position to turn unit off.
2. Turn the water supply "OFF".
3. Pointing the gun in a safe direction, trigger gun momentarily to relieve any trapped pressure. Once pressure is relieved, disconnect the nozzle assembly.
4. Disconnect the unit from the power source.
5. Disconnect and drain gun, wand and hoses.
6. Wipe unit clean and store with gun, wand and hoses in a safe area.

QUICK CONNECT DETERGENT



STORAGE & MAINTENANCE

SPECIFIC MAINTENANCE:

PUMP: Change the pump oil after the first 25 hours of operation. After initial change, every 3 months or 250 hour intervals are recommended. If oil appears dirty or milky, changes may be required in greater frequency. Use SAE20 or 30 non-detergent pump oil and fill only to the center of the oil sight glass.

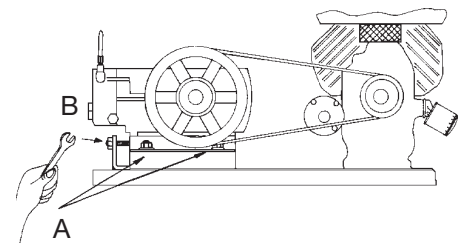
QUICK COUPLERS: There is an o-ring seal inside the female quick-coupler. This o-ring will deteriorate or, if the unit is allowed to pump without the high pressure hose attached, it may be blown out occasionally. Simply insert a replacement o-ring to correct the leak. (New o-rings can be purchased from your dealer.)

NOZZLES: Water flow through the quick-connect spray nozzle will erode the orifice, making it larger, resulting in a pressure loss. Nozzles should be replaced whenever pressure is less than 85% of the maximum. The frequency of replacement will depend upon such variables as mineral content in the water and number of hours the nozzle is used.

BELT TENSION ADJUSTMENT: To maintain peak performance of your pressure washer, it may be necessary to adjust the belt tension on occasion. Follow the procedure outlined below.

1. Remove the belt guard and loosen the two nuts on each side of the pump. (Reference A) There are a total of 4 nuts.
2. Turn the cap screw (Reference B) clockwise until a 1/2 inch belt deflection is noticed between the pulleys.
3. Tighten the side nuts. (Reference A)
4. Put a straight edge across both pulleys. If necessary, loosen one set of pulley screws and adjust in or out to properly align. Tighten the pulley screws and check the tension again.
5. Replace the beltguard and tighten the fasteners securely.

BELT TENSION ADJUSTMENT



WINTERIZING:

For storage and transportation purposes in subfreezing ambient temperatures, it will be necessary to winterize this unit. This unit must be protected to the lowest incurred temperature for the following reasons:

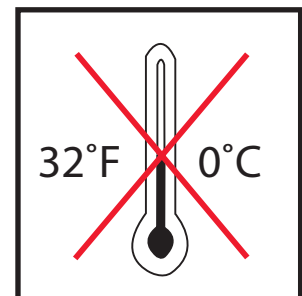
1. If any part of the pumping system becomes frozen; excessive pressure may build up in the unit which could cause the unit to burst resulting in possible serious injury to the operator or bystanders.

⚠ WARNING RISK OF UNIT BURSTING! DO NOT STORE OR OPERATE UNIT IN A FREEZING ENVIRONMENT!

2. The pumping system in this unit may be permanently damaged if frozen. FREEZE DAMAGE IS NOT COVERED BY WARRANTY.

If you must store your unit in an area where the temperature may fall below 32°F, you can protect your unit by following the procedure outlined below.

1. Gather the following items:
 - a. Two 5 gallon containers.
 - b. One gallon of antifreeze. (The manufacturer recommends an environmentally safe antifreeze.)
 - c. Water supply.
 - d. Three foot hose, 1/2-3/4 I.D. with a 3/4 inch male garden hose fitting.
2. Procedure:
 - a. Shut off the unit and water supply.
 - b. Relieve system pressure by pointing the trigger gun in a safe direction and squeezing the trigger until water flow ceases to exit the nozzle.
 - c. Lock the trigger gun in an OFF position and remove the nozzle.



STORAGE & MAINTENANCE

- d. In a 5 gallon container, mix the antifreeze and water according to manufacturer's recommendations for the temperature to which you are winterizing.

NOTE: Proper winterizing is based on the recommended manufacture's instructions listed on the "Protection Chart" shown on the back label of most antifreeze containers.

- e. Remove the water supply hose from the unit and attach the 3 foot hose securely to the inlet connection. Submerge the opposite end into the antifreeze solution.
 - f. Point the wand into the empty container and start the unit.
 - g. Trigger the gun until the antifreeze begins to exit the wand. Release the trigger for 3 seconds, then trigger the gun for 3 seconds. Continue cycling the gun several times until all the antifreeze mixture is siphoned from the container.
 - h. Detach the 3 foot hose from the unit and drain any excess antifreeze back into the 5 gallon container.
 - i. Disconnect the hose/gun/wand assembly from the unit and drain any excess antifreeze back into the 5 gallon container.
 - j. Store the hose, gun and wand with the unit in a safe area.
 - k. Store antifreeze solution for next use or dispose of according to state EPA laws.
3. Optional Procedure:
 - a. Shut off the unit and water supply.
 - b. Relieve system pressure by pointing the trigger gun in a safe direction and squeezing the trigger until water flow ceases to exit the nozzle.
 - c. Disconnect and drain the hose, gun and wand.
 - d. Start the unit and allow it to run until all the water exits the unit. Once the water has stopped flowing from the unit, turn the unit off.

NOTE: When using this procedure, caution should be used as ice chips can form from drops of water which could cause the unit to burst if starting before completely thawed.

TROUBLESHOOTING

SYMPTOM	PROBABLE CAUSE	REMEDY
Pump motor will not start, or stops.	GFCI tripped.	Turn unit "OFF". Test GFCI by pressing reset button.
	Tripped circuit breaker or fuse blown in circuit fuse box.	Disconnect all other plugs on the circuit being used and reset circuit breaker OR check and replace fuse.
	Loose or disconnected plug.	Reconnect plug.
	Tripped circuit breaker in unit.	Allow to cool and restart unit.
	Unit is frozen.	Allow to thaw. If any part of the unit becomes frozen; excessive pressure may build up in the unit which could cause the unit to burst resulting in possible serious injury to the operator or bystanders.
Circuit breaker trips or fuse blows in the fuse box.	Circuit overload.	Check that the circuit is rated correctly. Disconnect all plugs on the circuit. When connecting to a circuit protected by fuses, use time delay fuses only.
	Extension cord is too long or wire is too small.	Use correct electrical requirements.
GFCI trips.	Incorrect voltage.	Ensure electrical supply matches that shown on the I.D. plate.
	Electrical short to ground.	Contact Customer Service.
Motor runs but there is no discharge at nozzle when trigger mechanism is squeezed.	Inadequate water supply.	Ensure hose is 3/4" diameter and incoming water supply is turned on.
	Kink in water inlet hose.	Remove kink.
Low or fluctuating pressure.	Kink in high pressure discharge hose.	Replace kinked pressure hose.
	Water inlet screen obstructed	Remove screen, clean or replace.
	Pump sucking air. (Prime lost)	Tighten all water intake connections. Eliminate leaks in intake line.
	Detergent nozzle (6540/Black) is connected to wand.	Insert high pressure nozzle.
	Obstructed or worn spray nozzle.	Remove and clean, or replace.
	Damaged or obstructed valve assy.	Remove, inspect, clean or replace.
	Pump packings worn.	Replace.
	Bypass valve not operating correctly.	Repair or replace.
Water is leaking from the Heat Dump valve.	Water temperature or pressure is too high.	Do not allow unit to operate in the bypass mode (with the gun closed) for more than three minutes.
	Defective Valve.	Replace.
Oil appears milky or foamy.	Water in oil.	Change pump oil. Fill to proper level.
Oil leaking from unit.	DO NOT USE!!!!	Contact Customer Service.

TROUBLESHOOTING

SYMPTOM	PROBABLE CAUSE	REMEDY
Detergent will not siphon into Low Pressure Detergent mode.	Detergent strainer is not completely submerged in detergent solution.	Check; submerge if necessary.
	Detergent strainer is obstructed.	Inspect, clean or replace.
	Detergent hose is obstructed or cut.	Inspect, clean or replace.
	Detergent adjusting knob turned to the closed position.	Open by turning knob completely counterclockwise.
	Detergent nozzle (6540°/BLACK) is not connected to the wand.	Insert correct quick connect nozzle.
	Nozzle assembly is plugged.	Clean or replace.
	Too many high pressure hose extensions attached to the water outlet.	Use one extension maximum.
	Ball & Spring in Venturi stuck.	Remove, clean or replace.
Water flows back into detergent container.	Ball & Spring in Venturi reversed, missing or corroded.	Remove, clean or replace.
Water flows from the nozzle when the trigger gun is in the "OFF" position.	Gun is malfunctioning.	Repair or replace.

STATEMENT OF WARRANTY

The manufacturer warrants all parts, (except those referred to below), of your new COLD WATER-ELECTRIC belt driven pressure washer to be free from defects in materials and workmanship during the following periods:

For Lifetime against freezing and cracking:

Pump Manifold

For Seven (7) Years from the date of original purchase:

High Pressure Pump

For Two (2) Years from the date of original purchase:

Cart Assembly

Pulleys

Plumbing

For One (1) Year from the date of original purchase:

GFCI Cord

Selector Switch

Starter Contactor

Overload

For Ninety (90) Days from the date of original purchase:

Trigger Gun/Wand

High Pressure Hose

Unloader Valve

Strainer/Filter

Defective parts not subject to normal wear and tear will be repaired or replaced at our option during the warranty period. In any event, reimbursement is limited to the purchase price paid.


EXCLUSIONS

1. The motor is covered under separate warranty by its respective manufacturer and is subject to the terms set forth therein.
2. Normal wear parts:
Pump Packings Spray Nozzles Pump Valves
O-rings Detergent Valves Belts
Quick Couplings/Screw Connects
3. This warranty does not cover parts damaged due to normal wear, misapplication, misuse, operation at other than recommended speeds, pressures or temperature. Parts damaged or worn because of the use of caustic liquids or by operation in abrasive or corrosive environments or under conditions causing pump cavitation are not warranted. Failure to follow recommended operating and maintenance procedures also voids warranty.
4. The use of other than genuine manufacturer repair parts will void warranty. Parts returned, prepaid to our factory or to an Authorized Service Center will be inspected and replaced free of charge if found to be defective and subject to warranty. There are no warranties which extend beyond the description of the face hereof. Under no circumstances shall the the manufacturer bear any responsibility for loss of use of the unit, loss of time or rental, inconvenience, commercial loss or consequential damages.

TABLE DE MATERIAS

NOTES	21
INTRODUCCION	23
ADVERTENCIAS IMPORTANTES DE SEGURIDAD	24
PRECAUCIONES ELECTRICAS:	24
PRECAUCIONES PARA ROCIADO:	25
PRECAUCIONES PARA LIMPIEZA CON DETERGENTES:	25
PRECAUCIONES MISCELANEAS DE SEGURIDAD:	26
PRECAUCIONES DE AJUSTE:	26
ELEMENTOS Y COMPONENTES	28
LISTA DE LOS ELEMENTOS Y COMPONENTES	28
CALCOMANIAS DE SEGURIDAD Y UBICACION	29
INSTALACION Y PREPARACION	30
PROTECCIÓN PERSONAL:	30
PREPARACIÓN:	30
BOQUILLA DE CONEXION RAPIDA:	30
CONEXION DE LA BOQUILLA:	31
SUMINISTRO DE AGUA:	31
DESCARGADOR:	32
VALVULA DE DESCARGA TERMICA:	32
CONEXIÓN DEL CABLE DE ALIMENTACIÓN ELÉCTRICA:	32
PROCEDIMIENTOS DE INSPECCION DE PREARRANQUE:	32
INSTRUCCIONES DE OPERACION	34
CEBADO DE LA BOMBA:	34
ARRANQUE:	34
LIMPIEZA CON DETERGENTES (CARACTERÍSTICA OPCIONAL):	35
APAGADO:	36
ALMACENAMIENTO Y MANTENIMIENTO	37
MANTENIMIENTO ESPECIFICO:	37
PREPARACION PARA EL INVIERNO:	37
LOCALIZACION DE FALLAS	39
DECLARACIÓN DE GARANTÍA	41

ADVERTENCIA

 **ADVERTENCIA:** Este producto puede exponerlo a productos químicos, incluido el plomo, que el Estado de California conoce a causar cáncer y defectos congénitos u otros daños reproductivos. Para obtener más información, visite www.P65Warnings.ca.gov

INTRODUCCION

¡Felicitaciones por la compra de su nueva lavadora a presión! Puede estar seguro que su lavadora a presión fue construida con el nivel más alto de precisión y exactitud. Cada componente ha sido probado rigurosamente por técnicos para asegurar la calidad, la resistencia y el rendimiento de esta unidad.

Este manual del operador fue compilado para su beneficio. Leyendo y siguiendo los pasos simples de seguridad, instalación, operación, mantenimiento y localización de fallas descritos en este manual ayudará a prolongar aun más la operación libre de fallas que usted puede esperar de su nueva lavadora a presión. El contenido de este manual está basado en la información actualizada disponible al momento de la publicación. El fabricante se reserva el derecho de efectuar cambios en precio, color, materiales, equipo, especificaciones o modelos en cualquier momento sin previo aviso.

¡IMPORTANTE!

Estos párrafos están rodeados por una "CASILLA DE ALERTA DE SEGURIDAD". Esta casilla se usa par designar y enfatizar las Advertencias de Seguridad que deben seguirse al operar esta lavadora a presión. Acompañando a las Advertencias de Seguridad están las "palabras de alerta" que designan el grado o nivel de seriedad de riesgo. Las "palabras de alerta" usadas en este manual son las siguientes:

PELIGRO: INDICA UNA SITUACIÓN INMINENTE RIESGOSA LA CUAL, SI NO SE EVITA, RESULTARA EN LA MUERTE O EN LESIONES GRAVES.

ADVERTENCIA: INDICA UNA SITUACIÓN POTENCIALMENTE RIESGOSA LA CUAL, SI NO SE EVITA, PODRIA RESULTAR EN LA MUERTE O EN LESIONES GRAVES.

PRECAUCION: INDICA UNA SITUACIÓN POTENCIALMENTE RIESGOSA LA CUAL, SI NO SE EVITA PUEDE RESULTAR EN LESIONES MENORES O MODERADAS.

El símbolo indicado a la izquierda de este párrafo es el "Símbolo de Alerta de Seguridad". Este símbolo se usa para alertarlo acerca de artículos o procedimientos que podrían ser peligrosos para usted u otras personas usando este equipo.



PROVEA SIEMPRE UNA COPIA DE ESTE MANUAL A CUALQUIER PERSONA QUE USE ESTE EQUIPO. LEA TODAS LAS INSTRUCCIONES ANTES DE OPERAR ESTA LAVADORA A PRESION, OBSERVANDO EN PARTICULAR LAS "ADVERTENCIAS DE SEGURIDAD" PARA EVITAR LA POSIBILIDAD DE LESIONES PERSONALES AL OPERADOR.

Escriba el número de serie de su unidad en el espacio provisto abajo, una vez que la unidad haya sido desempacada.

NUMERO DE SERIE _____

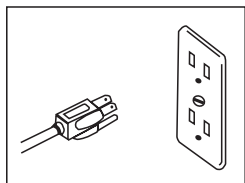
Inspeccione por daño el contenido de la caja. Si algo parece dañado, NO LA DEVUELVA AL LUGAR DE COMPRA. Llame a su representante de servicio al cliente.

Por favor tenga disponible la información siguiente para todas las llamadas de servicio:

1. Número de modelo
2. Número de serie
3. Fecha y lugar de compra

ADVERTENCIAS IMPORTANTES DE SEGURIDAD

PRECAUCIONES ELECTRICAS:

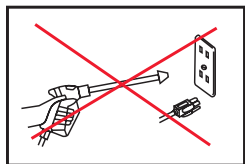


1. **INSTRUCCIONES DE CONEXION A TIERRA:** Este equipo debe conectarse a tierra. La conexión a tierra provee un camino de resistencia reducida a la corriente eléctrica para reducir el riesgo de choque eléctrico, en caso de malfuncionamiento o falla. Este producto está equipado con un cordón que tiene un conductor de conexión a tierra del equipo y un enchufe de conexión a tierra. El enchufe debe enchufarse a un tomacorriente apropiado que esté correctamente instalado y conectado a tierra de acuerdo con todos los códigos y ordenanzas locales.
2. **PELIGRO:** La conexión incorrecta del conductor de conexión a tierra del equipo puede resultar en un riesgo de electrocución. Si usted tiene dudas acerca de si el tomacorriente está correctamente conectado a tierra, consulte con un electricista calificado o personal de servicio. No modifique el enchufe provisto con el producto. Haga instalar un tomacorriente apropiado por un electricista calificado, si el enchufe no entra. No use ningún tipo de adaptador con este equipo.
3. **PROTECCION DEL INTERRUPTOR DE FALLA DE LA CONEXION A TIERRA:** La lavadora a presión está provista de un Interruptor de Falla de la Conexión a Tierra (GFCI) incorporada al enchufe del cordón eléctrico. Este mecanismo provee una protección adicional contra el riesgo de choque eléctrico. Use sólo piezas de repuesto idénticas que incluyan protección GFCI, si fuera necesario reemplazar el cordón eléctrico.
4. **CORDONES DE EXTENSION: ADVERTENCIA ¡EL FABRICANTE NO RECOMIENDA EL USO DE CORDONES DE EXTENSION!** Si no puede evitarse el uso de un cordón de extensión, el mismo debe enchufarse a un GFCI ubicado en las cajas de circuitos o receptáculos protegidos. Cuando está usando el cordón eléctrico pregunte una persona electrico a ser seguro que el cable medida que tiene es corrector para la longitud del cordón electrico. Para las unidades singulares fases, use dolemente 3-cable cordones electricos que tiene 3-tipo tapones fundados y 3-pole conectadores que va a aceptar el tapón del producto. Para las unidades fases terceros, use solamente 4-cable cordones electricos que tiene 4-punta conectadores que va a aceptar el tapon de este producto. Use solamente cordones para fuera del al case. Esos cordones de extensión están identificados por una marca que dice: "Aceptable para usar con artefactos al aire libre; almacene bajo techo mientras no se usa". Use cordones de extensión que tengan una clasificación nominal que no sea menor que la clasificación nominal del producto. No use cordones de extensión dañados. Antes de usar examine el cordón de extensión y reemplácelo si está dañado. No maltrate el cordón de extensión y no tire del mismo para desconectarlo. Mantenga el cordón de extensión alejado del calor y de bordes aguzados. Antes de desconectar el equipo del cordón de extensión, desconecte siempre el cordón de extensión del receptáculo.



ADVERTENCIA

Mantenga todas las conexiones secas y alejadas de tierra, para reducir el riesgo de electrocución. NO permita que los cordones eléctricos y las conexiones permanezcan en agua o en una posición en la que el agua podría entrar en contacto con ellos. No toque el enchufe con las manos mojadas.



5. NO deje caer el GFCI ya que podría resultar en daños.
6. Para desconectar del tomacorriente, NO tire del cordón eléctrico, NI transporte la unidad por el cordón.
7. Antes de usar inspeccione por daños al cordón eléctrico. Existe un riesgo de choque eléctrico resultante de daño por aplastamiento, corte o calor.
8. **ASEGURESE** siempre que la unidad está recibiendo el voltaje apropiado. Asegúrese que el interruptor está en la posición "OFF", antes de enchufar la unidad a una fuente de potencia compatible. Desconecte cuando no se usa.

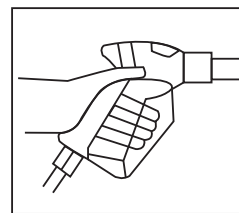
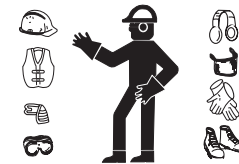
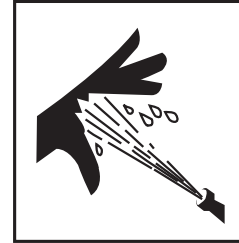
ADVERTENCIAS IMPORTANTES DE SEGURIDAD

9. NO use la unidad en un lugar donde puedan estar presentes vapores inflamables de gas. Una chispa eléctrica puede causar una explosión o incendio.
10. NO dirija el rociado de agua a o dentro de instalaciones eléctricas de ningún tipo. Esto incluye tomacorrientes eléctricos, lámparas eléctricas, cajas de fusibles, transformadores, la unidad misma, etc. Puede ocurrir un choque eléctrico grave.
11. El fabricante no recomienda que el usuario intente ninguna reparación eléctrica a esta unidad.

PRECAUCIONES PARA ROCIADO:

⚠ PRECAUCIONES PARA ROCIADO: ¡PELIGRO! RIESGO DE INYECCION O DE LESIONES GRAVES DE CORTE MANTENGASE ALEJADO DE LA BOQUILLA NO DIRIJA LA CORRIENTE DE DESCARGA A LAS PERSONAS NI A LOS ANIMALES DOMESTICOS DEBEN OBSERVARSE SIEMPRE PRECAUCIONES BASICAS, INCLUYENDO LAS SIGUIENTES:

1. MANTENGASE ALEJADO DEL ROCIADO
 - a. Los fluidos pueden penetrar la piel, causando lesiones graves, a causa de la alta presión y velocidad del rociado.
 - b. Nunca apunte la pistola hacia usted ni hacia otra persona. Nunca coloque su mano, dedos o cuerpo directamente sobre la boquilla de rociado. Mantenga siempre el área de operación despejada de todas las personas. Ejercer una precaución extrema al operar cerca de niños.
 - c. REQUIERA CUIDADO MEDICO DE EMERGENCIA si ocurriera un accidente y el rocío parece haber penetrado la piel. NO LO TRATE COMO UN CORTE SIMPLE. Si usted está usando agentes limpiadores, esté preparado a informar a su médico exactamente de qué clase.
2. SIEMPRE use antiparras protectoras al operar la unidad, para proteger los ojos contra desechos despedidos y detergentes. Otros equipos protectores tales como trajes de goma, guantes y respiradores son recomendables, especialmente al usar detergentes de limpieza. Ejercer una precaución extrema al operar cerca de niños.
3. Esté alerta - observe lo que hace. No opere la unidad cuando esté fatigado o bajo la influencia de alcohol o drogas.
4. NUNCA accione el gatillo a menos que la unidad esté firmemente sujeta. El empuje del agua recorriendo la boquilla puede ser lo suficientemente poderoso como para causar que el operador pierda el equilibrio si no está preparado. NO SE INCLINE ni se pare sobre un apoyo inestable. Las superficies húmedas pueden ser resbalosas, use equipo protector de calzado y manténgase bien parado y en equilibrio en todo momento. NUNCA accione el gatillo de la pistola mientras esté en una escalera o en el techo.
5. NO dirija el rociado hacia materiales frágiles tales como vidrio. El astillado podría resultar en lesiones graves.
6. SIEMPRE sujete firmemente el conjunto de pistola/vara al arrancar y operar la unidad. El no hacerlo puede causar que la vara caiga y azote peligrosamente. NUNCA opere la pistola con el gatillo conectado en la posición abierta. La pistola a gatillo debería estar bien asegurado cuando no se usa, para evitar una descarga accidental.
7. Aun después que apague la unidad, hay agua a alta presión en la bomba, manguera y pistola hasta que la elimine accionando el gatillo. SIEMPRE apague la unidad y accione el gatillo para liberar la presión interna, antes de sacar la boquilla de rociado o reparar la unidad.



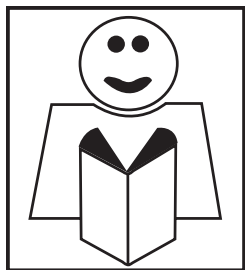
PRECAUCIONES PARA LIMPIEZA CON DETERGENTES:

1. NO use solventes ni detergentes altamente corrosivos, ni limpiadores de tipo ácido con esta lavadora a presión. Use detergente suave solamente.

ADVERTENCIAS IMPORTANTES DE SEGURIDAD

2. ¡CONOZCA SUS DETERGENTES! En el caso de una emergencia, esté preparado a informar al médico exactamente lo que usted está usando. Lea La Hoja de Datos de Seguridad del Material (MSDS) provista con su detergente suave y todas las etiquetas de los detergentes. Observe todas las instrucciones apropiadas acerca de la preparación, uso, seguridad y transporte. Mantenga TODOS los detergentes fuera del alcance de los niños.
3. NO use esta lavadora a presión para dispensar detergentes riesgosos.
4. NO altere de ninguna manera no recomendada en este manual la característica de inyección de detergente. Para las reparaciones necesarias use piezas genuinas de repuesto solamente.

PRECAUCIONES MISCELANEAS DE SEGURIDAD:



1. ¡NUNCA PERMITA QUE LOS NIÑOS O ADOLESCENTES OPEREN ESTA UNIDAD!
2. Lea y observe todas las instrucciones de manejo, funcionamiento, mantenimiento y seguridad incluidas en este manual y facilite esta información a TODAS LAS PERSONAS que operarán esta unidad.
3. Esta lavadora a presión está provista de un Interruptor de Circuito de Falla a Tierra (GFCI) integrado en el enchufe del cordón de suministro eléctrico. Use sólo piezas idénticas de repuesto que incluyan protección de GFCI, si fuera necesario reemplazar el cordón.
4. La unidad debe estar suficientemente caliente como para asegurar que no haya formación de hielo en la bomba, a temperaturas de congelación. NO arranque esta unidad si ha sido transportada en un vehículo abierto o sin suficiente calefacción, sin permitir primero que la bomba se descongele.
5. Deben observarse los reglamentos locales de su compañía de agua, al conectar la entrada de agua a las cañerías maestras de agua. En algunas áreas la unidad no debe conectarse directamente al suministro público de agua potable. Esto es para asegurar que no haya realimentación de los detergentes al suministro de agua. (Se permite la conexión directa si se instala un supresor del flujo de retroceso.)
6. Las mangueras de alta presión deberían inspeccionarse diariamente por señas de desgaste. Si existe evidencia de falla, reemplace rápidamente todas las mangueras sospechosas para evitar la posibilidad de lesiones ocasionadas por rociado a alta presión. Si una manguera o adaptador está perdiendo, NUNCA coloque su mano directamente sobre la pérdida.
7. NO opere la unidad si ve pérdidas de aceite de la bomba o agua de la máquina. NO reanude la operación hasta que la unidad haya sido inspeccionada y reparada por una persona calificada de servicio.
8. No opere la unidad sin todas las cubiertas protectoras en su sitio.
9. NO deje desatendida la unidad presurizada. Apague la unidad y descargue la presión interna antes de alejarse.
10. NO deje sin atención la unidad presurizada. Apague la unidad y descargue la presión atrapada antes de alejarse.
11. NO mueva la unidad tirando de la manguera.

PRECAUCIONES DE AJUSTE:

1. NUNCA altere ni modifique el equipo, asegúrese que todos los artículos accesorios y los componentes del sistema que se usan resistirán la presión desarrollada. Use SOLO piezas genuinas para reparar su lavadora a presión. El no hacerlo puede causar condiciones operativas riesgosas y cancelará la garantía.
2. NUNCA efectúe ajustes a la máquina mientras esté conectada al motor, sin sacar primero el cable de encendido de la bujía. El girar la máquina a

ADVERTENCIAS IMPORTANTES DE SEGURIDAD

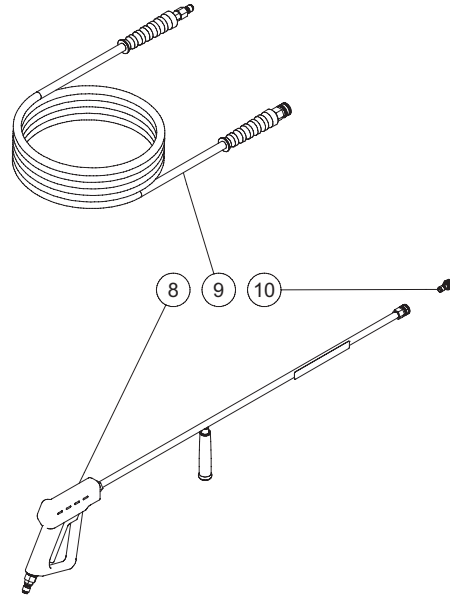
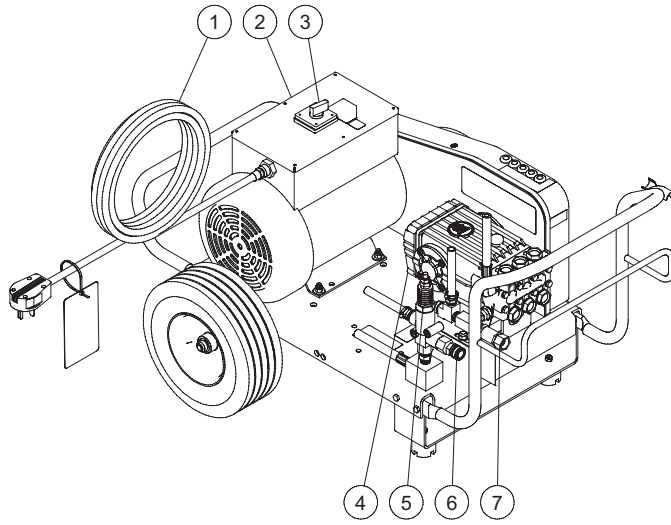
mano durante el ajuste o la limpieza podría arrancar el motor y la máquina, lo que causará lesiones graves al operador.

3. Sepa cómo detener la lavadora a presión y purgar las presiones rápidamente. Esté completamente familiarizado con los controles.
4. Apague la unidad, desconéctela de la red eléctrica, elimine la presión de agua, y permita que la unidad se enfríe, antes de repararla. Preste servicio en un área limpia, seca y plana. Para evitar que la unidad se mueva, bloquee las ruedas.
5. Observe las instrucciones de mantenimiento especificadas en este manual.

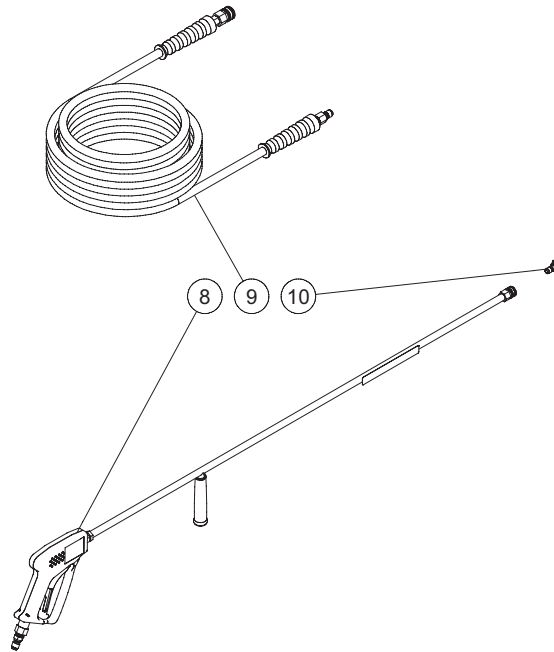
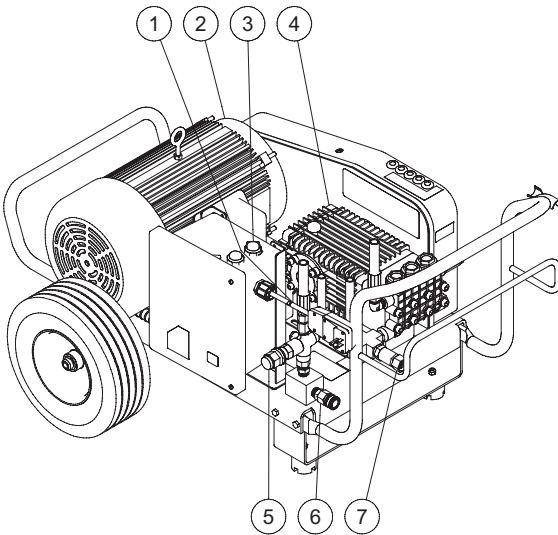
 **¡GUARDE ESTAS INSTRUCCIONES!** 

ELEMENTOS Y COMPONENTES

CW ELECTRIC 7.5-8HP FEATURES 120717



CW ELECTRIC 10-15HP FEATURES 120717

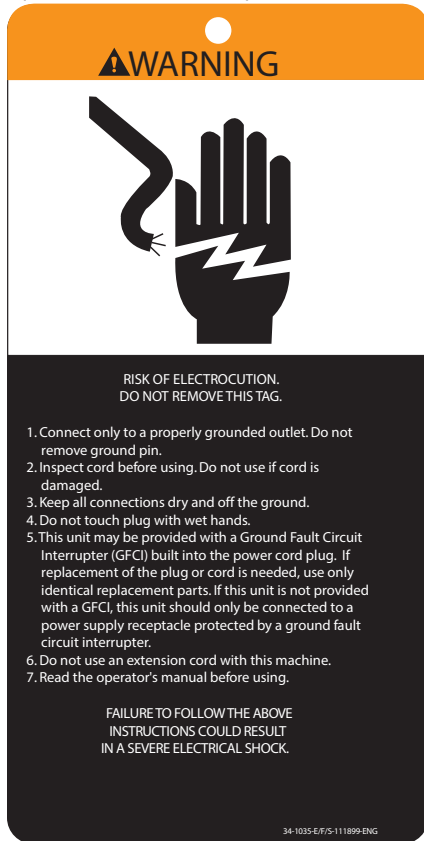


LISTA DE LOS ELEMENTOS Y COMPONENTES

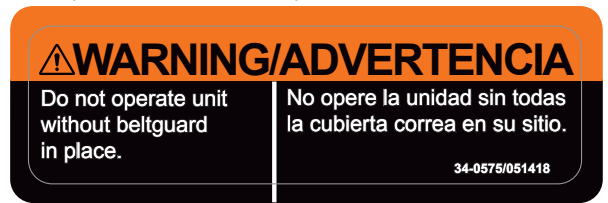
1. Cables w/GFCI 35 pies (Para las unidades singulares fases)
2. Motor
3. Interruptor (Para las unidades singulares fases)
4. Bomba
5. Descargador
6. Salida de agua
7. Entrada de agua
8. Conjunto del la pistola
9. Manguera de descarga de alta presión
10. Acoples Rapidos Boquilla

CALCOMANIAS DE SEGURIDAD Y UBICACION

Calcomanía: Advertencia-Riesgo de Electroccion
(Pieza No. 34-1035)



Calcomanía: Advertencia- Correa Cubierta
(Pieza No. 34-0575)



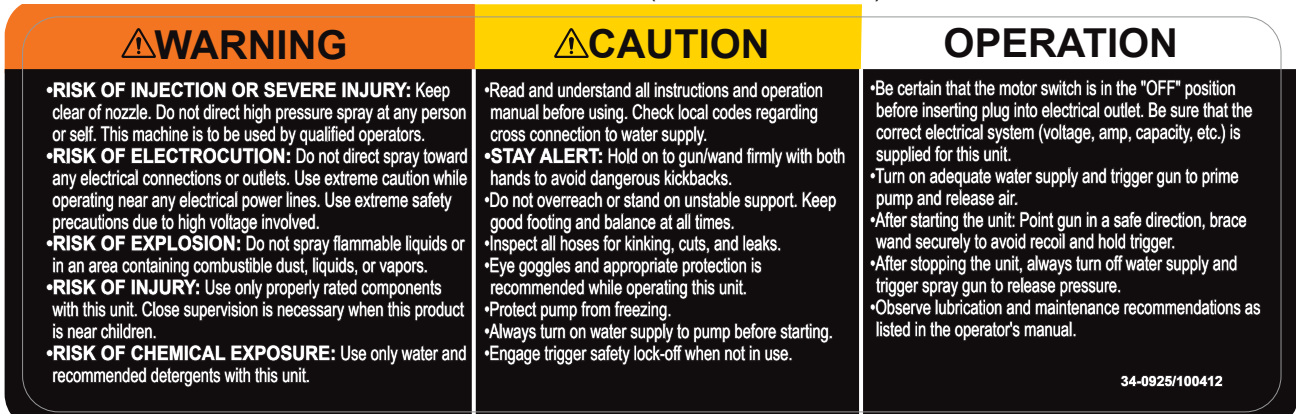
Calcomanía: No permita atomizador
(Pieza No. 34-0391)



Calcomanía: Advertencia: Riesgo de inyección (Pieza No. 34-1253)



Calcomanía: Declaraciones de Advertencia/Precaución (Pieza No. 34-0925)



INSTALACION Y PREPARACION



PROTECCIÓN PERSONAL:

Ponerse la protección personal adecuada es vital para la propia seguridad. Se recomienda utilizar lo que sea necesario para protegerse los ojos, oídos y piel. Es posible que se necesite aditamentos adicionales de seguridad (como la mascarilla de respiración) al aplicar agentes limpiadores detergentes con esta lavadora.

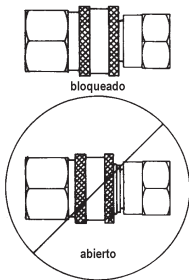
PREPARACIÓN:

⚠ PELIGRO RIESGO DE EXPLOSION! NO COLOQUE LA UNIDAD EN UN AREA DONDE PUEDAN ESTAR PRESENTESE VAPORES INFLAMMABLES. UNIA CHISPA PODRIA CAUSAR UNA EXPLOSION.

RIESGO QUE LA UNIDAD REVIENTE! NO ALMACENE/OPERE LA UNIDAD EN U ABIENTE HELADO.

1. Esta unidad sólo debe colocarse en una superficie a nivel para asegurar una lubricación adecuada de la bomba de agua durante el funcionamiento. NUNCA rocíe agua directamente en la unidad.
2. No use la unidad en áreas:
 - a. donde existan señales de fugas de aceite o combustible.
 - b. donde pueda haber presencia de vapores de gases inflamables.
3. No exponga la unidad a la lluvia, nieve o temperaturas de congelación. Si se congela alguna parte de la unidad, puede acumularse presión excesiva, la cual puede causar que reviente la unidad y se produzcan lesiones graves al operador y a los circunstantes.
4. Debe revisarse el nivel de aceite de la bomba. Asegúrese de que el aceite llegue a la marca de "lleno" de la vara de nivel o del centro de la mirilla de nivel del aceite. Si parece bajo el nivel, llene el tanque con aceite para bomba SAE20 o 30 no detergente.

CONEXION DE LAS BOQUILLAS DE CONEXION RAPIDA

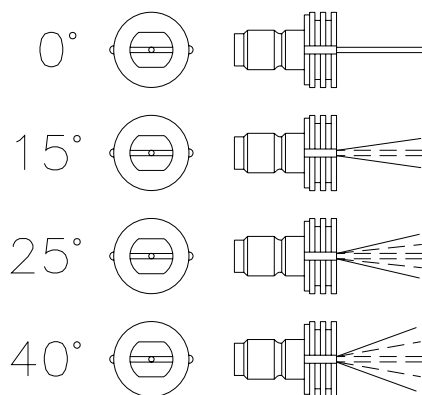


BOQUILLA DE CONEXION RAPIDA:

⚠ PELIGRO ¡RIESGO DE ELECTROCUCIÓN! ESTA UNIDAD DEBE CONECTARSE A UNA TOMA DE CORRIENTE CON LA DEBIDA CONEXIÓN A TIERRA. NO USE NINGÚN ADAPTADOR NI ELIMINE EL CONTACTO DE TIERRA.

Pueden conectarse rápidamente varias boquillas al extremo de la vara para cambiar el patrón de rociado o para usar la característica de detergente. Asegúrese que la conexión está seguramente calzada, al usar los conectores rápidos (C.R.). En caso contrario el agua a alta presión puede despedir la boquilla de la vara, causando lesiones graves o daños importantes. Refiérase al número estampado en la boquilla, para determinar el patrón de abanico del rociado. Los primeros dos dígitos indican el patrón de rociado en grados, por ej.: 00=0°, 15=15°, 25=25°, 65=detergente/baja presión.

BOQUILLAS DE CONEXION RAPIDA (C.R.)



1. Boquilla de 0° (ROJA): Esta es una boquilla de disparo que emite una corriente muy concentrada de agua. Debería ejercerse cuidado para evitar rayar la madera o dañar superficie frágiles. Usos: eliminación de malas hierbas de las grietas de las aceras, manchas resistentes del concreto, mampostería, aluminio y acero, lodo endurecido en equipos, y para limpiar el fondo de las cortadoras de césped.
2. Boquilla de 15° (AMARILLA): Esta es una boquilla biselada. El rociado debería dirigirse a un ángulo de 45° sobre la superficie y usarse como un raspador para sacar pintura, grasa y suciedad. Usos: preparación de superficies (eliminación de manchas de moho y escamas de pintura).
3. Boquilla de 25° (VERDE): Esta es una boquilla de limpieza por descarga de agua. Este patrón es más apropiado para limpiar suciedad, lodo, y hollín.

INSTALACION Y PREPARACION

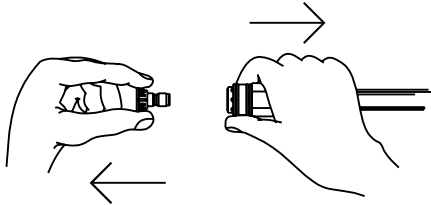
Usos: Barrido en mojado de senderos, cordones de las aceras y entradas de garages, limpieza de suelos de los establos, lavado de los fondos de las piscinas de natación, desengrasado de motores.

4. Boquilla de 40° (VERDE): Esta es una boquilla de lavado. Este patrón de rociado amplio dispersa la presión de agua sobre un área grande y se recomienda para un lavado moderado. Usos: Lavado de recubrimientos de aluminio de paredes limpieza de ventanas, lavado de vehiculos, rociado de aceras, entradas de garages, y patios, limpieza de techos.

CONEXION DE LA BOQUILLA:

1. Asegúrese que la pistola a gatillo esté asegurada en la posición "OFF" (DESCONECTADO). Vea la ADVERTENCIA, a la derecha.

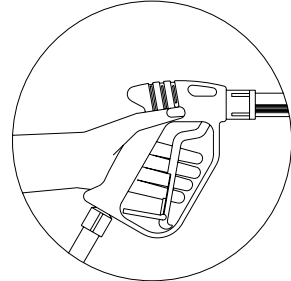
⚠ ADVERTENCIA ¡RIESGO DE LESIONES GRAVES! ¡CUANDO NO SE USA, LA PISTOLA A GATILLO DEBERIA ESTAR SIEMPRE ASEGURADO EN LA POSICION DESCONECTADO!



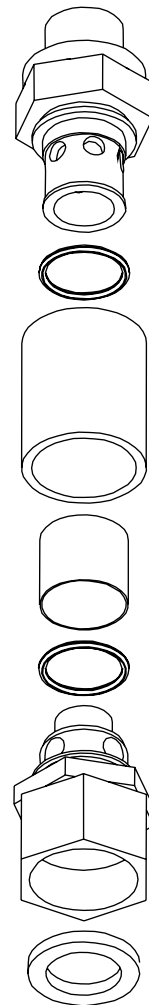
2. Retraiga el anillo de cierre sobre el adaptador de conexión rápida para sacar la boquilla.

SUMINISTRO DE AGUA:

1. Seleccione una manguera de suministro de agua que sea de calidad de manguera de jardín que mida 3/4" de DI por lo menos y que no sea más larga que 50 pies.
2. Inspeccione el tamiz de entrada de agua para asegurar que esté limpio y libre de obstrucciones. La limpieza periódica del tamiz de agua ayudará a prevenir problemas con la bomba. El tamiz restringe el flujo apropiado de agua a la bomba, a medida que se obstruye. Esto puede resultar en cavitaciones que causarán la falla prematura de los empaques de las bombas.
 - a. Retire el tamiz de la unidad, usando un destornillador.
 - b. Si fuera necesario, limpie o reemplace.
3. Connect la manguereras:
 - a. Conecte un extremo de la manguera de suministro de agua a la entrada de agua de la unidad.
 - b. Conecte el otro extremo de la manguera a su suministro presurizado de agua.
 - c. Efectúe la conexión de la manguera de descarga de alta presión a la salida de agua de la unidad.
 - d. Manguera de alta presión de la descarga al arma.
4. Siga los requerimientos de agua entrante listados abajo:
 - a. La presión de agua debe estar a un mínimo de 40 libras por pulgada cuadrada (PSI) y un máximo de 125 PSI. (Un grifo típico al aire libre suministrará generalmente estas PSI si está completamente ABIERTO).
 - b. Los GPM (galones por minuto) entrantes deben ser ser 1 galón más aproximadamente que los GPM salientes deben indicados en la placa de nombre de la lavadora a presión. (Usted puede inspeccionar los GPM observando el tiempo requerido para llenar un recipiente de 5 galones.)
 - c. La temperatura del agua de entrada no debe exceder 125°F. Puede



REVISAR COLADORA
ENTRADA DE AGUA



INSTALACION Y PREPARACION

resultar un daño excesivo a la bomba si la temperatura del agua excede este nivel aceptable.

5. Nunca permita que la unidad opere sin que esté conectada la tubería de agua de entrada y el suministro de agua completamente abierto.

DESCARGADOR:

Usted puede ajustar la presión, si el descargador de su máquina está equipado con una perilla de ajuste. Si se requiere menos presión, simplemente gire la perilla de ajuste en sentido contrario a las agujas del reloj. Para retornar al máximo, gire completamente la perilla de ajuste en el sentido de las agujas del reloj. ¡NO AJUSTE EN EXCESO!



PRECAUCION ¡RIESGO DE DAÑO A LA UNIDAD! NO AJUSTE EN EXCESO EL DESCARGADOR. LA ROTURA RESULTARA EN UNA PERDIDA INMEDIATA DE PRESION DE AGUA Y REPARACIONES COSTOSAS.

¡Si el descargador no tiene una perilla ajustable, no ajuste la presión en sus el propios! La presión se ha preestablecido en la fábrica y se debe ajustar solamente por un representante/delegado técnico entrenado.

VALVULA DE DESCARGA TERMICA:

Nunca permita que la lavadora a presión opere en el modo de derivación durante más de tres minutos (con la unidad funcionando y la pistola a gatillo cerrado), para asegurar que la temperatura del agua no exceda niveles aceptables.

Se ha agregado una válvula de descarga térmica a esta unidad para proteger la bomba. Puede comenzar a abrirse y permitir la salida de agua si la temperatura del agua en la bomba ha excedido los 140°F. Esto permitirá que agua fresca y fría entre al sistema.

CONEXIÓN DEL CABLE DE ALIMENTACIÓN ELÉCTRICA:



ADVERTENCIA ¡RIESGO DE ELECTROCUCIÓN! ESTA UNIDAD DEBE CONECTARSE A UNA TOMA DE CORRIENTE CON LA DEBIDA CONEXIÓN A TIERRA. NO USE NINGÚN ADAPTADOR NI ELIMINE EL CONTACTO DE TIERRA.

1. El interruptor debe estar en la posición de apagado (OFF).
2. La fuente de voltaje debe ser idéntica a las especificaciones indicadas en la placa de datos de la lavadora.
3. Si esta lavadora a presión cuenta con un Interruptor de circuito de falla a tierra (Ground Fault Circuit Interrupter, GFCI) incorporado en el enchufe o en el cordón de alimentación, pruebe el GFCI siempre que se enchufe en un tomacorriente según las instrucciones del GFCI. NO use la lavadora a presión si falla la prueba!
4. Debe mantenerse seca el área existente entre la lavadora de chorro a presión y la toma de corriente.
5. Inserte la clavija en una toma de corriente alterna (CA). ¡¡NO use adaptadores NI retire la clavija de conexión a tierra!!

PROCEDIMIENTOS DE INSPECCION DE PREARRANQUE:

Efectúe los procedimientos siguientes antes de arrancar la unidad:

1. Inspeccione el nivel de aceite en la bomba y en el motor.
2. Inspeccione el tamiz de entrada de agua. Limpie o reemplace si fuera necesario. Vea "Suministro de agua", #2.
3. Inspeccione todas las conexiones de las mangueras para asegurar que

INSTALACION Y PREPARACION

estén bien ajustadas. Vea “Suministro de agua”, #3.

4. Inspeccione por pérdidas de combustible del sistema. Asegúrese que se reemplacen todas las piezas dañadas y que se corrijan todos los problemas mecánicos antes de operar la unidad. Consulte con el Servicio al Cliente de, si usted requiere servicio.
5. Inspeccione las mangueras de alta presión por dobleces, cortes y pérdidas. Asegúrese que se reemplacen todas las piezas dañadas y que se corrijan los problemas mecánicos antes de operar la unidad. Consulte con el Servicio al Cliente, si usted requiere servicio.
6. Inspeccione los cordones electricos para cortes. Si encuentre unos cortes, NO TOQUÉ NI USE CORDÓN! Antes de arrancar reponza el cordon.



**LAS PAGINAS SIGUIENTES CONTIENEN INSTRUCCIONES DE OPERACION Y
MANTENIMIENTO**

**NO TRATE DE OPERAR ESTA LAVADORA A PRESION HASTA QUE HAYA LEIDO Y
ENTENDIDO TODAS LAS PRECAUCIONES E INSTRUCCIONES DE SEGURIDAD LISTADAS
EN ESTE MANUAL.**

¡¡LA OPERACION INCORRECTA DE ESTA UNIDAD PUEDE CAUSAR LESIONES GRAVES!!

¡¡DE NINGUNA MANERA ALTERE O MODIFIQUE ESTE EQUIPO!!

INSTRUCCIONES DE OPERACION

CEBADO DE LA BOMBA:

1. Es esencial cebar la bomba en el arranque inicial y cada vez que se desconecta el suministro de agua de la unidad después del uso inicial.
2. Despliegue la manguera de alta presión para eliminar los dobleces. El flujo de agua endurecerá la manguera, creando bucles rígidos si la manguera no está recta.

NOTA: El conector de la boquilla NO debería conectarse al conjunto de la pistola en este momento. Vea "Conexión de la boquilla".

3. Abra completamente el suministro de agua, con la pistola a gatillo asegurado en la posición "OFF". Suelte el seguro de la pistola a gatillo y accione este último, apuntando la pistola en una dirección segura.
4. Comenzará a fluir agua a baja presión del conjunto de manguera/pistola. Esto permite que la unidad se cebe y purgue todo el aire del sistema. Esta unidad está cebada cuando el flujo de agua no esté interrumpido por el aire.



ADVERTENCIA ¡RIESGO DE INYECCION CAUSANTE DE LESIONES GRAVES! ¡MANTENGASE ALEJADO DE LA BOQUILLA! ¡NUNCA COLOQUE LA MANO NI LOS DEDOS ENFRENTA DE LA BOQUILLA! ¡NO DIRIJA LA CORRIENTE DE DESCARGA HACIA LAS PERSONAS O LOS ANIMALES DOMESTICOS! ¡PARA PREVENIR UNA DESCARGA ACCIDENTAL ASEGURESE QUE EL CONJUNTO DE LA BOQUILLA AJUSTABLE ESTE SEGURAMENTE CONECTADO A LA VARA!

5. Suelte el gatillo y asegure la pistola en la posición "OFF", una vez que la unidad esté cebada. Conecte seguramente el conjunto de la boquilla. (Vea "Conexión de la boquilla")

ARRANQUE:

1. Refiérase a las "Precauciones de seguridad" antes de arrancar la unidad.
2. Ubique las calcomanías de seguridad en su unidad y obedezca sus advertencias.
3. Apunte la pistola a gatillo alejado de usted o de cualquier otra persona, con el mismo asegurado en la posición "OFF". Asegúrese que el suministro de agua esté completamente abierto.
4. Desenganche el seguro de la pistola y accione el gatillo. Comenzará a fluir agua a baja presión de la boquilla.
5. Afírmese ya que la pistola retrocederá violentamente a causa de la alta presión causada por la bomba una vez que haya arrancado el motor.
6. Mueva el interruptor On/Off a la posición "ON". Este interruptor incluye un interruptor de circuitos para la protección del motor. El interruptor de circuito moverá automáticamente el interruptor a la posición "OFF", en caso de carga excesiva. Para volver a arrancar, mueva nuevamente el interruptor On/Off a la posición "ON".
7. Efectúe los procedimientos siguientes una vez que haya arrancado el motor con la pistola en la posición abierta:
 - a. Inspeccione por pérdidas de aceite y de agua del sistema. ¡APAGUE INMEDIATAMENTE LA UNIDAD, si encuentra una pérdida! Antes de operar la unidad, asegúrese que se hayan reemplazado todas las piezas dañadas y que se hayan corregido todos los problemas mecánicos. Consulte con el Servicio, si usted requiere servicio.
 - b. Inspeccione las mangueras de alta presión por dobleces, cortes y pérdidas. ¡¡¡NO TOQUE LA MANGUERA EN LA PERDIDA, si encuentra un corte o una pérdida!!! ¡APAGUE INMEDIATAMENTE LA UNIDAD! Antes de arrancar nuevamente la unidad, reemplace la manguera. Antes de operar la unidad, asegúrese que se hayan reemplazado todas

INSTRUCCIONES DE OPERACION

las piezas dañadas y que se hayan corregido todos los problemas mecánicos. Consulte con el Servicio, si usted requiere servicio.

- c. Inspeccione el cordón eléctrico por cortes. ¡NO TOQUE NI USE EL CORDON ELECTORCO, si se halla un corte! Reemplace el cordón antes de arrancar la unidad. Consulte con el Servicio al Cliente si usted requiere servicio.
8. ASEGURE la pistola a gatillo en la posición "OFF" siempre que cambie las boquillas de conexión rápida. ¡NUNCA mire directamente en la boquilla! ¡El agua a alta presión crea un riesgo de lesiones graves!
9. No permita que la unidad funcione en un modo de derivación (con el gatillo cerrado) por más de tres minutos sin accionar el gatillo de la pistola. El no seguir esta simple regla puede causar la falla prematura de los sellos del empaque de la bomba, resultando en una reparación costosa a la misma.
10. Puede haber muchas tareas de limpieza que pueden efectuarse sin el uso de detergentes, a causa que la lavadora a presión suministra un rociado a alta presión y una variedad de patrones de rociado. Vea "Limpieza con detergentes", para los procedimientos correctos, si se requiere un agente de limpieza.

⚠ PRECAUCION RIESGO DE DAÑO NO DIRIJA CONTINUAMENTE EL PATRON DE ROCIADO EN UNA SECCION DE LA SUPERFICIE DURANTE UN PERIODO PROLONGADO DE TIEMPO. PUEDEN OCURRIR POSIBLES DAÑOS.

LIMPIEZA CON DETERGENTES (CARACTERÍSTICA OPCIONAL):

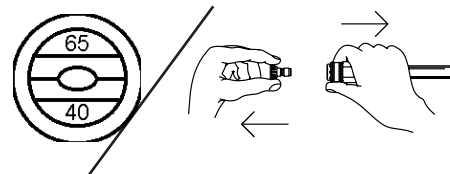
La característica detergente de la inyección es una característica opcional en esta unidad. Si usted desea agregar esta característica a su unidad, ordene # AW-8300-0000.

1. Refiérase a las "Precauciones de limpieza con detergentes", y el manual detergente de la inyección que acompaña la parte # AW-8300-0000. Asegúrese de usar vestimenta protectora de seguridad según lo mencionado.
2. Prepare la solución de detergente de acuerdo con las instrucciones del rótulo. Nunca bombee ácidos, alcalinos, fluidos abrasivos o solventes a través de la unidad.
3. Conecte el inyector detergente con la unidad según lo dirigido en el manual detergente del inyector que acompaña su unidad.
4. Ajuste la cantidad de detergente deseada rotando la perilla del ajuste en el montaje del inyector a la izquierda. Dé vuelta a la perilla totalmente a la izquierda al sistema en la tarifa máxima del sifón
5. Sumerja el tamiz dentro de la solución del detergente para permitir que este último circule por sifón.
6. Usando el conector rápido, conecte bien la boquilla de rociado de detergente (#6540° NEGRA) al extremo de la vara, con la pistola a gatillo asegurado en la posición "OFF".

NOTA: Este sistema de inyección está diseñado para aplicar detergentes a baja presión solamente. No permitirá que se introduzcan soluciones de detergente en el sistema a menos que la boquilla del detergente esté instalada en la vara.

7. Desenganche la pistola a gatillo y accione el gatillo, para aplicar la solución. Una mezcla de detergente/agua saldrá de la boquilla de baja presión en unos pocos momentos. Comience rociando la porción inferior de la superficie que está siendo limpiada y muévase hacia arriba usando pasadas largas superpuestas. El aplicar desde abajo hacia arriba ayuda a evitar el estriado. Permita que se empape brevemente. (Para minimizar la posibilidad de que se seque el detergente, lo que puede resultar en daños a las superficies pintadas, evite trabajar sobre superficies calientes o bajo la luz directa del sol.) Asegúrese de enjuagar una sección pequeña por vez.

CONEXION RAPIDA PARA DETERGENTES



INSTRUCCIONES DE OPERACION

8. Para enjuagar: asegure la pistola a gatillo en la posición “OFF”, y usando el conector rápido, conecte seguramente la boquilla de alta presión al extremo de la vara. Desenganche la pistola a gatillo y rocíe. Llevará 30 segundos aproximadamente purgar todo el detergente de la tubería. Comience en la parte superior y trabaje hacia abajo, para obtener los mejores resultados del enjuague.
9. Después de cada uso, extraiga por sifón un galón de agua del sistema de inyección de detergente a baja presión. Esto evita la posibilidad de corrosión o de que el residuo de detergente cause problemas mecánicos durante el próximo uso.

APAGADO:

1. Para apagar la unidad, mueva el interruptor On/Off a la posición “OFF”.
2. CIERRE el suministro de agua.
3. Accione momentáneamente el gatillo de la pistola para descargar toda la presión interna, apuntando la pistola en una dirección segura. Desconecte el conjllunto de la boquilla, una vez que se haya eliminado la presión.
4. Desconecte la unidad de la fuente de potencia.
5. Drene la pistola, la vara y las mangueras. Desconecte las mangueras, una vez drenado.
6. Limpie la unidad con un paño y almacene con la pistola, la vara y las mangueras en un área segura.

ALMACENAMIENTO Y MANTENIMIENTO

MANTENIMIENTO ESPECIFICO:

BOMBA: El aceite de la bomba debe ser cambiado después de las primeras 25 horas de operación en todas las unidades. Se recomienda intervalos de 250 horas, después de la carga inicial. Pueden requerirse cambios con mayor frecuencia, si el aceite parece sucio o lechoso. Use aceite para bombas de SAE20 o 30 no detergente y llene sólo hasta la marca en el vidrio. NO llene en exceso.

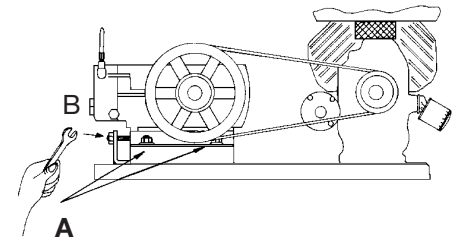
BOQUILLAS: El agua que fluye a través de la boquilla de rociado de conexión rápida desgastará y agrandará el orificio, resultando en una pérdida de presión. Deberían reemplazarse las boquillas siempre que la presión sea menor que el 85% del máximo. La frecuencia de reemplazo dependerá de tales variables tales como el contenido mineral en el agua y el número de horas que se usa la boquilla.

ACOPLES RAPIDOS: Hay un sello del anillo en O dentro de acople rápido hembra en la salida de agua de su unidad. Este anillo en O se deteriorará, o se saldrá de lugar si se permite que la unidad bombee sin la manguera de alta presión. Simplemente inserte un anillo de repuesto para corregir la pérdida.

AJUSTE DE TENSION DE CORREAS: Para mantener la máxima eficiencia de su lavadora de alta presión, puede ser necesario ajustar la tensión de las correas ocasionamente. Siga el procedimiento que se describe a continuación.

1. Quite el protector de correas y afloje las tuercas que están a los lados de la bomba (Referencia A). Hay un total de 4 tuercas.
2. Gire el tornillo (Referencia B) en el sentido de las manecillas del reloj hasta observar que la correa se flexiona una 1/2 pulgada (1,3 cm) entre las poleas.
3. Apriete las tuercas laterales (Referencia A).
4. Ponga una regla tocando el costado de ambas oleas. Si es necesario, afloje los tornillos de una polea y muévela hacia adentro o hacia afuera para que quede correctamente alineada. Apriete los tornillos de la polia y verifique otra vez la tensión.
5. Vuelva a poner la protección y apriete los sujetadores firmemente.

AJUSTE DE TENSION DE CORREAS



PREPARACION PARA EL INVIERNO:

Será necesario preparar esta unidad para el invierno, para fines de Almacenamiento y transporte en temperaturas ambiente inferiores al punto de congelación. Esta unidad debe protegerse contra la temperatura más baja incurrida por las siguientes razones:

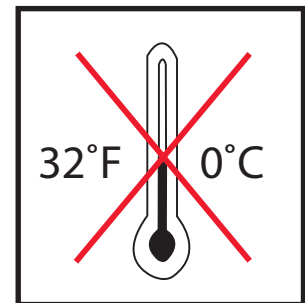
1. Si se congela cualquier parte del sistema de bombeo puede acumularse una presión excesiva en la unidad, lo que podría causar que la misma reviente resultando en lesiones posibles graves al operador o a los observadores.

⚠ ADVERTENCIA ¡RIESGO QUE LA UNIDAD REVIENTE! ¡NO ALMACENE/OPERE LA UNIDAD EN UN AMBIENTE HELADO!

2. El sistema de bombeo de esta unidad puede resultar dañado permanentemente si se congela. LOS DAÑOS POR CONGELACION NO ESTAN CUBIERTOS POR LA GARANTIA.

Usted puede proteger su unidad siguiendo el procedimiento indicado abajo, si debe almacenarla en un lugar donde la temperatura puede descender por debajo de los 32°F.

1. Reúne los artículos siguientes:
 - a. Dos recipientes de 5 galones.
 - b. Un galón de anticongelante. (El fabricante recomienda un anticongelante seguro para el medio ambiente.)



ALMACENAMIENTO Y MANTENIMIENTO

- c. Suministro de agua.
 - d. Una manguera de tres pies de largo con un D.I. de 1/2-3/4 y con un adaptador macho de manguera de jardín de 3/4 de pulgada.
2. Procedimiento:
- a. Después de hacerla funcionar y cebarla.
 - b. Elimine la presión del sistema apuntando la pistola a gatillo hacia una dirección segura y accionando el gatillo hasta que el flujo de agua cese de salir por la boquilla.
 - c. Asegure la pistola a gatillo en la posición OFF y retire la boquilla.
 - d. En un recipiente de cinco galones, mezcla el anticongelante y agua según las recomendaciones del fabricante para la temperatura lo que está preparando para el invierno.

NOTA: La preparación apropiada para el invierno está basada en las instrucciones recomendadas del fabricante incluidas en la "Tabla de Protección" mostrada en el rótulo posterior de la mayoría de los recipientes de anticongelantes.

- e. Retire la manguera de suministro de agua de la unidad y fije seguramente la manguera de 3 pies a la conexión de entrada. Sumerja el otro extremo de la manguera del anticongelantes.
 - f. Apunte la vara hacia el recipiente vacío.
 - g. Accione el gatillo de la pistola hasta que el anticongelante comience a salir por la vara. Suelte el gatillo por 3 segundos, a continuación accione el gatillo de la pistola por 3 segundos. Continúe ciclando la pistola varias veces hasta que toda la mezcla anticongelante es extraída del recipiente por la acción de sifón.
 - h. Separe la manguera de 3 pies de la unidad y drene todo el exceso restante de anticongelante dentro del recipiente de 5 galones.
 - i. Desconecte el conjunto de manguera/pistola/vara de la unidad y drene todo el exceso restante de anticongelante dentro del recipiente de 5 galones.
 - j. Almacene la manguera, la pistola y vara junto con la unidad, en un lugar seguro.
 - k. Almacene la solución anticongelante para un uso ulterior o descártela de acuerdo con las leyes de protección del medio ambiente correspondientes.
3. Procedimiento opcional:
- a. Apague la unidad y corte el suministro de agua.
 - b. Elimine la presión del sistema apuntando la pistola a gatillo hacia una dirección segura y accionando el gatillo hasta que el flujo de agua cese de salir por la boquilla.
 - c. Desconecte y drene la manguera, la pistola y la vara.
 - d. Arranque la unidad y permita que funcione hasta que toda el agua salga de la misma. Apague una vez que el agua ha cesado de fluir de la unidad.

NOTA: Debe ejercerse precaución al usar este procedimiento, ya que pueden formarse plaquitas de hielo de las gotas de agua, lo que podría causar que la unidad reviente si se arranca antes de estar completamente descongelada.

LOCALIZACION DE FALLAS

SINTOMA	CAUSA PROBABLE	SOLUCION
El motor de la bomba no arranca o se apaga durante el funcionamiento.	GFCI activado o no se volvió a ajustar	Apague la unidad. Oprima el botón de reposición del GFCI después que se ha enchufado a la fuente eléctrica.
	Interruptor de circuito activado o circuito quemado fusibles. en la caja de	Desconecte todos los otros enchufes del circuito que está siendo usado y reponga el interruptor de circuito inspeccione y reemplace el fusible.
	Enchufe flojo o desconectado.	Vuelva a conectar el enchufe
	Disyuntor disparado en la unidad.	Deje que se enfríe y reinicie la unidad.
	La unidad están congelados.	Permita que se descongele. Si alguna parte de la unidad se congela, es posible que se acumule la presión, lo cual podría ocasionar que la unidad reviente y consecuentemente provoque lesiones graves al operador o las personas que se encuentren alrededor.
Se activa el interruptor de circuito o se quema el fusible en la caja de fusibles	Sobrecarga del circuito.	Verifique que el circuito esté clasificado a 15 amperios o más. Desconecte todos los enchufes en el circuito.
	El cordón de extensión es demasiado largo o el conductor es demasiado	Observe los requerimientos eléctricos correctos indicados en la pág. 42.
Se activa el GFCI.	Voltaje incorrecto.	Asegúrese que el suministro eléctrico sea de 120 Voltios/15 Amperios/60 Hertz/Monofásico.
	Corto circuito interno.	Consulte con el Centro de Servicio.
El motor funciona pero no hay descarga en la boquilla cuando se acciona el mecanismo del gatillo.	Suministro inadecuado de agua.	Asegure que la manguera tenga ¾" de diámetro y que esté abierto el suministro de agua entrante.
	Doblez en la manguera de entrada de agua	Elimine el doblez.
Presión baja o fluctuante.	Doblez en la manguera de descarga de alta presión.	Reemplace la manguera.
	Está obstruido el tamiz de la entrada de agua.	Retire el filtro, limpie o reemplace.
	La bomba absorbe aire (eliminado elcebadado).	Ajuste todas las conexiones de toma de agua. Elimine pérdidas en la línea de toma.
	La boquilla de detergente (6540/negra) está conectada a la varilla	Inserte la boquilla de alta presión.
	Orificio obstruido o gastado	Retire y limpie, o reemplace.
	La válvula de derivación no está funcionando correctamente.	Retire y limpie, o reemplace
	Empaques de la bomba desgastados.	Cambie los empaques.
	La válvula de derivación no está funcionando correctamente.	Repárelos o cámbielos
Hay una fuga de agua por la válvula de descarga de calor.	Temperatura o presión del agua de muy alta.	No deje a la unidad trabajar en modo desviación (con la pistola cerrada) más de 5 minutos.
	Válvula defectuosa.	Cámbiela
Aceite lechoso o espumoso.	Hay agua en el aceite.	Cambie el aceite de la bomba. Llénela al nivel adecuado.

LOCALIZACION DE FALLAS

SYMPTOM	PROBABLE CAUSE	REMEDY
Fuga de aceite en la unidad..	NO UTILICE!!	Hable al dep. de servicio al cliente.
El detergente no fluirá por sifón en el modo de detergente a baja presión.	El tamiz de detergente no está completamente sumergido en la solución de detergente.	Inspeccione; sumerja si fuera necesario.
	El tamiz del detergetne está obstruido	Inspecciione, limpie o reemplace.
	La manguera de detergente está obstruida o cortada.	Inspecciione, limpie or reemplace.
	Perilla de ajuste de deterg. está en cerrada	Abra la perilla.
	Inyector detergente (6540°/Negro) no está conectado con la varita.	Inserte rápido correcto conectan el inyector
	La boquilla del detergente está taponado	Limpie o reemplace.
	Hay demasiadas extensiones de las mangueras de alta presión conectadas a la salida de agua.	Use una extensión como maximo.
	Están atascados la bolilla y el resorte del Venturi.	Retire, limpie o reemplace.
El flujo de agua retrocede al recipiente del detergente.	La esfera y el resorte en el Venturi están invertidos, faltano están desgastados.	Retire, limpie o reemplace.
Cuando la pistola de gatillo está asegurado en la posición "OFF", el agua fluye desde la boquilla.	La pistola funciona mal.	Repárelos o cámbielos.

DECLARACIÓN DE GARANTÍA

El fabricante garantiza que todas las piezas (excepto aquellas a las que se hace referencia abajo), de su nueva lavadora a presión libres de defectos en materiales y mano de obra durante los periodos siguientes:

Para un curso de la vida contra congelar y agrietarse:

Colector de bomba

Por Siete (7) años a partir de la fecha original de compra:

Bomba de Alta Presión

Por dos (2) años a partir de la fecha original de compra:

Carreta unidad

Cañerías

Polea

Por una (1) años a partir de la fecha original de compra:

GFCI

Encender de selector

Contacto de entrada

Sobrecarga

Por noventa (90) días a partir de la fecha original de compra:

Manguera de alta Presión

Pistola de Gatillo

Descargador

Filtro

Las piezas defectuosas que no están sujetas a deterioro causado por el uso serán reparadas o reemplazadas a nuestra opción durante el periodo de garantía. En todo caso, el reembolso está limitado al precio de compra pagado.

EXCLUSIONES

1. El motor está cubierto bajo una garantía separada proporcionada por el fabricante respectivo y está sujeta a los términos en ella establecidos.
2. Partes de desgaste normal:

Empaques de las Bombas	Válvulas de la Bomba
Boquillas	Válvulas del Detergente
Círculo	Connexión Rapida/Conectar un tornillo
Correa	
3. Esta garantía no cubre las piezas dañadas debido al deterioro normal causado por el uso, mala aplicación, mal uso, operación a velocidades, presiones o temperaturas diferentes a las recomendadas. Las piezas dañadas o gastadas a causa del uso de líquidos cáusticos o por la operación en medios ambientes abrasivos o corrosivos o bajo condiciones que causan cavitación de la bomba no están garantizadas. La falla en seguir los procedimientos recomendados de operación y mantenimiento también cancela la garantía.
4. El uso de piezas de repuesto diferentes a las genuinas fabricante cancelará la garantía. Las piezas devueltas, con franqueo pagado a un Centro de Servicio Autorizado fabricante serán inspeccionadas y reemplazadas, libre de cargos, si se determina que están defectuosas y sujetas a la garantía. No existen garantías que se extiendan más allá de la descripción contenida aquí. Bajo ninguna circunstancia el fabricante será responsable por la pérdida de uso de la unidad, pérdida de tiempo, inconvenientes, pérdida comercial o daños consecuentes.

