

OPERATOR'S MANUAL FOR
***PORTABLE
ELECTRIC DRIVEN
TOP FIRED OIL HEATED***
HOT WATER PRESSURE WASHERS

PARTS LIST



**CAUTION
RISK OF INJURY!**


READ MANUAL BEFORE OPERATING!

This manual is an important part of the pressure washer and must remain with the unit when you sell or rent it!


TABEL OF CONTENTS

INTRODUCTION	3
SAFETY WARNINGS.....	4
RISK OF ELECTRIC SHOCK OR ELECTROCUTION.....	4
RISK OF EXPLOSION OR FIRE.....	4
RISK OF ASPHYXIATION	5
RISK OF INJECTION OR SEVERE CUTTING INJURY	5
RISK OF BURNS	6
RISK OF BURSTING	6
RISK FROM MOVING PARTS.....	6
RISK OF BODILY INJURY	6
SMALL FRAME WITH FLOAT TANK FEATURES	8
FEATURES LISTING.....	8
SMALL FRAME WITH DIRECT FEED FEATURES	9
FEATURES LISTING.....	9
HSE-LARGE FRAME FEATURES.....	10
FEATURES LISTING.....	10
INSTALLATION & PREPARATION	11
ATTIRE :.....	11
SET-UP:.....	11
POWER CORD CONNECTION:.....	11
BURNER FUEL TANK:.....	12
ADJUSTABLE PRESSURE DUAL LANCE:.....	13
DUAL LANCE CONNECTION:.....	13
WATER SUPPLY:	13
UNLOADER:	14
THERMAL RELIEF VALVE:	14
PRE-START INSPECTION PROCEDURES:.....	14
OPERATING INSTRUCTIONS	16
FLUSHING THE SYSTEM:	16
START-UP/COLD WATER OPERATION:.....	16
HOT WATER OPERATION:	17
STEAM OPERATION:	17
CLEANING WITH DETERGENTS:	18
SHUTDOWN:.....	18
STORAGE & MAINTENANCE.....	20
SPECIFIC MAINTENANCE:.....	20
WINTERIZING:.....	20
TROUBLESHOOTING	23
ACCESSORIES.....	28
STATEMENT OF WARRANTY	29

WARNING

 **WARNING:** This product can expose you to chemicals including Lead, which is known to the State of California to cause cancer and birth defects or other reproductive harm. For more information go to www.P65Warnings.ca.gov

WARNING

 **WARNING:** This product can expose you to chemicals including carbon monoxide, which is known to the State of California to cause birth defects or other reproductive harm. For more information go to www.P65Warnings.ca.gov

INTRODUCTION

Congratulations on the purchase of your new hot water pressure washer! You can be assured your hot water pressure washer was constructed and designed with quality and performance in mind. Each component has been rigorously tested to ensure the highest level of acceptance.

This operator's manual was compiled for your benefit. By reading and following the simple safety, installation, operation, maintenance and troubleshooting steps described in this manual, you will receive years of trouble free operation from your new HSE-Series hot water pressure washer. The contents of this manual are based on the latest product information available at the time of publication. The manufacturer reserves the right to make changes in price, color, materials, equipment, specifications or models at any time without notice.

! IMPORTANT !

These paragraphs are surrounded by a "SAFETY ALERT BOX". This box is used to designate and emphasize Safety Warnings that must be followed when operating this pressure washer. Accompanying the Safety Warnings are "signal words" which designate the degree or level of hazard seriousness. The "signal words" used in this manual are as follows:

DANGER: INDICATES AN IMMINENTLY HAZARDOUS SITUATION WHICH, IF NOT AVOIDED, WILL RESULT IN DEATH OR SERIOUS INJURY.

WARNING: INDICATES A POTENTIALLY HAZARDOUS SITUATION WHICH, IF NOT AVOIDED, COULD RESULT IN DEATH OR SERIOUS INJURY.

CAUTION: INDICATES A POTENTIALLY HAZARDOUS SITUATION WHICH, IF NOT AVOIDED MAY RESULT IN MINOR OR MODERATE INJURY.

The symbols set to the left of this paragraph are "Safety Alert Symbols". These symbols are used to call attention to items or procedures that could be dangerous to you or other persons using this equipment.



ALWAYS PROVIDE A COPY OF THIS MANUAL TO ANYONE USING THIS EQUIPMENT. READ ALL INSTRUCTIONS BEFORE OPERATING THIS PRESSURE WASHER AND ESPECIALLY POINT OUT THE "SAFETY WARNINGS" TO PREVENT THE POSSIBILITY OF PERSONAL INJURY TO THE OPERATOR.

Once the unit has been removed from the box, immediately write in the serial number of your unit in the space provided below.

SERIAL NUMBER _____

Inspect for signs of obvious or concealed freight damage. If damage does exist, file a claim with the transportation company immediately. Be sure that all damaged parts are replaced and that the mechanical and electrical problems are corrected prior to operation of the unit. If you require service, contact Customer Service.

Please have the following information available for all service calls:

1. Model Number
2. Serial Number
3. Date and Place of Purchase

SAFETY WARNINGS

RISK OF ELECTRIC SHOCK OR ELECTROCUTION

Serious injury or death could occur if the pressure washer is not properly grounded. Your pressure washer is powered by electricity and may cause electric shock or electrocution if not used properly.



This product must be grounded. Make sure the pressure washer is equipped with a GFCI built into the power supply cord. If this is not available, the pressure washer must be plugged into a receptacle that is protected by a GFCI. Disconnect when not in use.

If your unit is equipped with a GFCI, DO NOT drop the GFCI as damage could result. If the GFCI is accidentally dropped, be certain to test the GFCI before using to ensure it is working properly. (Follow instructions on GFCI for test procedures.)

Always be certain the unit is receiving proper voltage. Before plugging the unit into a compatible power source, be certain the switch is in the "OFF" position. Disconnect when not in use.

Do not modify plug provided with the product. If it will not fit the outlet, have a proper outlet installed by a qualified electrician. Do not use any type of adapter.

Electrical shock may occur from electrical cord.

Check power cord for signs of crushing, cutting or heat damage. If replacement of plug or cord is needed, use only identical replacement parts.

Do not use extension cords with this pressure washer.

Keep all connections dry and off the ground. Do not allow electrical cords to lay in water or in such a position where water could come in contact with them. Do not touch plug with wet hands.

Do not pull on the electrical cord to disconnect from the outlet.

Electrical shock may occur if pressure washer is not operated properly.

Do not direct spray on or into electrical installations of any kind! This includes electrical outlets, light bulbs, fuse boxes, transformers, the unit itself, etc.

Do not allow metal components of the pressure washer to come in contact with live electrical components.

Never operate the pressure washer with safety guards/covers removed or damaged.

Serious injury or death may occur if electrical repairs are attempted by unqualified persons.

Any electrical wiring or repairs performed on this pressure washer should be done by Authorized Service Personnel in accordance with National and Local electrical codes.

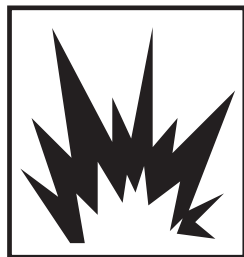
Before opening any electrical enclosure, always shut off the pressure washer, relieve pressure and unplug the pressure washer from the power source. Allow the pressure washer to cool down. Never assume the pressure washer is safe to work on just because it is not operating. It could restart at any time! Service in a clean, dry, flat area.

RISK OF EXPLOSION OR FIRE

Serious injury or death may occur from normal sparks in the multiple ignition sources or burner exhaust.

Always operate pressure washer in a well ventilated area free of flammable vapors, combustible dust, gases or other combustible materials.

Do not store the pressure washer near an open flame or any equipment such as a stove, furnace, water heater, etc., which utilizes a pilot light or sparking device.



SAFETY WARNINGS

Do not use this pressure washer to spray flammable material!

Do not smoke while filling burner fuel tank.

Serious injury or death may occur as a result of improper fueling.

Never fill the burner fuel tank while the pressure washer is running or hot. Allow to cool two minutes before refueling.

Do not refuel indoors or in a poorly ventilated area.

Always refuel slowly to avoid the possibility of spilled fuel which may cause a risk of fire.

Burner Fuel Tank:

Use No. 1 or No. 2 fuel oil/diesel or kerosene. Do not use gasoline, crankcase drainings or oil containing gasoline or solvents.

Do not operate the unit if diesel fuel is spilled. Wipe the pressure washer clean and move it away from the spill. Avoid creating any ignition until the diesel fuel has evaporated.

Serious injury or death may occur if system safety's are not properly maintained.

This pressure washer has a Safety Relief device which should never be altered, modified, removed or made inoperative. If the device fails, replace immediately with only genuine manufacturer replacement part.

RISK OF ASPHYXIATION

Serious injury or death may occur from inhaling burner exhaust or dangerous vapors.

Never operate this pressure washer in an enclosed area. Always make certain there is adequate ventilation (fresh outside air) for breathing and combustion. This will prevent the buildup of dangerous carbon monoxide gases. Beware of poorly ventilated areas, or areas with exhaust fans which can cause poor air exchange.

Follow all safety instructions provided with the materials you are spraying. Use of a respirator may be required when working with some materials. Do not use this pressure washer to dispense hazardous detergents.

RISK OF INJECTION OR SEVERE CUTTING INJURY

Serious injury or death could occur from high pressure spray penetrating the skin.

Keep clear of nozzle and spray! Never put your hand, fingers or body directly over the spray nozzle.

Do not direct discharge stream at persons or self.

This product is to be used only by trained operators.

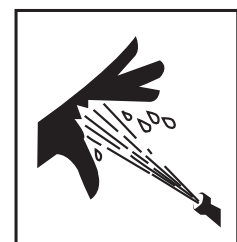
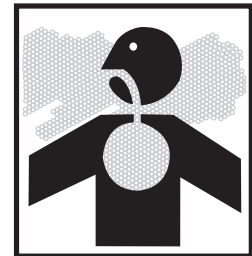
Always keep operating area clear of all persons.

Close supervision is necessary when used near children. DO NOT allow children to operate this unit!

SEEK EMERGENCY MEDICAL CARE if the spray appears to have penetrated the skin! DO NOT TREAT AS A SIMPLE CUT!!

High pressure hoses and fuel lines should be inspected daily for signs of wear. If evidence of failure exists, promptly replace all suspect hoses and fuel lines to prevent the possibility of injury from the high pressure spray. If a hose or fitting is leaking, NEVER PLACE YOUR HAND DIRECTLY ON THE LEAK.

NEVER operate the gun with the trigger wired in the open position. To prevent accidental discharge, the trigger gun should be securely locked when not in use.



SAFETY WARNINGS

Before removing the spray nozzle or servicing the unit, ALWAYS shut off the unit and trigger the gun to release trapped pressure. (Even after you shut off the unit, there is high pressure water left in the pump, hose and gun until you release it by triggering the gun.)

RISK OF BURNS



Serious injury may occur from touching the heat exchanger. This area can remain hot for some time after the pressure washer is shutdown.

Never allow any part of your body to contact the heat exchanger.

Do not leave unit unattended after shutdown until it is completely cooled down as described in the "SHUTDOWN" procedures listed on page 20 of this manual.

RISK OF BURSTING



Serious injury may occur from a pressure washer malfunction or exploding accessories if incorrect system components, attachments or accessories are used.

Serious injury or death may occur if attempting to start the pressure washer when the pumping system is frozen.

Never make adjustments to the factory set pressures.

Never exceed manufacturers maximum allowable pressure rating of attachments.

Do not allow any hoses to make contact with heat exchanger to prevent the possibility of bursting. Avoid dragging the hoses over abrasive surfaces such as cement.

Use only manufacturer recommended repair parts for your pressure washer.

In freezing temperatures, the unit must always be warm enough to ensure there is no ice formation in the pump. Do not start the pressure washer if it has been transported in an open or underheated vehicle without first allowing the pump to thaw.

RISK FROM MOVING PARTS



Serious injury may occur to the operator from moving parts on the pressure washer.

Never make adjustments to the unit while it is connected to the power source.

Do not operate the unit without all protective covers in place.

Follow the maintenance instructions specified in the manual.

RISK OF BODILY INJECTION



Serious injury or death may occur from detergents contacting the skin.

SEEK EMERGENCY MEDICAL CARE if you are using cleaning agents and the spray appears to have penetrated the skin! DO NOT TREAT AS A SIMPLE CUT! Be prepared to tell a physician exactly what kind of detergents you were using by reading the Material Safety Data Sheet (MSDS) provided with your detergent.

Never use any solvents or highly corrosive detergents or acid type cleaners with this pressure washer.

Protective equipment such as rubber suits, gloves and respirators are advisable, especially when using cleaning detergents.

Keep all detergents out of the reach of children!

Serious injury can occur from loose debris being propelled at a high speed from the spray gun.

SAFETY WARNINGS

ALWAYS wear protective goggles when operating the unit to shield the eyes from flying debris and detergents.

DO NOT direct spray toward fragile materials such as glass for shattering could occur.

If the pressure washer is equipped with an Auto start/stop feature, the unit will shutdown until the gun is triggered. To prevent accidental high pressure discharge, do not leave unit unattended while in this mode.

Injury may occur if the operator loses his balance caused by the thrust of water traveling through the spray nozzle.

Stay alert-watch what you are doing. Do not operate the unit when fatigued or under the influence of alcohol or drugs.

NEVER squeeze the trigger unless securely braced.

DO NOT overreach or stand on unstable support. Keep good footing and balance at all times.

Wet surfaces can be slippery, wear protective foot gear and keep good footing and balance at all times.

NEVER trigger the gun while on a ladder or roof.

Injury may occur from the pressure washer. ALWAYS hold on firmly to the gun/lance assembly when starting and operating the unit. Failure to do so can cause the lance to fall and whip dangerously.

Know how to stop the pressure washer and bleed pressures quickly. Be thoroughly familiar with controls.

DO NOT leave pressurized unit unattended. Shut off the pressure washer and release trapped pressure before leaving.

DO NOT operate the unit if you see any fuel, oil or water leaks from the machine. DO NOT resume operation until the unit has been inspected and repaired by a qualified service person.

Place unit in a clean, dry, flat area for servicing. Before servicing the unit: turn the unit off, relieve the water pressure from the trigger gun, and allow the unit to cool down. Service in clean, dry, flat area. If applicable, block wheels to prevent unit from moving.

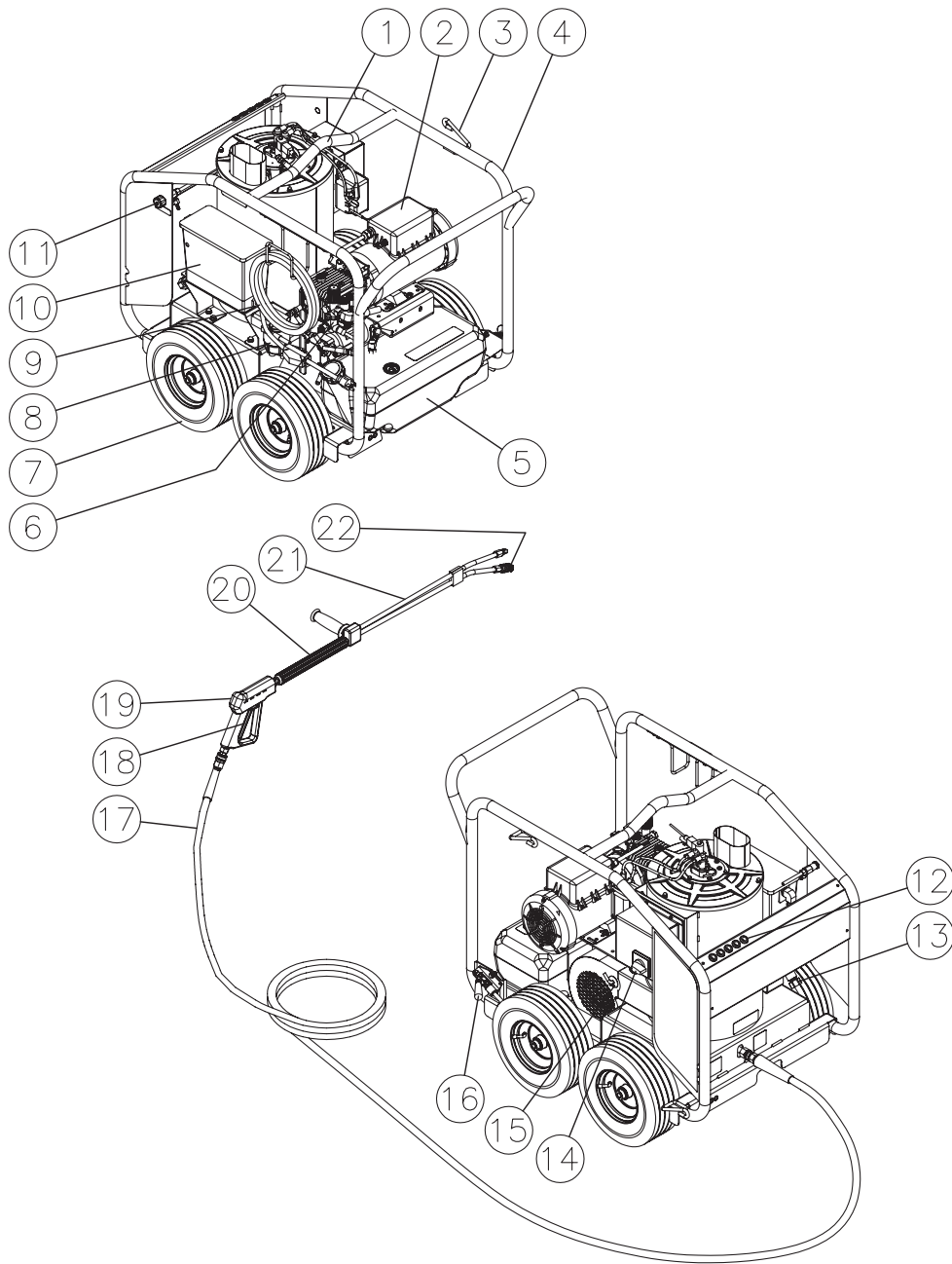
Do not move the unit by pulling on the hose.



!SAVE THESE INSTRUCTIONS!



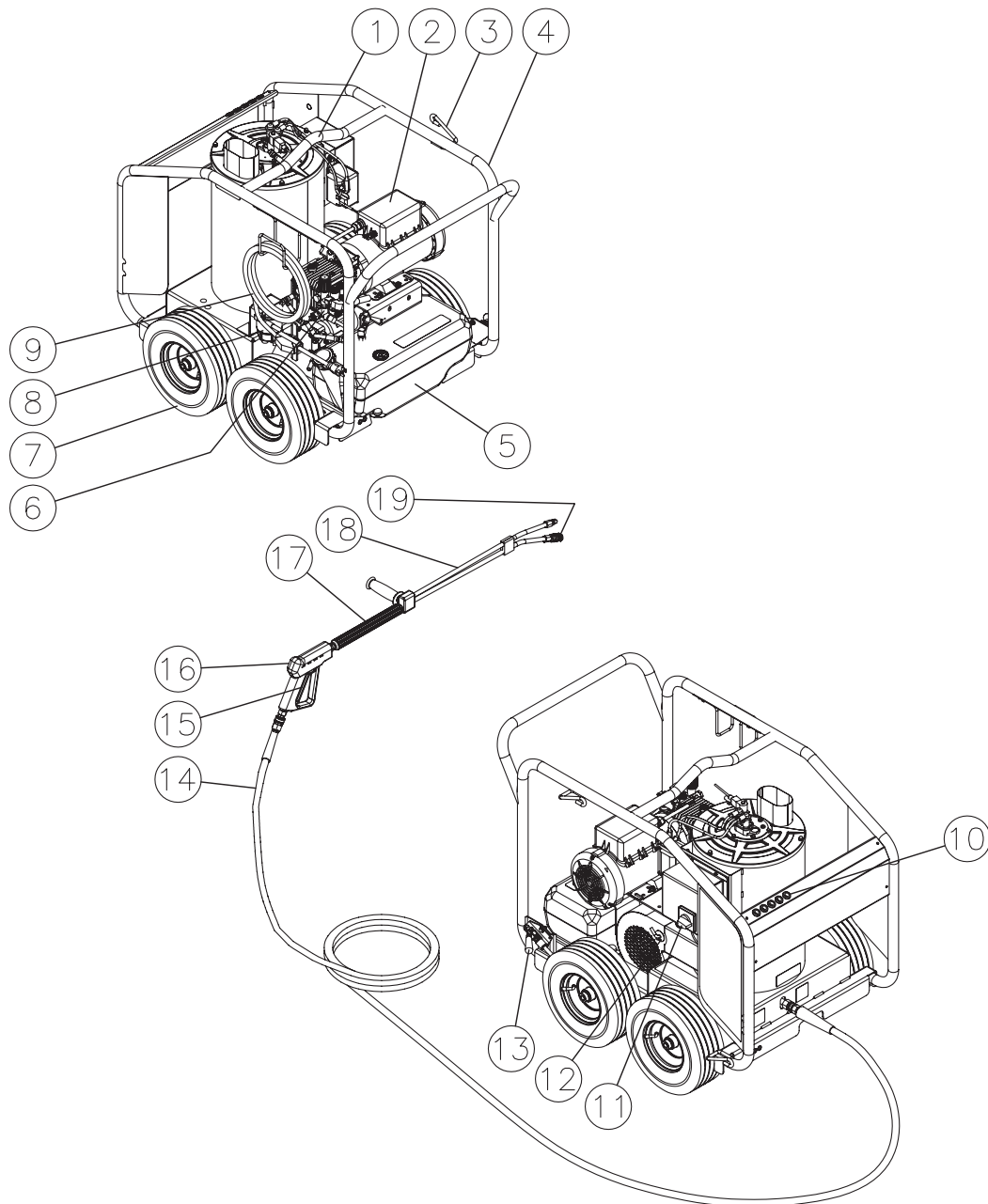
SMALL FRAME WITH FLOAT TANK FEATURES



FEATURES LISTING

- | | |
|----------------------------------|------------------------------------|
| 1. Center Balanced Lifting Eye | 12. Spray Nozzle Holder |
| 2. TEFC Pump Motor | 13. Water Inlet |
| 3. Wand Holder | 14. Switch-On/Off/Burner |
| 4. Protective Rollcage | 15. Burner Air Regulation |
| 5. Burner Fuel Tank | 16. Brake |
| 6. High Pressure Pump w/Unloader | 17. High Pressure Hose |
| 7. Flat Free Wheels | 18. Trigger Safety Lock |
| 8. Fuel Filter/Water Separator | 19. Trigger Gun |
| 9. Electric Cord w/GFCI | 20. Insulated Lance |
| 10. Water Float Tank | 21. Adjustable Pressure Dual Lance |
| 11. Detergent Metering Valve | 22. Spray Nozzle |

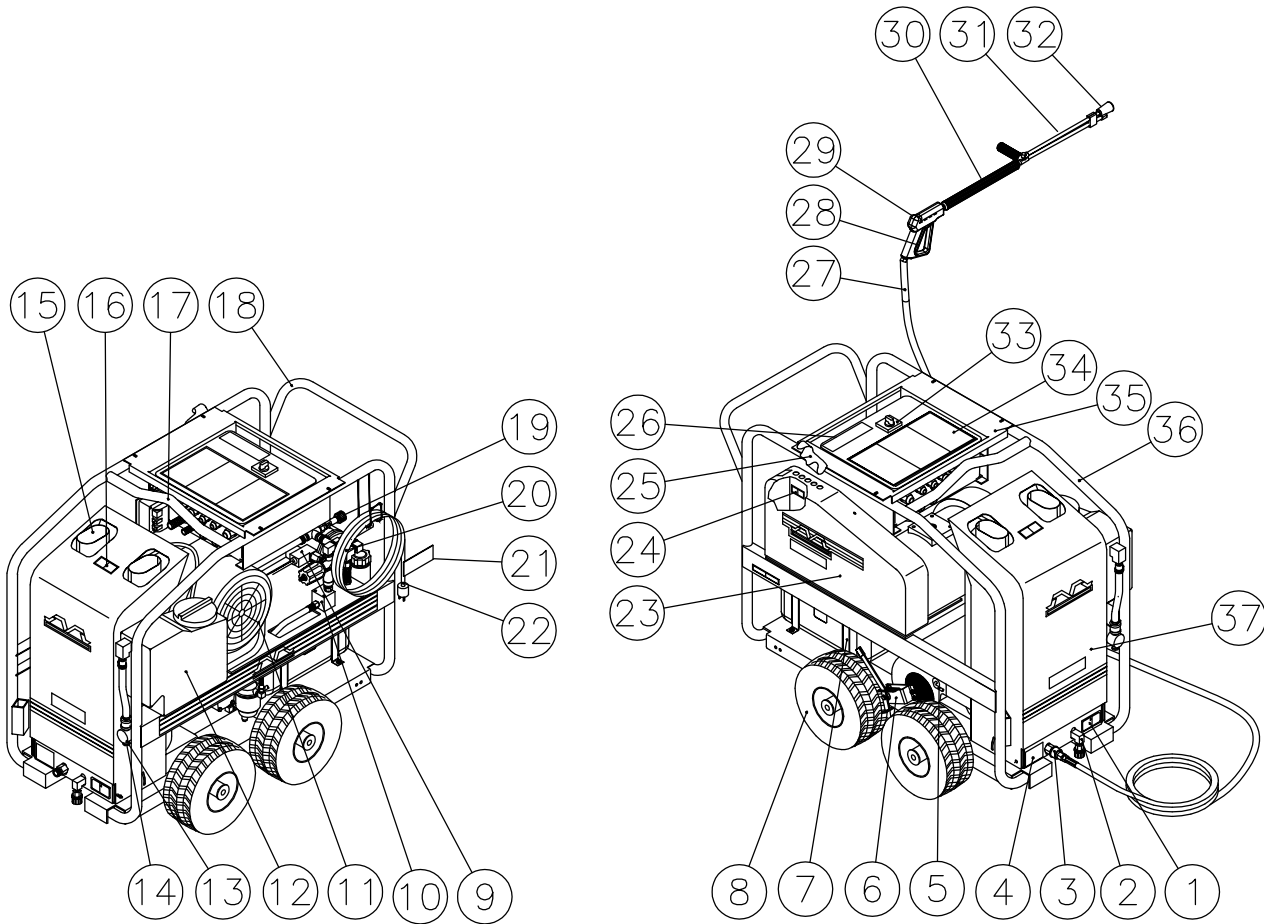
SMALL FRAME WITH DIRECT FEED FEATURES



FEATURES LISTING

- | | |
|----------------------------------|------------------------------------|
| 1. Center Balanced Lifting Eye | 11. Switch-On/Off/Burner |
| 2. TEFC Pump Motor | 12. Burner Air Regulation |
| 3. Wand Holder | 13. Brake |
| 4. Protective Rollcage | 14. High Pressure Hose |
| 5. Burner Fuel Tank | 15. Trigger Safety Lock |
| 6. High Pressure Pump w/Unloader | 16. Trigger Gun |
| 7. Flat Free Wheels | 17. Insulated Lance |
| 8. Fuel Filter/Water Separator | 18. Adjustable Pressure Dual Lance |
| 9. Electric Cord w/GFCI | 19. Spray Nozzle |
| 10. Spray Nozzle Holder | |

HSE-LARGE FRAME FEATURES



FEATURES LISTING

- | | |
|--------------------------------------|--|
| 1. Decal- Warning: Risk of Explosion | 20. Decal- Caution: Risk of Fire |
| 2. Coil Drain | 21. Decal- Hang Tag |
| 3. High Pressure Outlet | 22. Electric Cord w/GFCI |
| 4. Data Plate | 23. Beltguard |
| 5. Burner Air Regulation | 24. Decal- Warning: Beltguard in Place |
| 6. Brake | 25. Wand Holder |
| 7. Burner Fuel Tank | 26. Decal- Warning: Electric |
| 8. Flat Free Wheels | 27. High Pressure Hose |
| 9. Pressure Switch | 28. Trigger Safety Lock |
| 10. High Pressure Hose w/Unloader | 29. Trigger Gun |
| 11. TEFC Pump Motor | 30. Insulated Lance |
| 12. Water Float Tank | 31. Adjustable Pressure Dual Lance |
| 13. Water Strainer w/Bowl | 32. Nozzle |
| 14. Water Inlet | 33. Switch (On/Off/Burner) |
| 15. Heat Exchanger Exhaust | 34. Decal- Warning/Caution/Operation |
| 16. Decal- Warning: Hot | 35. Control Panel |
| 17. Center Balance Lift Eye | 36. Protective Roll Cage |
| 18. Convient Push/Pull Handle | 37. Protective Cover Assembly |
| 19. Detergent Metering Valve | |

INSTALLATION & PREPARATION

ATTIRE:

Proper attire is essential to your safety. It is advised to utilize whatever means necessary to protect eyes, ears, and skin. Additional safety attire (such as respiratory mask) may be required when using detergent cleaning agents with this washer.

⚠ DANGER RISK OF EXPLOSION OR FIRE! DO NOT PLACE UNIT IN AN AREA WHERE FLAMMABLE GAS VAPORS MAY BE PRESENT. A SPARK COULD CAUSE AN EXPLOSION OR FIRE!

⚠ RISK OF UNIT BURSTING! DO NOT STORE/OPERATE UNIT IN FREEZING ENVIRONMENTS!

SET-UP:

1. This unit should only be placed on a level surface to ensure proper lubrication for the water pump while operating. NEVER spray water directly on the unit.

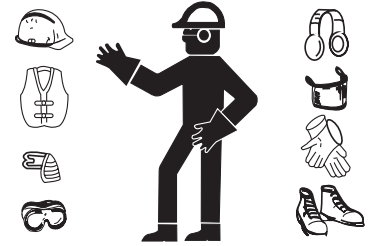
⚠ WARNING RISK OF ASPHYXIATION! DO NOT OPERATE IN AN ENCLOSED AREA. USE THIS PRODUCT ONLY IN WELL VENTILATED AREAS! THE EXHAUST CONTAINS CARBON MONOXIDE, A POISONOUS, ODORLESS AND INVISIBLE GAS. BREATHING THIS GAS CAN CAUSE SERIOUS INJURY, ILLNESS & POSSIBLE DEATH.

2. Do not use unit in an area:
 - a. with insufficient ventilation.
 - b. where there is evidence of oil or fuel leaks.
 - c. where flammable gas vapors may be present.
3. Engage brake to prevent the unit from moving while operating.
4. Do not allow the unit to be exposed to rain, snow or freezing temperatures. If any part of the unit becomes frozen, excessive pressure may build up in the unit which could cause it to burst resulting in possible serious injury to the operator or bystanders.
5. Pump oil level should be checked before each use. Make certain the oil is on the "Full" mark on the dipstick or in the center of the oil sight glass. If the level appears to be low, fill with pump oil #AW-4085-0016.

POWER CORD CONNECTION:

⚠ DANGER RISK OF ELECTROCUTION! THIS UNIT MUST BE CONNECTED TO A PROPERLY GROUNDED OUTLET. DO NOT USE AN ADAPTER OR REMOVE THE THIRD GROUNDING PRONG.

1. Make certain the motor switch is in the "OFF" position.
2. Ensure electrical supply is identical to the specifications listed on the pressure washer data plate.
3. **GROUNDING INSTRUCTIONS:** This product must be grounded. If it should malfunction or breakdown, grounding provides a path of least resistance for electric current to reduce the risk of electric shock. This product is equipped with a cord having an equipment-grounding conductor and a grounding plug. The plug must be plugged into an appropriate outlet that is properly installed and grounded in accordance with all local codes and ordinances.
4. **DANGER:** Improper connection of the equipment-grounding conductor can result in a risk of electrocution. Check with a qualified electrician or service personnel if you are in doubt as to whether the outlet is properly grounded. Do not modify the plug provided with the product - if it will not fit the outlet, have a proper outlet installed by a qualified electrician. Do not use any type of adaptor with this product.



INSTALLATION & PREPARATION

5. GROUND FAULT CIRCUIT INTERRUPTER PROTECTION:
 - a. SINGLE PHASE: If this pressure washer is provided with a Ground Fault Circuit Interrupter (GFCI) built into the plug or the power supply cord, test the GFCI each time it is plugged into an outlet according to instructions on the GFCI. DO NOT use the pressure washer if the test fails! The GFCI provides additional protection from the risk of electric shock. Should replacement of the plug or cord become necessary, use only identical replacement parts that include GFCI protection.
 - b. SINGLE PHASE: If this pressure washer is not provided with a GFCI, this pressure washer should only be connected to a receptacle that is protected by a Ground Fault Circuit Interrupter (GFCI) to comply with the National Electric Code (NFPA 70) and to provide additional protection from the risk of electric shock.
 - c. THREE PHASE: These pressure washers are not provided with GFCI protection.



WARNING RISK OF ELECTROCUTION! TO REDUCE THE RISK OF ELECTROCUTION, KEEP ALL CONNECTIONS DRY AND OFF THE GROUND. DO NOT TOUCH PLUG WITH WET HANDS.

6. EXTENSION CORDS: THE MANUFACTURER DOES NOT RECOMMEND THE USE OF EXTENSION CORDS! If use of an extension cord is unavoidable, it must be plugged into a GFCI found in circuit boxes or protected receptacles. When using an extension cord, consult a qualified electrician to determine the proper wire gauge needed for the length of the extension cord.

SINGLE PHASE: Use only 3-wire extension cords that have 3-prong grounding-type plugs and 3-pole cord connectors that accept the plug from the product.

THREE PHASE: Use only 4 wire extension cords that have 4-prong grounding type plugs and 4-pole cord connectors that accept the plug from the product.

Use only extension cords that are intended for outdoor use. These extension cords are identified by a marking "Acceptable for use with outdoor appliances; store indoors while not in use." Use only extension cords having an electrical rating not less than the rating of the product. Do not use damaged extension cords. Examine extension cord before using and replace if damaged. Do not abuse extension cord and do not yank on any cord to disconnect. Keep cord away from heat and sharp edges. Always connect and disconnect the extension cord from the receptacle before connecting and disconnecting the product from the extension cord.

7. Ensure the area between the pressure washer cord and outlet is kept dry.
8. Insert the male plug into a grounded AC outlet. DO NOT use an adapter OR remove the grounding plug!!



DANGER RISK OF FIRE! -DO NOT SMOKE WHILE FUELING! -DO NOT FILL THE FUEL TANK WHILE UNIT IS RUNNING OR HOT. ALLOW UNIT TO COOL FOR TWO MINUTES BEFORE RE-FUELING. -DO NOT FILL FUEL TANK TO POINT OF OVERFLOWING. ALLOW APPROXIMATELY 1/4" OF TANK SPACE FOR FUEL EXPANSION.

BURNER FUEL TANK:



WARNING RISK OF EXPLOSION OR FIRE! ALWAYS STORE FUEL AWAY FROM THE WASHER WHILE THE UNIT IS RUNNING OR HOT.

1. Review "Risk of Explosion or Fire", before fueling.
2. Locate the Safety Decals on your unit and heed their warnings.
3. Fill the burner fuel tank with good quality, clean No. 1 or No. 2 fuel oil diesel or kerosene. Do not use gasoline!

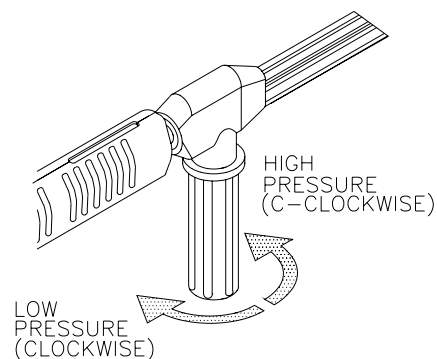
INSTALLATION & PREPARATION

ADJUSTABLE PRESSURE DUAL LANCE:

⚠ WARNING RISK OF INJECTION CAUSING SEVERE INJURY! -THE TRIGGER GUN SHOULD ALWAYS BE LOCKED IN THE OFF POSITION WHEN NOT IN USE! -NEVER LOOK DIRECTLY AT THE NOZZLE UNLESS IT IS DISCONNECTED FROM THE TRIGGER GUN/DUAL LANCE ASSEMBLY!

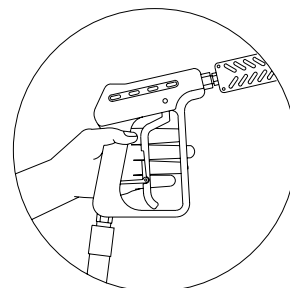
This unit features an Adjustable Pressure Dual Lance which allows the user to select a high or low pressure “fan” spray. Simply rotate the adjustable grip on the dual lance to achieve the desired pressure selection.

1. Selection of high pressure can be achieved by turning the adjustable grip on the Dual Lance assembly counterclockwise as shown in the figure below.
2. Selection of low pressure can be achieved by turning the adjustable grip on the Dual Lance clockwise as shown in the figure below.



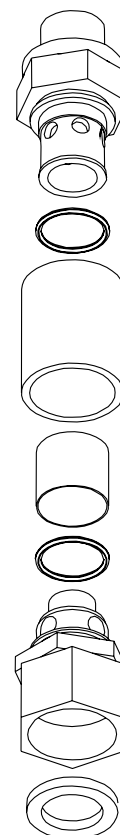
DUAL LANCE CONNECTION:

1. Be certain the trigger gun is locked in the “OFF” position.
2. Connect the dual lance assembly to the trigger gun assembly at this time (if applicable). Be certain the connection is securely tightened.



WATER SUPPLY:

1. Select a water supply hose which is a quality grade of garden hose measuring at least 3/4" ID and no longer than 50 feet.
2. Check the see-through water filter to ensure it is clean and free of any obstructions. Periodic cleaning of the see-through water filter will help prevent pump problems. As a filter screen becomes obstructed, it restricts proper flow of water to the pump. This can result in cavitations which will cause premature failure of pump packings.
 - a. Unscrew the garden hose inlet connection from the front of the filter assembly.
 - b. Remove the clear plastic cover and clean the filter screen.
3. Connect the hoses:
 - a. Connect one end of the water supply hose to the water inlet of the unit.
 - b. Connect the other end of the hose to your pressurized water supply. When connecting the water inlet to the water supply mains, local regulations of your water company must be observed. In some areas, the unit must not be connected directly to the public drinking water supply. This is to ensure that there is no feedback of the detergents into the water supply. (Direct connection is permitted if a back flow preventer is installed.)
 - c. Quick-connect the high pressure discharge hose to the water outlet of the unit.
 - d. Connect the other end of the discharge hose to the gun.
4. Follow the incoming water requirements listed below:
 - a. Water pressure must be a minimum of 25 pounds per square inch (PSI) and a maximum of 125 PSI. (A typical outdoor faucet will generally supply this PSI if turned completely "ON".)
 - b. Incoming GPM must be approximately one gallon more than the outgoing GPM stated on the pressure washer nameplate. (You can check GPM by timing how long it takes to fill a 5 gallon container.)
 - c. Incoming water temperature must not exceed 125°F. Excessive pump damage may result if the water temperature exceeds this acceptable level.
5. Never allow the unit to operate without the incoming water line attached and the water supply completely turned on.



INSTALLATION & PREPARATION

UNLOADER:

Standard Models:

The unloader has been preset at the factory.

Steam Option Models:

The unloader has an adjustment knob which has a minimum/maximum setting. Move the unloader clockwise to the maximum setting for Cold/Hot water operation. Move counterclockwise to minimum setting for Steam operation.

THERMAL RELIEF VALVE:

To ensure the water temperature does not exceed acceptable levels, never allow the pressure washer to operate in the bypass mode (with the unit running and the trigger closed) for more than three minutes.

A thermal relief valve has been added to this unit to protect the pump. This valve will open and release water if the water temperature in the pump has exceeded 140° F. This will allow fresh, cool water to enter the system, therefore preventing premature failure of pump packings.

PRE-START INSPECTION PROCEDURES:

Before starting the unit, perform the following procedures:

1. Inspect the electrical cords for cuts. If a cut is found, **DO NOT TOUCH OR USE CORD!** Replace cord before starting unit.
2. Check the oil level in the pump.
3. Inspect the water inlet strainer. Clean or replace if necessary. See "Water Supply", #2.
4. Check all hose connections to ensure they are securely tightened.
5. Inspect for system water leaks, oil leaks and fuel leaks. If a fuel leak is found, **DO NOT START UNIT!** See "Risk of Explosion or Fire". Be sure that all damaged parts are replaced and that the mechanical problems are corrected prior to operation of the unit. If you require service, contact Customer Service.
6. Inspect high pressure hoses for kinking, cuts and leaks. If a cut or leak is found, **DO NOT USE HOSE!** Replace hose before starting unit. See "Risk of Injection or Severe Cutting Injury". Be sure that all damaged parts are replaced and that the mechanical problems are corrected prior to operation of the unit. If you require service, contact Customer Service.

 **WARNING** 

THE FOLLOWING PAGES CONTAIN OPERATING AND MAINTENANCE INSTRUCTIONS.

DO NOT ATTEMPT TO OPERATE THIS PRESSURE WASHER UNTIL YOU HAVE READ AND UNDERSTOOD ALL SAFETY PRECAUTIONS AND INSTRUCTIONS LISTED IN THIS MANUAL.


INCORRECT OPERATION OF THIS UNIT CAN CAUSE SERIOUS INJURY!!

DO NOT ALTER OR MODIFY THIS EQUIPMENT IN ANY MANNER!

OPERATING INSTRUCTIONS

FLUSHING THE SYSTEM:

This unit has a steel coil which, after setting, will cause the water remaining in the coil from the previous usage to turn brown or black. This water must be flushed from the system before start-up. This procedure should be performed without the high pressure hose, gun and dual lance assembly installed.

 **CAUTION RISK OF UNIT DAMAGE. BE CERTAIN THE HOSE, GUN & DUAL LANCE ASSY. ARE NOT CONNECTED TO THE UNIT WHILE PRIMING THE PUMP. PRIMING ALLOWS MINERAL DEPOSITS TO BE RELEASED FROM THE SYSTEM WHICH WOULD OBSTRUCT OR DAMAGE THE GUN AND NOZZLE ASSEMBLY RESULTING IN COSTLY REPAIRS.**

DIRECT FEED MODELS:


1. Turn on the water supply.
2. Low pressure water will begin flowing from the water outlet. This allows the unit to flush any particles from the system. The unit is flushed when the water is clear.
3. Once the system is flushed, turn off the water supply and connect the high pressure hose to the water outlet of the unit.
4. Connect the trigger gun and dual lance assembly to the high pressure hose.
5. Turn on the water supply.

FLOAT TANK MODELS:

1. Turn on the water supply.
2. Move the switch to the "Pump" position. Low pressure water will begin flowing from the water outlet. This allows the unit to flush any particles from the system. The unit is flushed when the water is clear.
3. Once the system is flushed, move the switch to the "OFF" position and connect the high pressure hose to the water outlet of the unit.
4. Connect the trigger gun and dual lance assembly to the high pressure hose.

START-UP/COLD WATER OPERATION:

1. Refer to the "Safety Precautions" pgs. 4-7 before starting the unit.
2. Locate the Safety Decals on your unit and heed their warnings.
3. Ensure that the switch is in the "OFF" position.
4. Pointing the trigger gun in a safe direction, unlock the trigger gun and squeeze the trigger. Brace yourself for possible gun kickback when the pump starts.

 **WARNING RISK OF INJECTION CAUSING SEVERE INJURY! -KEEP CLEAR OF NOZZLE! NEVER PLACE HAND OR FINGERS IN FRONT OF NOZZLE! -DO NOT DIRECT DISCHARGE STREAM AT PEOPLE OR PETS! -AUTO START/STOP FEATURE WILL SHUTDOWN THE PRES-SURE WASHER UNTIL GUN IS TRIGGERED. TO PREVENT ACCIDENTAL HIGH PRESSURE DISCHARGE, DO NOT LEAVE UNIT UNATTENDED WHILE IN THIS MODE.**

5. Move the switch to the "Pump" position.
6. Once the unit has started, perform the following procedures with the gun open:
 - a. Inspect for system water leaks, oil leaks and fuel leaks. If a fuel leak is found, TURN UNIT OFF IMMEDIATELY! See "Risk of Explosion or Fire", pg. 5. Be sure that all damaged parts are replaced and that the

OPERATING INSTRUCTIONS

mechanical problems are corrected prior to operation of the unit. If you require service, contact Customer Service.

- b. Inspect high pressure hoses for kinking, cuts and leaks. If a cut or leak is found, **DO NOT TOUCH HOSE AT LEAK!!! TURN UNIT OFF IMMEDIATELY!** Replace hose before starting the unit. See “Risk of Injection or Severe Cutting Injury”. Be sure that all damaged parts are replaced and that the mechanical problems are corrected prior to operation of the unit. If you require service, contact Customer Service.
7. At this point, the unit is operating as a cold water pressure washer. Trigger the gun several times and try adjusting the water pressure by rotating the grip on the dual lance. **NEVER** place hand or fingers in front of the nozzle or look directly into the nozzle! High pressure water creates a risk of severe injury!
8. Do not allow unit to operate in bypass mode (with trigger closed) for more than three minutes without triggering the gun. Failure to follow this simple rule can cause premature failure of pump packings.

NOTE: If this unit is equipped with an Auto Start/Stop feature, the pressure washer will shutdown if the gun is not triggered after a designated amount of time. The pressure washer will start again once the gun is triggered. The Auto Start/Stop feature is preset at the factory for shutdown at 90 seconds. It can be adjusted by an Authorized Service Technician to shutdown from no usage after a minimum of 3 seconds to a maximum of 5 minutes.

9. Your pressure washer can deliver high pressure spray and a variety of spray patterns using cold water. If you wish to use the Hot Water, Steam application or Cleaning with Detergents see the correct procedures in this manual.

CAUTION RISK OF DAMAGE. DO NOT ALLOW SPRAY PATTERN TO REMAIN ON A FIXED AREA FOR AN EXTENDED PERIOD OF TIME. POSSIBLE DAMAGE MAY OCCUR TO THE AREA.

HOT WATER OPERATION:

WARNING RISK OF BURN! THE WATER TEMPERATURE COULD BECOME VERY HOT DURING HOT WATER OPERATION. BE CAUTIOUS WHEN ADJUSTING PRESSURE OR CONTROLLING THE TRIGGER GUN/DUAL LANCE ASSEMBLY.

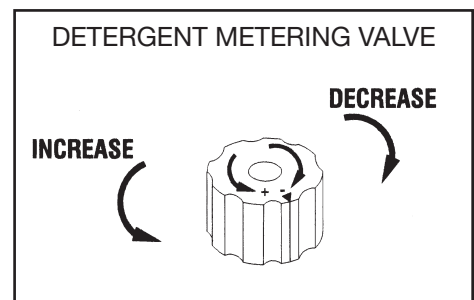
1. Follow the steps 1-8 outlined for “START-UP/COLD WATER OPERATION”.
2. Move the switch to the “Burner” position. On initial start-up, water will begin turning hot in approximately 20 seconds and will reach maximum temperature in approximately 2-1/2 minutes, provided the trigger remains squeezed. The burner will stop firing when the trigger is released.

NOTE: While spraying, it is normal for the burner to fire intermittently. The high limit switch will cause combustion to cease when the temperature of the discharged water exceeds the temperature setting of the switch. Combustion will begin again when the water temperature drops below the minimum setting .

At this point, the unit is operating as a hot water pressure washer. Be extremely cautious when adjusting the pressure and controlling the trigger gun/dual lance assembly to avoid the possibility of burns.

STEAM OPERATION:

1. Follow steps 1-8 outlined for “STARTUP/COLD WATER OPERATION”.
2. Ensure the quick-connect at the end of the dual lance is cool enough to touch, then remove the high pressure nozzle and replace it with the steam nozzle. Remove the high pressure hose and replace it with the steam hose.
3. Turn unloader knob completely counterclockwise to the minimum setting.



OPERATING INSTRUCTIONS

4. Turn the switch to “Steam”.

NOTE: The burner will shut down if the switch is moved to “Steam” without first setting the unloader to minimum or operating in the high pressure mode.)

At this point, the unit will operate as a steam pressure washer. Be extremely cautious when adjusting the pressure and controlling the trigger gun/dual lance assembly to avoid the possibility of burns.

CLEANING WITH DETERGENTS:

NOTE: This feature is designed for use with mild detergents only. Since the cleaning solution travels through various parts of the pressure washer, do not use corrosives as they will cause extensive damage as well as pose a considerable safety hazard.

1. Refer to “Risk of Bodily Injury / Detergents”. Be certain to wear protective safety attire as stated in manual
2. Prepare detergent solution according to label directions. (Never pump acids, alkalines, abrasive fluids or solvents through the unit. Due to the unknown and often corrosive characteristics of many detergents commonly used in the pressure washer cleaning industry, it is recommended to use only mild detergents with this unit.)
3. Fully immerse the strainer end of the clear vinyl detergent hose into the detergent solution.
4. DIRECT FEED: Be certain the adjustable grip on the dual lance is turned completely clockwise for low pressure detergent operation.

NOTE: This injection system is designed to apply detergents under low pressure only. It will not allow detergent solutions to be introduced into the system unless the dual lance is set in the low pressure mode.

FLOAT TANK: Adjust the amount of detergent desired. Turn the metering valve completely counterclockwise to set at maximum siphon rate.

5. To apply solution; unlock the trigger gun and squeeze the trigger. In a few moments a detergent/water mixture will exit the nozzle. Start spraying the lower portion of the surface being cleaned and move up, using long overlapping strokes. Applying from the bottom up helps avoid streaking. Allow to soak briefly. Avoid working on hot surfaces or in direct sunlight to minimize the chances of the detergent drying, which may result in damaging surfaces. Be certain to apply cleaning solution to a small section at a time.
6. To rinse; lock the trigger gun in the “OFF” position,
DIRECT FEED: Rotate the adjustable grip on the dual lance counterclockwise for high pressure.

FLOAT TANK: Turn the detergent metering valve to the “OFF” position. Unlock the trigger gun and spray. It will take about 30 seconds to purge all detergent from the line. For best rinsing results, start at the top and work down.

7. Siphon a gallon of water through the detergent injection system after each use. This prevents the possibility of corrosion or detergent residue causing mechanical problems during the next use.

SHUTDOWN:



WARNING RISK OF INJECTION CAUSING SEVERE INJURY! -AUTO START/STOP FEATURE WILL SHUTDOWN THE PRESSURE WASHER UNTIL THE GUN IS TRIGGERED. TOTAL SHUTDOWN REQUIRES “OFF/PUMP/BURNER/STEAM” SWITCH TO BE MOVED TO THE OFF POSITION. -TO PREVENT ACCIDENTAL HIGH PRESSURE DISCHARGE, DO NOT LEAVE UNIT UNATTENDED UNTIL “OFF/PUMP/BURNER/STEAM” SWITCH IS IN THE OFF POSITION.

OPERATING INSTRUCTIONS

1. Move the switch to the “Pump” position.
2. Squeeze the trigger and discharge the water for a period of three minutes to cool the heat exchanger and high pressure hose. (Insufficient cool down period of the high pressure hose will cause excessive wear and eventual rupturing of the hose.)
3. Move the switch to the “OFF” position. (Auto Start/Stop Option will shut the unit down, but total shutdown requires switch to be moved to the “OFF” position.)
4. Turn off the water supply and trigger the gun momentarily to relieve trapped pressure.
5. Disconnect and drain the high pressure hose, gun, and dual lance. Wipe the unit clean and store in a non-freezing environment.

STORAGE & MAINTENANCE

SPECIFIC MAINTENANCE:

PUMP: Change the pump oil after the first 50 hours of operation. After initial change, every 3 months or 250 hour intervals are recommended. If oil appears dirty or milky, changes may be required in greater frequency. Use pump oil SAE20 or 30 and fill only to the center of the oil sight glass. DO NOT overfill.

QUICK COUPLERS: There are o-ring seals inside the couplers which will deteriorate. To replace, simply install a replacement o-ring to correct the leak. (Additional o-rings can be purchased from your dealer.)

NOZZLE: Water flow through the spray nozzle will erode the orifice, making it larger, resulting in a pressure loss. Nozzles should be replaced whenever pressure is less than 85% of the maximum. The frequency of replacement will depend upon such variables as mineral content in the water and number of hours the nozzle is used.

FUEL WATER SEPARATOR: The fuel filter has a built in water separator. Occasionally the water has to be drained from the separator. Follow the procedures listed below:

1. Check the collection bowl daily.
2. Ensure the unit is off and place an oil catch basin under the fuel cartridge.
3. Loosen the drain plug to allow the fuel/water contaminants to flow into the catch basin.
4. Retighten the drain plug when completed.
5. Dispose of drainage according to environmental regulations in your area.

BURNER AIR ADJUSTMENT: The air shutter has been factory preset for proper operation between sea level and 2000 feet elevation at standard conditions (60°F ambient water and air temperatures). To assure maximum combustion efficiency at colder temperatures and higher altitudes, it will be necessary to adjust the air supply to the combustion chamber. A smoke spot test is recommended during any air shutter adjustment. This will aid in maximizing the burner efficiency and avoid the inefficient operation and excessive sooting of the combustion chamber.

1. The machine must be running and the burner on.
2. Take a smoke spot test to determine if more or less air is required for proper combustion.
 - a. If the test is greater than a #3 smoke, turn the shutter arm counterclockwise to increase the air flow into the combustion chamber.
 - b. If the test is yellowish in color, turn the shutter arm clockwise to decrease the air flow into the combustion chamber.
3. Hold onto the air shutter adjusting arm and loosen the locking nut. Move the shutter in 1/8" increments and re-tighten the locking nut after each 1/8" movement.
4. Trigger the gun on and off slowly to make sure there is proper ignition. Slight or no puffing on the ignition, and a smoke spot test of 0-3 is good.
5. Repeat steps 2 and 3 until step 4 is attained.

LEAKS: Promptly eliminate any leaks found in the pumping system by removing suspect parts, applying thread sealant to the threads and reinstalling.

NOTE: If using teflon tape, be certain no tape gets inside any plumbing to prevent the possibility of a plugged spray nozzle.

WINTERIZING:

1. For storage and transportation purposes in subfreezing ambient temperatures, it will be necessary to winterize this unit. This unit must be protected to the lowest incurred temperature for the following reasons:

STORAGE & MAINTENANCE

- a. If any part of the pumping system becomes frozen; excessive pressure may build up in the unit which could cause the unit to burst resulting in possible serious injury to the operator or bystanders.
- b. The pumping system in this unit may be permanently damaged if frozen. FREEZE DAMAGE IS NOT COVERED BY WARRANTY.

If you must store your unit in an area where the temperature may fall below 32°F, you can protect your unit by following the procedure outlined below.

⚠ WARNING RISK OF UNIT BURSTING. DO NOT STORE / OPERATE UNIT IN A FREEZING ENVIRONMENT!

1. Gather the following items:
 - a. Two 5 gallon containers.
 - b. One gallon of antifreeze. (Use an environmentally safe antifreeze.)
 - c. Water supply.
 - d. Three foot hose, 1/2-3/4 I.D. with a 3/4 inch male garden hose fitting.
2. Procedure:
 - a. To start winterizing, unit must be run according to the “Start-up Cold Water Operation” listed on page 18.
 - b. After running, shut off the unit and water supply.
 - c. Relieve system pressure by pointing the trigger gun in a safe direction and squeezing the trigger until water flow ceases to exit the Dual Lance Assy.
 - d. Lock the trigger gun in the OFF position and adjust the Dual Lance to the low pressure mode.

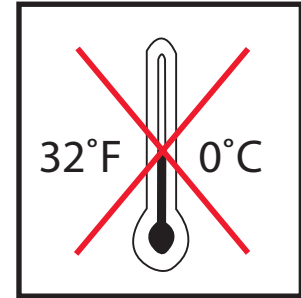
NOTE: Proper winterizing is based on the recommended manufacturer's instructions listed on the “Protection Chart” shown on the back label of most antifreeze containers.

DIRECT FEED MODELS:

1. Remove the water supply hose from the unit and attach the 3 foot hose securely to the inlet connection.
2. Shut off the detergent injector (if applicable).
3. Fill one 5 gallon container with water.
4. Holding the 3 foot hose in an upright position, completely fill the hose with water. Then plug the open end of the hose with your thumb or finger. Place the plugged end into the 5 gallon container of water.
5. Start the unit. Trigger the gun several times until all the air is worked out of the system (unit is primed).
6. With the trigger gun held open, siphon enough water out of the 5 gallon container until there is just enough water left to mix with the antifreeze.
7. Point the trigger gun into the empty container. (Be certain to wear safety attire for protection from splashing.)
8. Trigger the gun until the antifreeze begins to exit the trigger gun. Release the trigger for 3 seconds, then trigger the gun for 3 seconds. Continuerecycling the trigger gun several times until all the antifreeze mixture is siphoned from the container.
9. Stop the unit.
10. Detach the 3 foot hose from the unit and drain any excess antifreeze back into the 5 gallon container.

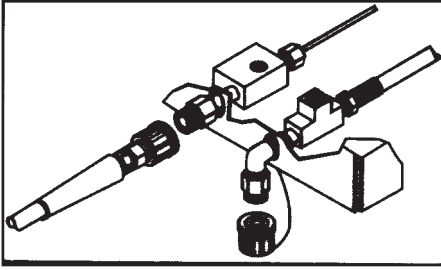
FLOAT TANK MODELS:

1. Remove lid from float tank.
2. Start the unit and squeeze the trigger gun until the float tank is almost empty.



STORAGE & MAINTENANCE

COIL DRAIN PLUG



3. Stop the unit.
 4. Mix antifreeze and water in a container that can be used for pouring the solution into the float tank.
 5. Start the unit. Point the trigger gun into the empty container. Trigger the gun until the antifreeze begins to exit the trigger gun. Continue cycling the trigger gun several times until all the antifreeze mixture is siphoned from the container.
 6. Stop the unit.
 - e. Disconnect the hose and trigger gun from the unit and drain any excess antifreeze back into the 5 gallon container.
 - f. Drain hose, trigger gun and dual lance assembly and store with the unit in a safe non-freezing area.
 - g. Store antifreeze solution for next use or dispose of according to state EPA laws.
3. OPTIONAL PROCEDURE:
- a. Shut the unit and water supply off.
 - b. Relieve system pressure by pointing the trigger gun in a safe direction and squeezing the trigger until water flow ceases or exit the nozzle.
 - c. Disconnect and drain the hose, trigger gun and dual lance assembly.
 - d. Remove the coil drain plug from the heat exchanger inlet.
 - e. Start the unit and allow it to run until all the water exits the unit. Once the water has stopped flowing from the unit, turn off.

NOTE: When using this procedure, use caution as ice chips can form from drops of water which could cause the unit to burst if starting before completely thawed.

TROUBLESHOOTING

SYMPTOM	PROBABLE CAUSE	REMEDY
Pump motor will not run.	Circuit overload.	Check wall breaker or fuse.
	GFCI tripped.	Reset.
	Motor overload.	Reset thermal overload button on pump motor or inside electrical control panel.
	Auto Start/Stop Option in use.	Point gun in a safe direction and squeeze trigger.
No discharge at nozzle when trigger mechanism is squeezed.	Inadequate water supply.	Ensure hose is 3/4" diameter and in coming water supply is turned on.
Low or fluctuating pressure.	Kink in water inlet hose.	Remove kink.
	Kink in high pressure discharge hose.	Replace kinked high pressure hose.
	Water inlet screen obstructed.	Remove screen, clean or replace.
	Pump sucking air. (Prime eliminated)	Tighten all water intake connections. Eliminate leaks in intake line.
	Adjustable Grip on Dual Lance is not in high pressure mode.	Turn grip counterclockwise to move to high pressure.
	Obstructed or worn spray nozzle.	Remove, clean or replace.
	Damaged or obstructed valve assy. on pump.	Remove, clean or replace.
	Pump packings worn.	Replace packings.
	Unloader/Bypass valve not operating correctly.	Repair or replace.
	Scale build-up in heat exchanger coil.	Descale coil.
Water is leaking from Thermal Relief valve.	Water inlet temperature is too high	Incoming water temperature must be less than 125°.
	Water temperature is too high.	Do not allow unit to operate in bypass mode (with the trigger gun closed) for more than three minutes.
	Defective valve.	Replace.
Oil appears milky or foamy.	Water in oil.	Change pump oil. Fill to proper level.
Oil leaking from unit.	Worn seals or o-rings.	Contact Customer Service.
Detergent will not siphon .	Detergent strainer is not completely submerged in detergent solution.	Check, submerge if necessary.
	Detergent strainer obstructed.	Inspect, clean or replace.
	Detergent hose cut, obstructed or kinked.	Inspect, clean or replace.
	Detergent adjusting knob turned to closed position.	Open adjusting knob. Refer to "Cleaning with Detergents".
Detergent will not siphon into the Low Pressure Mode.	Adjustable grip on dual lance is not in low pressure mode.	Turn grip clockwise to move to low pressure.
	Too many high pressure hose extensions attached to the water outlet.	Use one extension maximum.
	Nozzle assembly is plugged.	Clean or replace.
	Ball & Spring in Venturi stuck.	Remove, clean or replace.

TROUBLESHOOTING

SYMPTOM	PROBABLE CAUSE	REMEDY
Water flows back into detergent container.	Check valve missing or corroded.	Remove, clean or replace.
Water flows from the nozzle when the trigger gun is locked in the "OFF" position.	Trigger gun is malfunctioning.	Repair or replace.
Water is leaking under heat exchanger coil.	Coil drain plug is not installed.	Install.
	Safety Relief device is relieving caused by an unloader or pressure switch malfunction.	1. Detect and correct unloader or pressure switch problem. 2. Replace safety relief device. NEVER run unit without safety relief device. Doing so can cause an explosion!
Burner will not ignite.	Switch is not in "Burner" position.	Check switch position.
	No voltage.	Contact Customer Service.
	Out of fuel.	Refuel. (Reset burner primary control on cad cell options.)
	Fuel pickup screen obstructed.	Consult Service.
	Trigger gun is closed.	Open trigger gun for pressure.
	Pressure switch override.	Pressure should be over 250 PSI to allow burner to come on.
	High limit switch override.	Unit will automatically reignite when cool.
	Flexible coupler broken.	Replace.
	Dirty or clogged fuel filter/water sep.	Drain or replace as necessary.
	Fuel pump sucking air.	Tighten all fuel intake connections. Eliminate leaks in intake line.
	Fuel pump inoperative.	Check pressure, replace if needed.
	Dirty or clogged fuel nozzle.	Replace.
	Improper burner air adjustment.	Adjust as explained.
	Ignition transformer failure.	Replace.
	Ignition electrodes damaged or worn.	With unit running and trigger gun closed, look through burner sight glass to ensure there is sparking across electrodes.
	Fuel solenoid valve failure.	Replace.
Steam Option:	Steam Mode.	Verify Burner/Steam switch is in "Steam" mode.
	Steam mode: Pump Head PSI too high.	Reduce pressure to 350PSI.
Cad Cell Option:	Primary control lock-out.	Reset.
Burner motor will not run.	Switch is not in "Burner" position.	Check switch position.
	No voltage.	Consult Customer Service.
	Motor overload.	Motor automatically resets when cool.
	Fuel pump seized.	Allow motor to cool. Repair or replace.
	Blower Fan seized.	Allow motor to cool. Repair or replace.

TROUBLESHOOTING

SYMPTOM	PROBABLE CAUSE	REMEDY
Burner runs erratically.	Water in the fuel oil.	Drain fuel filter/water separator. Drain fuel tank, and replace with clean fuel.
	Dirty fuel filter/water separator.	Replace element.
	Dirty fuel nozzle.	Replace.
	Fuel pickup screen obstructed.	Consult Customer Service.
	Improper air adjustment setting.	Adjust as explained.
	Fuel pump malfunctioning.	Replace.
Burner runs, but will not heat.	Poor or improper fuel supply.	Check fuel to ensure it is correct. Drain tank and replace filter if necessary and refill with proper fuel.
	Low fuel pump pressure.	Check fuel pump pressure, adjust or replace if needed.
	Dirty fuel nozzle.	Replace.
	Fuel pickup screen obstructed.	Consult Customer Service.
	Improper air adjustment setting.	Adjust as explained.
	Scale build up in heat exchanger coil.	Consult your Customer Service.
Burner discharges white smoke.	Low on fuel.	Refuel. If white smoke persists, consult Customer Service.
	Poor or improper fuel supply.	Check fuel pump pressure, adjust or replace if needed.
	Dirty fuel nozzle.	Replace.
	Fuel pickup screen obstructed.	Consult Customer Service.
	Improper air adjustment setting.	Adjust as explained.
	Cold combustion chamber start-up.	Run burner for several minutes.
	Excessive air supply.	Adjust as explained.
Burner discharges black smoke.	Insufficient air supply.	Adjust as explained.
	Combustion chamber loaded with unburned fuel.	Consult Customer Service.

MAINTENANCE CHART

PROCEDURE	DAILY	3 MONTHS	6 MONTHS	9 MONTHS	12 MONTHS
Inspect electrical cord	X				
Test GFCI	X				
Test voltage and amp draw					X
Check water pump oil level	X				
Change water pump oil **		X	X	X	X
Oil leak inspection	X				
Fuel leak inspection	X				
Water leak inspection	X				
Hose inspection	X				
Water inlet filter inspection	X				
Check fuel filter/water separator	X				
Inspect belt		X	X	X	X
Replace high pressure nozzle***		X	X	X	X
Replace fuel filter/water separator					X
Inspect fuel pump filter*					X
Replace fuel nozzle*					X
Check burner air adjustment		X	X	X	X
Check burner electrodes*					X
Test water pressure*		X	X	X	X
Test fuel pressure*		X	X	X	X
Test water temperature*		X	X	X	X
Descale coil****					X

* Must be performed by an authorized service technician.

** The pump oil must be changed after the first 50 hours of operation and every 250 hours or 3 months, whichever comes first.

*** High pressure nozzle should be replaced whenever pressure is less than 85%.

**** Scale build-up will vary with mineral content in the water and amount of usage. Descaling can range from weekly to yearly maintenance.

OPTIONS

		HSE-1002-0MG10	HSE-1502-0MG10	HSE-2003-0MG10	HSE-1002-0MM11	HSE-1502-0MM11	HSE-2003-0MM11	HSE-2504-0M10	HSE-2504-0M30	HSE-3004-0M10	HSE-3004-0M30	HSE-3504-0M10	HSE-3504-0M30	HSE-4004-0M10	HSE-4004-0M30
HX-0070	Auto Start/Stop							X	X	X	X	X	X	X	X
HX-0071	Auto Start/Stop Steam							X	X						
HX-0072	Auto Start/Stop Steam									X	X				
HX-0073	Auto Start/Stop Steam											X	X	X	X
HX-0074	Auto Start/Stop Cad							X	X	X	X	X	X	X	X
HX-0075	Auto Start/Stop Steam/Cad							X	X						
HX-0076	Auto Start/Stop Steam/Cad									X	X				
HX-0077	Auto Start/Stop Steam/Cad											X	X	X	X
HX-0085	480 Volt								X						
HX-0086	480 Volt										X				
HX-0087	480 Volt												X		X
HX-0088	Skid Feet							X	X	X	X	X	X	X	X
HX-0161	Hour Meter							X	X	X	X	X	X	X	X
HX-0232	Steam	X	X												
HX-0233	Adjustable Thermostat	X	X	X	X	X	X								
HX-0235	Hour Meter	X	X	X	X	X	X								
HX-0237	Auto Start/Stop	X	X	X	X	X	X								
HX-0238	Time Delay Shutdown	X	X	X	X	X	X								
HX-0239	Steam				X	X									
HX-0240	Steam			X											
HX-0241	Steam						X								
50-0161	High Pressure Detergent				X	X	X								

ACCESSORIES

		HSE-1002	HSE-1502	HSE-2003	HSE-2504	HSE-3004	HSE-3504	HSE-4004
15-0006	Supply Hose 3/4"	X	X	X	X	X	X	X
50-0195	Hose Reel 13" (Holds 100' Of Hose)	X	X	X	X	X	X	X
50-0196	Hose Reel 16" (Holds 200' Of Hose)	X	X	X	X	X	X	X
50-0140	Bracket For Hose Reel (22" Bar)	X	X	X				
852-0161	Jumper Hose For Hose Reel (4000 PSI)	X	X	X				
852-0138	Jumper Hose For Hose Reel (4000 PSI)				X	X	X	X
850-0174	Extension Hose 50' (3000 PSI)	X	X	X	X			
850-0199	Extension Hose 50' (4500 PSI)	X	X	X	X	X	X	X
AW-3000-0035	Sandblaster Carbide Nozzle*			X			X	X
AW-3000-0004	Sandblaster Carbide Nozzle *	X			X	X		
AW-4085-0016	Pump Oil	X	X	X	X	X	X	X
AW-7002-4045	Rotating Nozzle* (2000 PSI)	X						
AW-7004-0045	Rotating Nozzle* (3000 PSI)				X	X		
AW-7010-0001	Rotating Nozzle* (3600 PSI)		X	X			X	
AW-7003-1500	Rotating Brush *	X	X	X	X	X	X	X
AW-7018-1200	Extension Wand 12' ** (3000 PSI)	X	X	X	X	X		
AW-7018-1800	Extension Wand 18' ** (3000 PSI)	X	X	X	X	X		
AW-7018-2400	Extenson Wand 24' ** (3000 PSI)	X	X	X	X	X		
AW-7020-8003	Rotary Surface Cleaner 20" ** (4000 PSI)	X	X	X	X	X	X	X
AW-7020-8001	Rotary Surface Cleaner 28" ** (4000 PSI)	X	X	X	X	X	X	X

*Requires 17-0028 1/4" Female Quick Connect

**Requires 17-0004 3/8" Female Quick Connect

***PSI and GPM must be specified when ordering.

All Purpose Cleaner, Paint Surface Prep, House & Deck Wash and Heavy Duty Degreaser are specially formulated detergents for use with all HSE pressure washers and are packaged in One (1), Five (5) and Fifty-five (55) gallon containers. Contact Customer Service Department at (800) 553-9053 for more information.

STATEMENT OF WARRANTY

The manufacturer warrants all parts, (except those referred to below), of your new pressure washer to be free from defects in materials and workmanship during the following periods:

For Lifetime against freezing and cracking:

Pump Manifold

For Seven (7) Years from the date of original purchase:

High Pressure Pump

For Three (3) Years from the date of original purchase:

Heat Exchanger Coil

For Two (2) Years from the date of original purchase:

Frame Plumbing Guard or Shields Pulleys

For One (1) Year from the date of original purchase:

Adjustable Thermostat GFCI Cord Selector switch

Starter Contactor Overload

For Six (6) months from the date of original purchase:

Ignition Transformer Burner Motor

For Ninety (90) days from the date of original purchase:

Unloader Valve Electrodes Fuel solenoid

High Limit thermostat Fuel Pump Pressure Switch

Safety Relief Valve

For Thirty (30) days from the date of original purchase:

High Pressure Hose Trigger Gun Strainers / Filters Wand

Defective parts not subject to normal wear and tear will be repaired or replaced at our option during the warranty period. In any event, reimbursement is limited to the purchase price paid.

EXCLUSIONS

1. The motor is covered under separate warranty by its respective manufacturer and is subject to the terms set forth therein.
2. Normal wear parts:
Pump Packings Spray Nozzles Pump Valves
Detergent Valves Fuel Filters
Quick Couplers/screw connects O-rings Belts
3. This warranty does not cover parts damaged due to normal wear, misapplication, misuse, operation at other than recommended speeds, pressures or temperature. Parts damaged or worn because of the use of caustic liquids or by operation in abrasive or corrosive environments or under conditions causing pump cavitation are not warranted. Failure to follow recommended operating and maintenance procedures also voids warranty.
4. The use of other than Genuine Repair Parts will void warranty. Parts returned, prepaid to our factory or to an Authorized Service Center will be inspected and replaced free of charge if found to be defective and subject to warranty. There are no warranties which extend beyond the description of the face hereof. Under no circumstances shall the manufacturer bear any responsibility for loss of use of the unit, loss of time or rental, inconvenience, commercial loss or consequential damages.

For Service or Warranty Consideration, contact
Mi-T-M® Corporation, 50 Mi-T-M Drive, Peosta, IA 52068
563-556-7484 / 800-553-9053 / Fax 563-556-1235
Monday - Friday 8:00 a.m. - 5:00 p.m. CST

TABLE DES MATIÈRES

INTRODUCTION	31
INSTRUCTIONS IMPORTANTES DE SÉCURITÉ	32
RISQUE DE DÉCHARGE ÉLECTRIQUE OU D'ÉLECTROCUTION	32
RISQUE D'EXPLOSION OU D'INCENDIE	33
RISQUE D'ASPHYXIE.....	33
RISQUE DE PIQÛRE OU DE COUPURES GRAVES	33
RISQUE DE BRÛLURE	34
RISQUE D'ÉCLATEMENT	34
RISQUE PROVENANT DES PIÈCES MOBILES	35
RISQUE DE BLESSURES CORPORELLES.....	35
CARACTÉRISTIQUES DES PETITS UTILISANT RÉSERVOIR À FLOTTEUR.....	37
CARACTÉRISTIQUES DE PETITE ALIMENTATION DIRECTE	38
CARACTÉRISTIQUES GRAND.....	39
INSTRUCTIONS D'INSTALLATION ET DE PRÉPARATION	40
VÊTEMENT:	40
INSTALLATION:	40
RACCORDEMENT DU CORDON DE SECTEUR:	40
RÉSERVOIR DE CARBURANT	42
LANCE DOUBLE A PRESSION REGLABLE:.....	42
RACCORDEMENT DE LA DOUBLE LANCE:	42
APPROVISIONNEMENT EN EAU:	42
DECHARGEUR:.....	43
SOUPAPE DE DECHARGE DE LA CHALEUR:	43
PROCÉDURES D'INSPECTION DE PRÉDÉMARRAGE:	43
CONSIGNES D'UTILISATION	45
VIDANGE DU SYSTÈME:	45
DEMARRAGE/FONCTIONNEMENT A L'EAU FROIDE:	45
FONCTIONNEMENT À L'EAU CHAUDE:	46
FONCTIONNEMENT A LA VAPEUR:.....	47
NETTOYAGE AVEC DES DETERGENTS:	47
ARRÊT:	48
CONSIGNES DE STOCKAGE ET D'ENTRETIEN	49
ENTRETIEN SPECIFIQUE:	49
PREPARATION POUR L'HIVER:	50
GUIDE DE DÉPANNAGE.....	52
TABLEAU D'ENTRETIEN	56
OPTIONS	57
ACCESSOIRES	58
BON DE GARANTIE:	59

⚠ AVERTISSEMENT

⚠ AVERTISSEMENT: Ce produit peut vous exposer à des produits chimiques, tel que le plomb, qui est reconnu par l'état de la Californie comme étant une cause de cancer, d'anomalies congénitales et d'autres problèmes liés à la reproduction. Pour plus de renseignements, aller à www.P65Warnings.ca.gov

⚠ AVERTISSEMENT

⚠ AVERTISSEMENT: Ce produit peut vous exposer à des agents chimiques, y compris carbon monoxide, identifiés par l'État de Californie comme pouvant causer des malformations congénitales ou autres troubles de l'appareil reproducteur. Pour de plus amples informations, prière de consulter www.P65Warnings.ca.gov.

INTRODUCTION

Félicitations de l'achat de votre nouveau nettoyeur haute pression! Vous pouvez être assuré que votre nouveau nettoyeur haute pression a été construit et conçu avec qualité et performance à l'esprit. Chaque composant a été rigoureusement testé afin d'atteindre le plus haut niveau de fiabilité.

Le manuel de l'utilisateur a été dressé pour que vous en retiriez le meilleur parti. Par la lecture et l'application des mesures simples de sécurité, d'installation, d'opération, d'entretien et de dépannage décrites dans ce manuel, votre nouveau nettoyeur haute pression fonctionnera sans faille pendant de nombreuses années. Le contenu de ce manuel est basé sur la dernière information disponible du produit au moment de la publication. Le fabricant se réserve le droit d'effectuer des changements de prix, de couleur, de matériaux, d'équipement, de caractéristiques ou de modèles à tout moment sans préavis.

! IMPORTANT !

Ces paragraphes sont entourés par un " ENCADRÉ ALERTE SÉCURITÉ ". Cet encadré est utilisé pour indiquer et souligner les avertissements de sécurité qui doivent être suivis en utilisant ce nettoyeur haute pression.

En plus des avertissements de sécurité, des "mots d'alerte" sont utilisés pour indiquer le degré ou niveau de risque. Les "mots d'alerte" utilisés dans ce manuel sont les suivants:

DANGER: INDIQUE UNE SITUATION AU DANGER IMMINENT QUI, SI ELLE N'EST PAS ÉVITÉE, ENTRAÎNERA LA MORT OU DES BLESSURES GRAVES.

AVERTISSEMENT: INDIQUE UNE SITUATION POTENTIELLEMENT DANGEREUSE QUI, SI ELLE N'EST PAS ÉVITÉE, POURRAIT ENTRAÎNER LA MORT OU DES BLESSURE GRAVES.

ATTENTION: INDIQUE UNE SITUATION POTENTIELLEMENT DANGEREUSE, QUI, SI ELLE N'EST PAS ÉVITÉE, PEUT ENTRAÎNER DES DOMMAGES CORPORELS MINEURS OU MODÉRÉS.

Les symboles placés à gauche de ce paragraphe sont des "symboles d'alerte de sécurité". Ces symboles sont utilisés pour souligner les objets ou les procédures qui pourraient être dangereux pour vous ou tout autre personne utilisant cet équipement.



FOURNISSEZ TOUJOURS UNE COPIE DE CE MANUEL A TOUTE PERSONNE UTILISANT CET EQUIPEMENT. LISEZ TOUTES LES INSTRUCTIONS AVANT D'UTILISER CE NETTOYEUR ET SOYEZ PARTICULIEREMENT ATTENTIF AUX "AVERTISSEMENT DE SÉCURITÉ" POUR EMPECHER LA POSSIBILITÉ DE BLESSURES POUR L'UTILISATEUR

Une fois l'appareil déballé, écrivez immédiatement le numéro de série de votre appareil dans l'espace ci-dessous

NUMERO DE SÉRIE _____

Assurez-vous qu'il n'y a pas de signes de dommages évidents ou cachés suite au transport. En cas de dommage, remplissez immédiatement une réclamation avec la compagnie de transport. Assurez-vous que toutes les pièces endommagées sont remplacées et les problèmes mécaniques et électriques corrigés avant l'utilisation de l'appareil. Si vous avez besoin d'assistance, entrez en contact avec votre service clientèle.

Veillez avoir les informations suivantes disponibles pour toute intervention:

1. Numéro de modèle
2. Numéro de série
3. Date et lieu d'achat

INSTRUCTIONS IMPORTANTES DE SÉCURITÉ

RISQUE DE DÉCHARGE ÉLECTRIQUE OU D'ÉLECTROCUTION



Des risques de mort ou de blessures graves peuvent survenir si la machine n'est pas reliée à la terre correctement. Votre nettoyeur haute pression est alimenté par électricité et pourrait provoquer une décharge électrique ou une électrocution si il n'est pas utilisé correctement.

Cet appareil doit être relié à la terre. Assurez-vous que le nettoyeur haute pression est équipé d'un GFCI (Disjoncteur Différentiel à fuite de terre) dans le cordon d'alimentation d'énergie. Si ce n'est pas le cas, le nettoyeur haute pression doit être branché à un réceptacle qui est protégé par un GFCI. Débranchez entre les utilisations.

Si votre appareil est équipé d'un GFCI, ne laissez pas tomber le GFCI car des dommages pourraient en résulter. Si vous laissez tomber accidentellement le GFCI, testez le avant l'utilisation suivante pour vous assurer qu'il est en état de marche. (suivez les instructions du GFCI pour les procédures de test)

Assurez-vous que l'appareil reçoit toujours le voltage approprié. Avant de brancher l'appareil à une source d'énergie compatible, assurez-vous que le commutateur est en position "off". Débranchez entre chaque utilisation.

Ne modifiez en aucun cas la prise fournie avec le produit. Si celle ci n'entre pas dans la prise femelle, faites en installer une par un électricien qualifié. Ne pas utiliser d'adaptateur.

Un choc électrique peut se produire par le fil électrique

Vérifiez que le cordon d'alimentation n'a pas d'écrasement, de coupures ou de dommages résultant de la chaleur. Si une prise ou un cordon d'alimentation a besoin d'être changé, remplacez le avec un produit identique.

N'utilisez pas de rallonge électrique avec ce produit.

Maintenez toutes les connexions au sec et pas sur le sol. Ne pas laisser de fil électrique tremper dans l'eau ou dans une position telle que le contact avec l'eau serait possible. Ne pas toucher la prise avec les mains mouillées

Ne pas tirer sur le fil électrique pour le débrancher de la prise.

Un choc électrique peut se produire si le nettoyeur haute pression n'est pas utilisé correctement.

Ne dirigez pas le jet sur ou dans des installations électriques d'aucune sorte ! Ceci inclut les prises électriques, les ampoules, les boîtes à fusibles, les transformateurs électriques, l'appareil lui-même.

Ne pas laisser de composant métallique de la machine entrer en contact avec des composants électriques sous tension.

Ne jamais mettre en marche le nettoyeur haute pression avec les protections/carters démontés ou endommagés.

Toute réparation ou câblage électrique effectué sur le nettoyeur doit être réalisé par le Personnel de Service Autorisé et selon les dispositions électriques en vigueur.

Des risques de mort ou de blessures graves peuvent survenir si des réparations électriques sont effectuées par des personnes incompetentes.

Avant d'ouvrir n'importe quel boîtier électrique, coupez toujours le nettoyeur haute pression, relâcher la pression et débranchez la machine de la source d'énergie. Laissez le nettoyeur haute pression refroidir. Ne partez pas du principe qu'il est sans risque d'effectuer un travail sur le nettoyeur haute pression juste parce qu'il n'est pas en route. Il pourrait se remettre en marche à tout moment! Tout travail doit s'effectuer dans un endroit propre, sec, et plat.

INSTRUCTIONS IMPORTANTES DE SÉCURITÉ

RISQUE D'EXPLOSION OU D'INCENDIE

Il y a un risque de mort ou de blessures graves dues à des étincelles normales dans les multiples sources d'allumage ou dans l'échappement du brûleur.

Utilisez toujours le nettoyeur dans un endroit bien aéré où il n'y a pas de vapeurs inflammables, de la poussière de combustible, des gaz ou d'autres matériaux combustibles.

Ne rangez pas le nettoyeur haute pression près d'une flamme ou d'un équipement tel qu'un fourneau, d'un four, d'un chauffe-eau, etc., équipé d'une lampe témoin ou d'un dispositif d'étincellement.

N'employez pas ce nettoyeur haute pression pour pulvériser un matériau inflammable!

Ne fumez pendant le remplissage du réservoir de carburant.

Ne jamais remplir le réservoir de carburant alors que la machine est chaude ou en marche. Laissez refroidir deux minutes avant le réapprovisionnement en combustible.

Il y a un risque de mort ou de blessures graves si l'approvisionnement en carburant n'est pas correctement effectué. Ne réapprovisionnez pas en combustible en intérieur ou dans un secteur mal aéré.

Remplissez toujours le réservoir de carburant lentement pour éviter que du carburant ne soit renversé, ce qui pourrait causer un risque d'incendie.

Réservoir de carburant:

Utiliser du fuel oil n° 1 ou n° 2 / diesel ou kérosène. Ne pas utiliser d'essence, d'écoulements de carter ou d'huile contenant de l'essence, de l'huile/diesel ou des dissolvants.

N'utilisez pas l'appareil si du carburant diesel est renversé. Essayez le nettoyeur haute pression et éloignez-le de la flaque. Évitez d'allumer quoi que ce soit jusqu'à l'évaporation totale du diesel.

Il y a un risque de mort ou de blessures graves si les sécurités du système ne sont pas correctement entretenues.

Ce nettoyeur haute pression est muni d'un dispositif de sécurité qui ne doit en aucun cas être changé, modifié, retiré ou être rendu inopérant. Si ce dispositif n'est plus en état de marche, remplacez le immédiatement et uniquement par la pièce de rechange du fabricant d'origine.

RISQUE D'ASPHYXIE

La mort ou de graves blessures pourraient survenir si vous inhalez des gaz dangereux rejetés par l'échappement du brûleur

N'utilisez jamais cet nettoyeur haute pression dans un lieu clos. Assurez-vous toujours que la ventilation est propice (air frais à l'extérieur) à la respiration et la combustion. Ceci empêchera la formation de gaz dangereux d'oxyde de carbone. Méfiez-vous des secteurs mal aérés, ou des secteurs où les ventilateurs ne peuvent assurer qu'un faible renouvellement d'air.

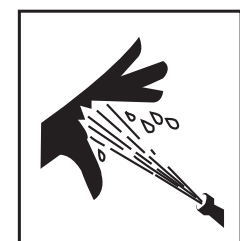
Suivez toutes les instructions de sécurité fournies avec les matériaux que vous pulvériserez. L'utilisation d'un respirateur peut être exigée en travaillant avec certains matériaux. N'utilisez pas ce nettoyeur haute pression pour vaporiser des détergents dangereux.

RISQUE DE PIQÛRE OU DE COUPURES GRAVES

La mort ou de graves blessures peuvent résulter de la pénétration du jet d'eau à haute pression dans la peau.

Restez à l'écart de la buse et du jet! Ne mettez jamais vos mains, doigts ou corps directement en face de la buse pulvérisatrice.

Le manuel de l'utilisateur



INSTRUCTIONS IMPORTANTES DE SÉCURITÉ

L'utilisateur ne doit pas orienter le jet vers d'autres individus ou lui-même

Ce produit doit être employé exclusivement par les utilisateurs qualifiés.

Maintenez votre zone de travail à l'écart d'autrui.

Une surveillance étroite est nécessaire quand l'appareil est utilisé près d'enfants. Ne permettez pas aux enfants de se servir de l'appareil!

DEMANDER UN SECOURS MEDICAL SI LE JET SEMBLE AVOIR PENETRE LA PEAU! NE TRAITEZ PAS CELA COMME UNE SIMPLE COUPURE!!

Les tuyaux à haute pression et les lignes d'alimentation en combustible doivent être inspectés quotidiennement pour surveiller l'état d'usure de l'appareil. Si des signes d'usure sont apparents, remplacez promptement tous les tuyaux et lignes d'alimentation en combustible suspects pour empêcher d'éventuels dommages du jet à haute pression. Si un tuyau ou un réglage de précision fuit, **NE METTEZ JAMAIS VOTRE MAIN DIRECTEMENT SUR LA FUITE.**

N'actionnez jamais le pistolet avec la gâchette bloquée en position ouverte. Pour empêcher le débit accidentel, la sécurité du pistolet de déclenchement doit être mise quand celui-ci ne sert pas.

Avant d'enlever la buse de pulvérisation ou d'entretenir l'appareil, coupez **TOUJOURS** l'appareil, puis déclenchez le pistolet pour relâcher la pression. (même après l'arrêt de l'appareil, il y a encore de l'eau à haute pression dans la pompe, le tuyau et le pistolet jusqu'à ce que vous la relâchiez en pressant sur la gâchette du pistolet.)

RISQUE DE BRÛLURE

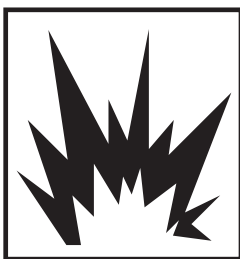


Ne pas toucher l'échangeur de chaleur sous peine de graves blessures. Ce secteur peut rester chaud pendant un certain temps après l'arrêt du nettoyeur haute pression.

Ne jamais laisser aucune partie de votre corps rentrer en contact avec l'échangeur de chaleur.

Ne laissez pas l'appareil sans surveillance après l'arrêt et ce jusqu'à ce qu'il soit complètement refroidi comme stipulé dans les procédures d'"ARRÊT" énumérées à la page 20 de ce manuel.

RISQUE D'ÉCLATEMENT



De graves blessures peuvent résulter d'une dysfonction de la machine ou d'éléments explosifs si les composants ou les accessoires de la machine sont inadéquats.

Ne faites jamais faire de modifications aux pressions pré-réglées d'usine

N'excédez jamais l'estimation maximale de pression du fabricant des accessoires.

Ne pas laissez de tuyau entrer en contact avec l'échangeur de chaleur afin d'éviter l'éclatement. Évitez de traîner les tuyaux sur des surfaces abrasives telles que le ciment.

Pour la réparation, utiliser seulement les pièces recommandées par le fabricant pour votre nettoyeur haute pression.

Un danger de blessure sérieuse ou de mort existe si l'on essaye de démarrer le nettoyeur quand le système de pompage est gelé.

Par des températures en-dessous de zéro, l'appareil doit toujours être assez chaud pour empêcher la formation de glace dans la pompe. S'il a été transporté dans un véhicule ouvert ou mal chauffé, ne pas démarrer le nettoyeur avant d'avoir attendu le dégel de la pompe.

INSTRUCTIONS IMPORTANTES DE SÉCURITÉ

RISQUE PROVENANT DES PIÈCES MOBILES

Les pièces mobiles peuvent provoquer de graves blessures.

Ne jamais faire de réglages de l'appareil quand celui-ci est connecté au secteur.

Ne pas mettre l'appareil en route sans tous ses caches de protections.

Suivez les instructions d'entretien indiquées dans le manuel.

RISQUE DE BLESSURES CORPORELLES

La mort ou des blessures graves peuvent survenir si des détergents entrent en contact avec la peau.

APPELEZ UN MEDECIN si vous utilisez des agents nettoyants et que le jet semble avoir pénétré la peau! **NE TRAITÉZ PAS CELA COMME UNE SIMPLE COUPURE!** Préparez vous à dire à un médecin exactement quel genre de détergents vous employez en regardant la fiche matérielle de sécurité (MSDS) fournie avec votre détergent.

N'employez jamais aucun dissolvant ou détergent fortement corrosifs ou encore des décapants de type acides avec cette machine à pression.

Le matériel vestimentaire de protection tel que les combinaisons en caoutchouc, les gants et les respirateurs sont recommandés, particulièrement en utilisant des détergents de nettoyage.

Gardez tous les détergents hors de la portée des enfants!

De sérieuses blessures peuvent être causées par des débris propulsés à haute vitesse à partir du pistolet pulvérisateur. Portez **TOUJOURS** les lunettes protectrices lorsque vous utilisez le nettoyeur, afin de vous protéger les yeux contre d'éventuels débris volants et de détergents.

Ne dirigez pas le jet vers des matériaux fragiles comme le verre car ceux-ci pourraient se briser.

Si le nettoyeur haute pression est équipé d'un dispositif de démarrage/arrêt automatique, l'appareil se coupera jusqu'à ce que le pistolet soit déclenché. Pour éviter une décharge accidentelle de haute pression, évitez de laisser la machine sans surveillance quand ce mode est enclenché.

L'utilisateur pourrait se blesser s'il perd l'équilibre à cause de la poussée d'eau à haute pression dans la buse pulvérisatrice.

Restez alerte, observez bien ce que vous faites. N'utilisez pas l'appareil sous l'effet de la fatigue, de l'alcool ou de la drogue.

Ne **JAMAIS** actionner la gâchette du pistolet sauf si la sécurité est enclenchée.

Ne **PAS** tendre le bras trop loin ni se tenir sur un appui instable. Maintenez une bonne assise et un bon équilibre.

Les surfaces humides peuvent être glissantes, portez une protection pour les pieds, gardez une bonne assise et un bon équilibre en permanence.

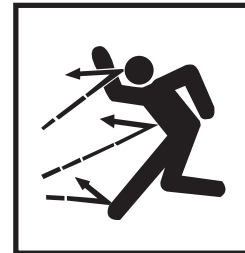
Ne jamais déclencher le pistolet lorsque vous êtes sur une échelle ou un toit.

Le nettoyeur haute pression peut blesser.

Tenez **TOUJOURS** fermement le pistolet et la lance au démarrage et en utilisant l'appareil. Faute de quoi, la lance peut tomber et fouetter dangereusement.

Sachez stopper le nettoyeur haute pression et purger la pression rapidement. Soyez complètement au courant des contrôles.

Ne laissez pas l'appareil pressurisé sans surveillance. Coupez le nettoyeur haute pression relâchez la pression avant de partir.



INSTRUCTIONS IMPORTANTES DE SÉCURITÉ

Ne démarrez pas l'appareil si vous voyez toute fuite de carburant, de pétrole ou d'eau de la machine. Après coup, ne redémarrer l'appareil qu'après inspection et réparation de la machine par un personnel qualifié.

Mettez l'appareil dans un endroit propre, sec, et plat pour l'entretien. Avant d'entretenir l'appareil: arrêtez l'appareil, relâcher la pression de l'eau du pistolet de déclenchement, et laisser l'appareil se refroidir. Entretenez la machine dans un endroit propre, sec, et plat. Si possible, bloquez les roues pour éviter que l'appareil ne se déplace.

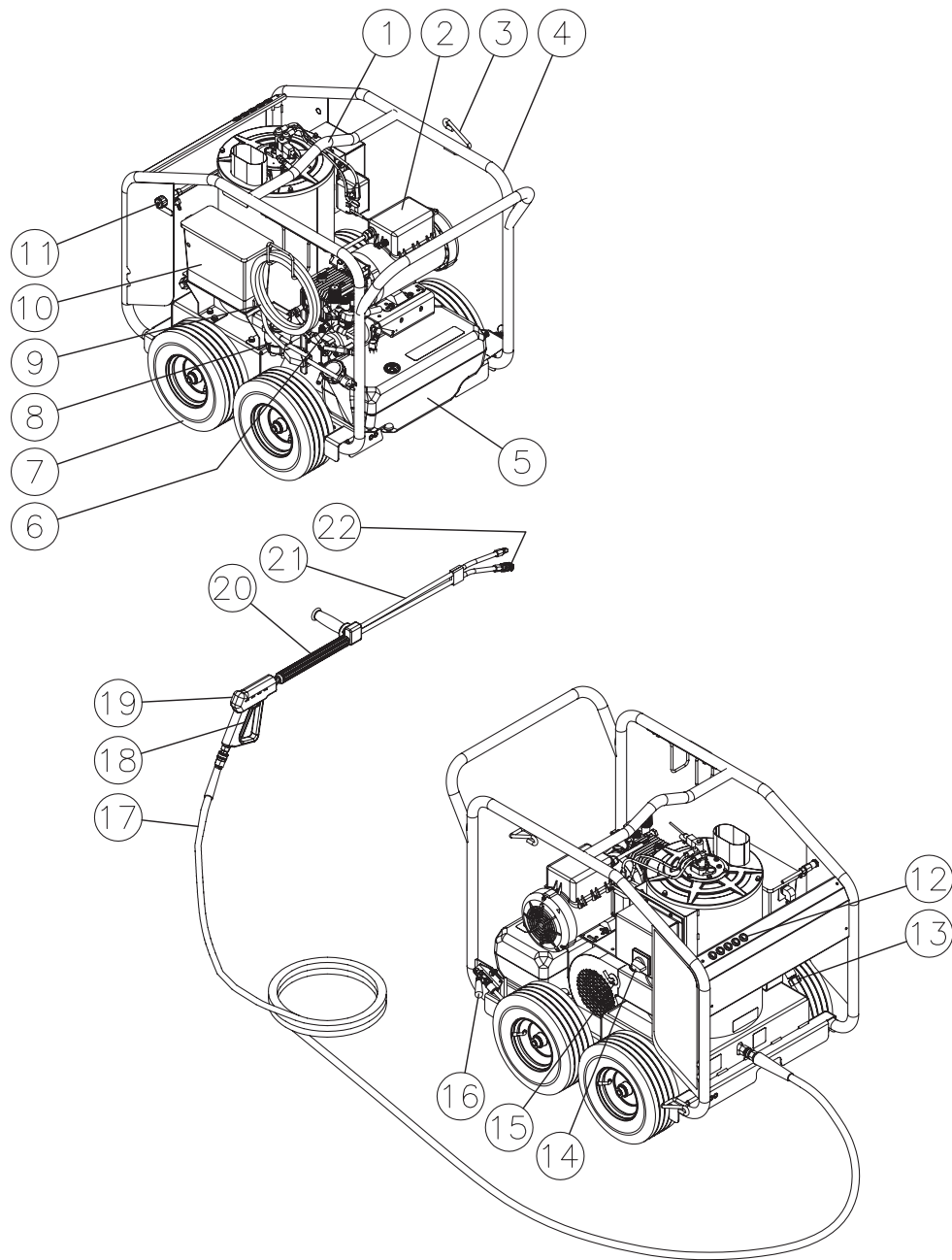
Ne déplacez pas l'appareil en tirant sur le tuyau.



!GARDEZ CES INSTRUCTIONS!



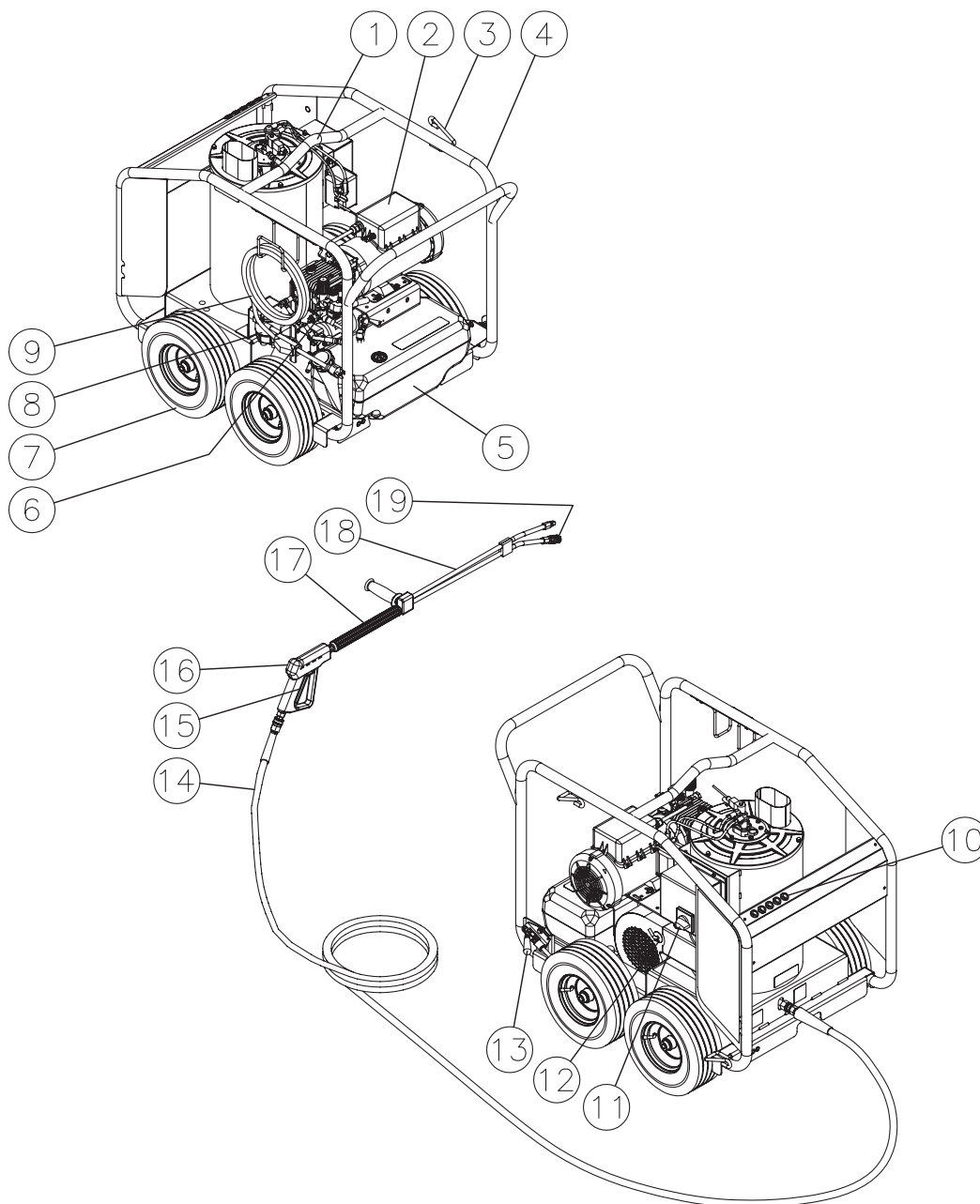
CARACTÉRISTIQUES DES PETITS UTILISANT RÉSERVOIR À FLOTTEUR



HSE SMALL FEATURES _WITH FLOAT TANK 022713

- | | |
|---|--|
| 1. Crochet de levage d'équilibre central | 12. Porte-buse de pulvérisation |
| 2. Moteur de pompe TEFC | 13. Admission d'eau |
| 3. Support de lance | 14. Interrupteur d'extinction /pompe/brûleur |
| 4. Carénage de protection | 15. Réglage d'air du brûleur |
| 5. Réservoir de carburant | 16. Frein |
| 6. Pompe à haute pression avec/déchargeur | 17. Tuyau à haute pression |
| 7. Plats roues libres | 18. Sécurité de déclenchement |
| 8. Séparateur d'eau/carburant | 19. Pistolet de déclenchement |
| 9. Fil électrique de 35ft (10m) avec GFCI | 20. Lance isolée |
| 10. Réservoir d'eau | 21. Lance double à pression réglable |
| 11. Clapet de régulation des détergents | 22. Buse que les pulvérisations |

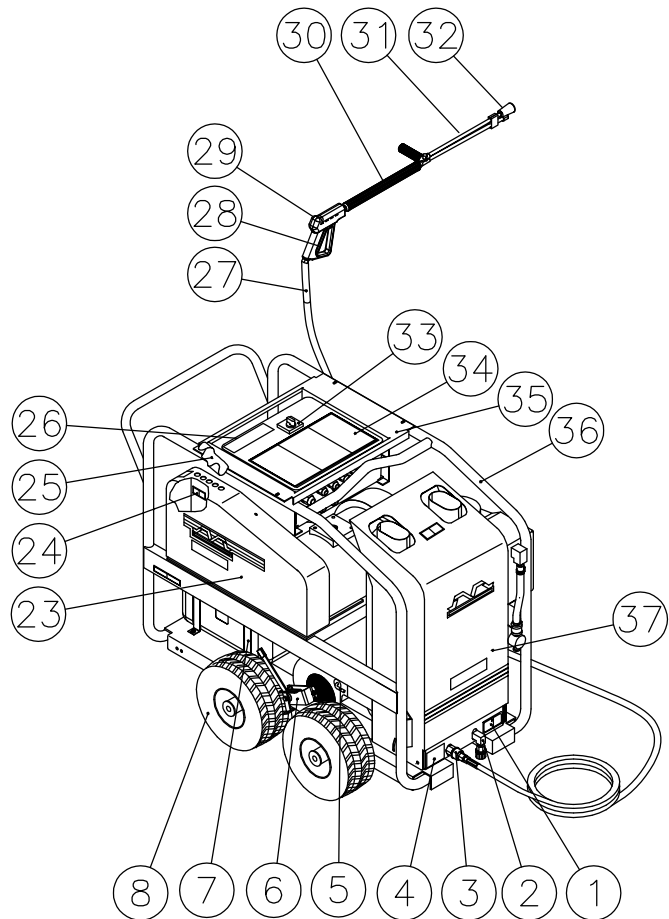
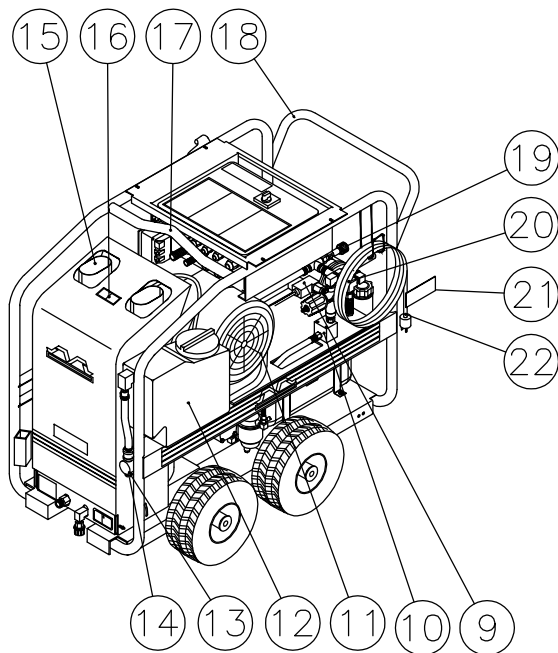
CARACTÉRISTIQUES DE PETITE ALIMENTATION DIRECTE



HSE SMALL FEATURES_direct feed 022713

- | | |
|---|--|
| 1. Crochet de levage d'équilibre central | 11. Interrupteur d'extinction /pompe/brûleur |
| 2. Moteur de pompe TEFC | 12. Réglage d'air du brûleur |
| 3. Support de lance | 13. Frein |
| 4. Carénage de protection | 14. Tuyau à haute pression |
| 5. Réservoir de carburant | 15. Sécurité de déclenchement |
| 6. Pompe à haute pression avec/déchargeur | 16. Pistolet de déclenchement |
| 7. Plats roues libres | 17. Lance isolée |
| 8. Séparateur d'eau/carburant | 18. Lance double à pression réglable |
| 9. Fil électrique de 35ft (10m) avec GFCI | 19. Buse que les pulvérisations |
| 10. Porte-buse de pulvérisation | |

CARACTERISTIQUES GRAND



1. Décalque: risque d'explosion
2. Vidange d'enroulement
3. Sortie à haute pression
4. Plaque de données
5. Réglage d'air du brûleur
6. Frein
7. Réservoir de carburant
8. Roues
9. Interrupteur à pression
10. Tuyau à haute pression
11. Moteur de pompe TEFC
12. Réservoir d'eau
13. Coupelle de la crépine
14. Admission d'eau
15. Echappement d'échangeur de chaleur
16. Décalque d'avertissement: chaud
17. Crochet de levage d'équilibre central
18. Poignée de Poussez/Tirez
19. Clapet de régulation des détergents

20. Décalque de mise en garde: Risque d'incendie
21. Décalque: étiquette d'accrochage
22. Fil électrique avec GFCI
23. Courroie de sécurité
24. Décalque d'avertissement attention/électrique
25. Tuyau à haute pression
26. Décalque d'avertissement: électrique
27. Tuyau à haute pression
28. Sécurité de déclenchement
29. Pistolet de déclenchement
30. Lance isolée
31. Lance double à pression réglable
32. Buse
33. Interrupteur (Arrêt/Marche/Brûleur)
34. Décalque d'avertissement/Attention/Opérationnel
35. Tableau de commande
36. Carénage de protection
37. Caches de protection

0mHSE015-032905-RZ



INSTRUCTIONS D'INSTALLATION ET DE PRÉPARATION

VÊTEMENT:

Le vêtement approprié est essentiel pour votre sécurité. Il est conseillé d'employer tous les moyens nécessaires pour protéger les yeux, les oreilles, et la peau. Un élément vestimentaire additionnel de sécurité (tel que le masque respiratoire) peut être exigé lors de l'utilisation d'agents nettoyants avec cette machine.

⚠ DANGER RISQUE D'EXPLOSION OU D'INCENDIE NE PAS PLACER L'APPAREIL DANS UN ENDROIT OU DES VAPEURS INFLAMMABLES PEUVENT ETRE PRESENTES. UNE ETINCELLE POURRAIT LE FAIRE EXPLOSER

⚠ RISQUE D'ÉCLATEMENT DE L'APPAREIL! NE PAS RANGER/ UTILISER L'APPAREIL A DES TEMPERATURES GLACIALES

INSTALLATION:

1. Cet appareil doit toujours être placé sur une surface plane afin d'assurer une lubrification appropriée de la pompe à eau pendant le fonctionnement. Ne JAMAIS pulvériser d'eau directement sur l'appareil.

⚠ AVERTISSEMENT RISQUE D'ASPHYXIE! N'UTILISER CE PRODUIT QUE DANS DES ZONES BIEN AERÉES NE TRAVAILLEZ PAS DANS UN LIEU CLOS. L'ÉCHAPPEMENT CONTIENT DE L'OXYDE DE CARBONE, UN GAZ TOXIQUE, INODORE ET INVISIBLE. INHALER CE GAZ PEUT PROVOQUER DE SÉRIEUX DOMMAGES OU LA MORT.

2. N'employez pas l'appareil dans un endroit:
 - a. où la ventilation est insuffisante.
 - b. où il y a des traces de pétrole ou de carburant.
 - c. où des vapeurs de gaz inflammable peuvent être présentes.
3. Engagez le frein pour empêcher l'appareil de se déplacer tout en fonctionnant.
4. Ne laissez pas l'appareil exposé à la pluie, à la neige ou à des températures glaciales. Si une partie de l'appareil venait à geler, une pression excessive pourrait s'accumuler dans l'appareil, ce qui pourrait le faire éclater ayant pour résultat des dommages sérieux pour l'utilisateur ou pour des tiers .
5. Le niveau d'huile de pompe doit être vérifié avant chaque utilisation. Assurez-vous que l'huile est au point «Full « sur le jaugeur ou au centre de l'orifice de vérification d'huile. Si le niveau semble être bas, faites le plein avec de l'huile de pompe, n #AW-7085-0016.

RACCORDEMENT DU CORDON DE SECTEUR:

⚠ DANGER RISQUE D'ELECTROCUTION! CET APPAREIL DOIT ETRE CONNECTE A UNE PRISE MISE A LA TERRE. N'UTILISEZ PAS D'ADAPTATEUR ET NE RETIRER PAS LE CONNECTEUR DE TERRE

1. Assurez-vous que le commutateur du moteur est en position «off».
2. Assurez-vous que l'alimentation électrique est conforme aux caractéristiques stipulées de la plaque de données de la machine.
3. INSTRUCTIONS pour la MISE A LA TERRE: Ce produit doit être raccordé à la terre. Si une dysfonction ou une panne devait survenir, la masse fournit un circuit de résistance moindre pour le courant électrique afin de réduire le risque de décharge. Ce produit est équipé d'un fil électrique ayant un conducteur pour la terre et une prise de masse. La fiche doit être branchée à une sortie appropriée correctement installée et reliée à la terre selon tous les codes et dispositions en vigueur locaux.
4. DANGER: Un mauvais raccordement du conducteur de masse peut avoir comme conséquence un risque d'électrocution. Vérifiez avec un électricien ou un personnel de service qualifié si vous avez un doute quant au raccordement

INSTRUCTION D'INSTALLATION ET DE PRÉPARATION

de la masse. Ne modifiez pas la prise fournie avec le produit – si elle ne rentre pas dans la prise de courant, faites installer une prise appropriée par un électricien qualifié. N'employez aucun type d'adaptateur avec ce produit.

5. GFCI (DISJONCTEUR DIFFÉRENTIEL à FAUTE de TERRE)
 - a. MONOPHASÉ: Si cette machine est fournie avec le GFCI (Ground Fault Circuit Interrupter : Disjoncteur différentiel) dans la prise ou le cordon d'alimentation, examinez le GFCI chaque fois qu'il est branché à une sortie selon les instructions du GFCI. N'utilisez pas la machine si l'essai échoue!
Le GFCI assure une protection supplémentaire en cas de risque de décharge électrique. Si le remplacement de la prise ou du cordon devient nécessaire, employez seulement des pièces de rechange identiques qui incluent la protection GFCI.
 - b. MONOPHASÉ: Si cet appareil n'est pas fourni avec un GFCI, il doit en revanche être exclusivement relié à un réceptacle protégé par un GFCI afin de se conformer au code électrique national (NFPA 70) et fournir une protection supplémentaire contre le risque de décharge électrique.
 - c. TRIPHASÉ: Ces appareils ne sont pas équipés de protection de GFCI.

⚠ AVERTISSEMENT RISQUE D'ELECTROCUTION! POUR REDUIRE LE RISQUE D' ELECTROCUTION, GARDER LES CONNECTIONS SECHES ET AU DESSUS DU SOL. NE PAS TOUCHER LA PRISE LES MAINS MOUILLEES.

6. RALLONGES ÉLECTRIQUES: Le fabricant NE RECOMMANDE PAS L'UTILISATION DE RALLONGES ELECTRIQUES! Si l'utilisation d'une rallonge électrique est inévitable, elle doit être branchée à un GFCI se trouvant dans des boîtiers de circuit ou des réceptacles protégés. Lors de l'utilisation d'une rallonge électrique, consultez un électricien qualifié pour déterminer la mesure appropriée de fil électrique requise pour la longueur de la rallonge électrique.

MONOPHASÉ: Utiliser exclusivement des rallonges électriques à trois fils qui ont des prises à trois connecteurs ainsi qu'une prise femelle à trois connecteurs acceptant la prise du produit.

TRIPHASÉ: Utiliser exclusivement des rallonges électriques à quatre fils qui ont une prise de terre et trois connecteurs ainsi qu'une prise femelle à quatre connecteurs acceptant la prise du produit. Utiliser exclusivement des rallonges qui sont prévues pour l'usage extérieur. Ces rallonges sont identifiées par une inscription « approprié pour fonctionner avec des appareils extérieurs; ranger en intérieur entre chaque utilisation.» Utilisez seulement les rallonges ayant une intensité électrique au moins égale à l'intensité électrique du produit. N'employez pas de rallonges électriques abîmées. Examinez la rallonge avant chaque utilisation et remplacez-la si elle est endommagée. Ne malmenez pas la rallonge et ne tirez sur aucun fil pour le débrancher. Tenez le fil électrique à l'écart de la chaleur et des bords coupants. Branchez et débranchez toujours la rallonge électrique du réceptacle avant de brancher ou débrancher celle-ci de l'appareil.

7. Assurez-vous que l'endroit se trouvant entre le fil de la machine et la prise est au sec
8. Insérez la fiche mâle dans une prise de courant alternatif mise à la terre. N'utilisez pas un adaptateur ou ne retirez pas la prise de terre!!

⚠ DANGER RISQUE D'INCENDIE! -NE PAS FUMER EN REMPLISSANT LE RESERVOIR D'ESSENCE -NE PAS REMPLIR LE RESERVOIR QUAND L'APPAREIL EST CHAUD OU EN MARCHE. LAISSEZ L'APPAREIL REFROIDIR 2 MINS AVANT L'APPROVISIONNEMENT -NE PAS TROP REMPLIR LE RESERVOIR LAISSEZ TOUJOURS 1/4 DU RÉSERVOIR VIDE.

INSTRUCTION D'INSTALLATION ET DE PRÉPARATION

RÉSERVOIR DE CARBURANT

⚠ AVERTISSEMENT RISQUE D'EXPLOSION OU D'INCENDIE!
RANGER LE CARBURANT LOIN DE L'APPAREIL LORSQUE CE DERNIER EST CHAUD OU EN MARCHÉ.

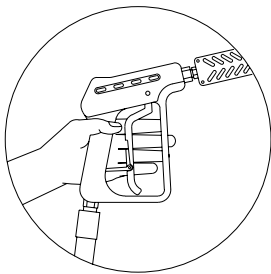
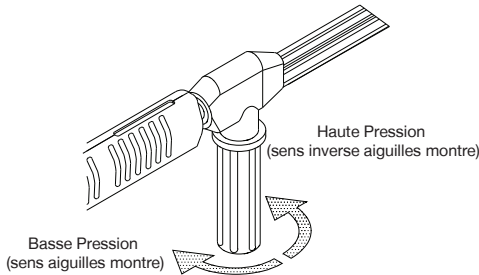
1. Lire avec attention “ Risque d’explosion ou d’incendie ”, avant remplissage.
2. Localisez les décalques de sécurité sur votre appareil et observez leurs avertissements.
3. Remplissez le réservoir de carburant avec du carburant propre de bonne qualité, fuel oil n° 1 ou n°2/ diesel ou kérosène. N’utilisez pas d’essence!

LANCE DOUBLE A PRESSION REGLABLE:

⚠ AVERTISSEMENT RISQUE D'INJECTION CAUSANT DES BLESSURES GRAVES! -LA SECURITE DU PISTOLET DOIT ETRE ENCLENCHEE ENTRE CHAQUE UTILISATION -NE JAMAIS REGARDER DIRECTEMENT DANS LA BUSE SAUF SI CELLE CI EST DECONNECTEE DE LA DOUBLE LANCE.

Cet appareil comporte une double lance à pression réglable qui permet à l'utilisateur de choisir une pulvérisation à haute ou basse pression. Tournez simplement la poignée réglable sur la double lance pour choisir la pression désirée.

1. Le choix de la haute pression peut être effectué en tournant la poignée réglable de la double lance dans le sens contraire des aiguilles d’une montre comme représenté sur la figure ci-dessous.
2. Le choix de la basse pression peut être effectué en tournant la poignée réglable sur la double lance dans le sens des aiguilles d’une montre comme représenté sur la figure ci-dessous.



RACCORDEMENT DE LA DOUBLE LANCE:

1. Assurez-vous que le pistolet de déclenchement est bloqué en position “off”.
2. Reliez la double lance au pistolet de déclenchement (si approprié). Assurez-vous que le raccordement est solidement serré.

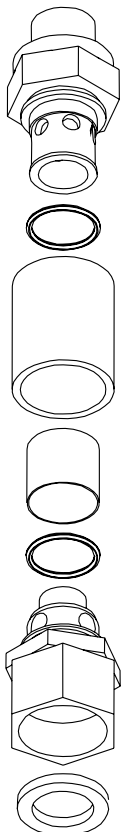
APPROVISIONNEMENT EN EAU:

Alimentation sous pression:

1. Choisissez un tuyau d’approvisionnement en eau qui soit un tuyau de jardin de qualité mesurant au moins 3/4 in. (19mm) de diamètre et pas plus de 50 ft (15m).
2. S’assurer que la crépine est propre et libre d’obstructions. Vérifier que le réservoir à flotteur est libre de corps étrangers ou de débris. Une cavitation qui causera la défaillance prématurée des garnitures de la pompe peut survenir si l’écoulement d’eau à la pompe devient restreint.
3. Relier une extrémité du tuyau d’approvisionnement en eau à l’entrée du réservoir à flotteur et l’autre extrémité à l’approvisionnement en eau pressurisé.

NOTE: S’il y a une teneur en minéraux élevée dans votre eau, on recommande l’emploi d’un adoucissant afin empêcher la possibilité d’un dépôt excessif de calcaire à l’intérieur de l’enroulement d’échangeur de chaleur.

4. Suivez les exigences pour l’eau entrante énumérées ci-dessous:
 - a. La pression de l’eau doit être entre un minimum de 20 PSI (1.4 kg/cm²) et un maximum de 65 PSI (4.6kg/ cm²)
 - b. Le débit à l’entrée doit être approximativement un gallon (3.8l) de plus que le débit à la sortie, lequel est indiqué sur la plaque signalétique de la machine. (vous pouvez vérifier le débit en chronométrant en combien de temps il remplit un récipient de 5 gallons (19l)).



INSTRUCTION D'INSTALLATION ET DE PRÉPARATION

- c. La température de l'eau à l'entrée ne doit pas excéder 125°F (52°C). La pompe peut subir des dommages si la température excède ce niveau.
5. Ne laissez jamais l'appareil fonctionner sans le tuyau d'arrivée d'eau raccordé et l'approvisionnement en eau complètement ouvert.

DECHARGEUR:

Modèles standard:

Le déchargeur a été pré réglé à l'usine.

Modèles avec option de vapeur:

Le déchargeur a un bouton de réglage qui a un minimum/maximum. Tourner le déchargeur dans le sens des aiguilles d'une montre au maximum pour le fonctionnement eau froide/eau chaude. Tourner dans le sens contraire des aiguilles d'une montre au réglage minimum pour le fonctionnement en mode vapeur.

SOUPAPE DE DECHARGE DE LA CHALEUR:

S'assurer que la température de l'eau n'excède pas la limite de tolérance, ne jamais laisser la machine fonctionner en mode de déviation (l'appareil en marche et le déclenchement fermé) pendant plus de trois minutes.

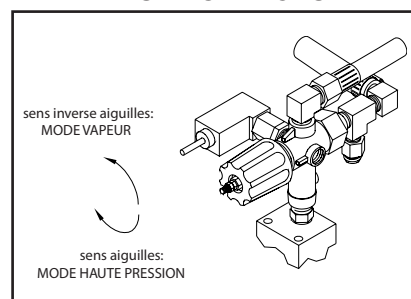
Une clapet de décharge de la chaleur a été ajouté à cet appareil pour protéger la pompe. Cet clapet ouvrira et relâchera l'eau si la température de l'eau dans la pompe a excédé 140° F (60°C). Ceci permettra à de l'eau fraîche d'entrer dans le système, empêchant par là même la défaillance prématurée des joints de pompe.

PROCÉDURES D'INSPECTION DE PRÉDÉMARRAGE:

Avant de démarrer l'appareil, exécutez les procédures suivantes:

1. Inspectez les cordons électriques pour s'assurer qu'il n'ont pas de coupure. Si une coupure est trouvée, **NE TOUCHEZ PAS OU N'UTILISER PAS LE CORDON!** Remplacez le cordon avant de démarrer l'appareil.
2. Vérifiez le niveau d'huile dans la pompe.
3. Inspectez la crépine d'admission de l'eau. Nettoyez ou remplacez au besoin. Voir "approvisionnement en eau", # 2.
4. Vérifiez tous les raccordements de flexibles pour s'assurer qu'ils sont solidement serrés.
5. Vérifiez qu'il n'y a pas de fuites d'eau du système, de fuites d'huile et de fuites de carburant. Si vous trouvez une fuite de carburant, **NE DEMARREZ PAS L'APPAREIL!** Voir "risque d'explosion ou d'incendie", page 34. Assurez-vous que toutes les pièces endommagées sont remplacées et de que les problèmes mécaniques sont corrigés avant utilisation de l'appareil. Si vous avez besoin d'assistance, entrez en contact avec le service clientèle.
6. Inspectez les flexibles à haute pression afin de déceler d'éventuelles compressions, coupures ou fuites. Si vous trouvez une coupure ou une fuite, **N'UTILISEZ PAS LE TUYAU!** Remplacez le avant de démarrer l'appareil. Voir "risque de piqûre ou de coupure grave", page 35. Assurez-vous que toutes les pièces endommagées sont remplacées et que les problèmes mécaniques sont corrigés avant l'utilisation de l'appareil. Si vous avez besoin d'assistance, prenez contact avec le service clientèle.

VALVE DU DECHARGEUR



⚠️ AVERTISSEMENT ⚠️

**LES PAGES SUIVANTES CONTIENNENT LES CONSIGNES D'UTILISATION ET D'ENTRETIEN
NE TENTEZ PAS DE FAIRE FONCTIONNER L'APPAREIL AVANT D'AVOIR LU ET COMPRIS
TOUTES LES INSTRUCTIONS DE SÉCURITÉ CONTENUES DANS CE MANUEL.
L'UTILISATION INAPPROPRIÉE DE CET APPAREIL PEUT CAUSER DES BLESSURES
SÉRIEUSES
NE PAS ALTERER OU MODIFIER L'ÉQUIPEMENT EN AUCUNE MANIÈRE!**

CONSIGNES D'UTILISATION

VIDANGE DU SYSTEME:

Cet appareil a un enrouleur en acier qui, après réglage, fera en sorte que l'eau restante dans l'enrouleur de la précédente utilisation tourne au brun ou au noir. Cette eau doit être vidangée du système avant le démarrage. Ce procédé doit être exécuté sans le tuyau à haute pression, pistolet et double lance installés.



AVERTISSEMENT RISQUE DE DOMMAGES POUR L'APPAREIL. ASSUREZ VOUS QUE LE PISTOLET DECLENCHEUR ET LA DOUBLE LANCE NE SONT PAS RACCORDES LORS DE LA VIDANGE DU SYSTEME LA VIDANGE PERMET AU SYSTEME D'EVACUER LES DEPOTS MINERAUX, QUI OBSTRUERAIENT OU ENDOMMAGERAIENT LA BUSE ET LE PISTOLET DECLENCHEUR, PROVOQUANT DES REPARATIONS COUTEUSES.

MODELES D'ALIMENTATION DIRECTE:

1. Allumez l'approvisionnement en eau.
2. L'eau à basse pression commencera à couler de la sortie d'eau. Ceci permet à l'appareil de rincer toutes les particules du système. L'appareil est rincé quand l'eau est claire.
3. Une fois que le système est rincé, enclencher le commutateur en position "OFF" et reliez le tuyau à haute pression à la sortie d'eau de l'appareil.
4. Raccordez le pistolet de déclenchement et la double lance au tuyau à haute pression.
5. Allumez l'approvisionnement en eau.

MODÈLES RÉSERVOIR À FLOTTEUR:

1. Allumez l'approvisionnement en eau.
2. Enclenchez le commutateur en position "pompe". L'eau à basse pression commencera à couler de la sortie d'eau. Ceci permet à l'appareil de rincer toutes les particules du système. L'appareil est rincé quand l'eau est claire.
3. Une fois que le système est rincé, enclencher le commutateur en position "OFF" et reliez le tuyau à haute pression à la sortie d'eau de l'appareil.
4. Raccordez le pistolet de déclenchement et la double lance au tuyau à haute pression.

DEMARRAGE/FONCTIONNEMENT A L'EAU FROIDE:

1. Référez-vous aux " mesures de sécurité " pgs. 32-39 avant de démarrer l'appareil.
2. Localisez les décalques de sécurité sur votre appareil et observez leurs avertissements.
3. Assurez-vous que le commutateur est en position "OFF".
4. En dirigeant le pistolet de déclenchement dans une direction sûre, désenclenchez la sécurité du pistolet de déclenchement et pressez la gâchette. Préparez-vous au possible contrecoup du pistolet quand la pompe démarra.



AVERTISSEMENT RISQUE D'INJECTION CAUSANT DES BLESSURES GRAVES! -ELOIGNEZ VOUS DE LA BUSE! NE PAS METTRE LES MAINS OU LES DOIGTS DEVANT LA BUSE! -NE PAS DIRIGER LE JET DIRECTEMENT SUR DES PERSONNES OU ANIMAUX DOMESTIQUES! -L'OPTION AUTOMATIQUE DE MARCHÉ/ARRÊT COUPERA L'APPAREIL JUSQU'AU DÉCLENCHEMENT DU PISTOLET. AFIN D'ÉVITER UN ACCIDENT AVEC LE JET À HAUTE PRESSION, NE LAISSEZ PAS L'APPAREIL SEUL LORSQU'IL EST SUR CE MODE.

5. Enclenchez le commutateur en position "pompe".

Le manuel de l'utilisateur

CONSIGNES D'UTILISATION

6. Une fois que l'appareil a démarré, exécutez les procédures suivantes avec le pistolet ouvert:
 - a. Déceler les éventuelles fuites d'eau de système, les fuites d'huile et les fuites de carburant. Si une fuite de carburant est trouvée, **ARRÊTEZ L'APPAREIL IMMÉDIATEMENT!** Voir "Risque d'explosion ou d'incendie". Assurez-vous que toutes les pièces endommagées sont remplacées et que les problèmes mécaniques sont corrigés avant utilisation de l'appareil. Si vous avez besoin d'assistance, entrez en contact avec le service clientèle.
 - b. Inspectez les tuyaux à haute pression afin d'y déceler une éventuelle compression, coupure ou fuite. Si vous trouvez une coupure ou une fuite, **NE TOUCHEZ PAS LE TUYAU QUI FUIT!!! ARRETEZ L'APPAREIL IMMÉDIATEMENT!** Remplacez le tuyau avant de démarrer l'appareil. Voir "Risque de piqûre ou de coupure grave" page 35. Assurez-vous que toutes les pièces endommagées sont remplacées et que les problèmes mécaniques sont corrigés avant le fonctionnement de l'appareil. Si vous avez besoin d'assistance, entrez en contact avec le service clientèle.
7. Pour l'instant, l'appareil fonctionne comme nettoyeur haute pression d'eau froide. Déclenchez le pistolet plusieurs fois et essayez d'ajuster la pression de l'eau en tournant la poignée de la double lance. Ne mettez jamais la main ou les doigts devant la buse et ne regardez jamais directement dans la buse! L'eau à haute pression provoque un risque de blessure grave!
8. Ne jamais laisser l'appareil fonctionner en mode de déviation (avec le déclenchement fermé) pendant plus de trois minutes. Le non-respect de cette règle simple peut causer la défaillance prématurée des joints de pompe, il en résulterait une réparation coûteuse de la pompe.

NOTE: Si cet appareil est équipé du dispositif de Marche/Arrêt automatique, il s'arrêtera de lui-même si le pistolet n'est pas déclenché après un temps prédéfini. L'appareil redémarrera quand le pistolet sera actionné. Le dispositif automatique Marche/Arrêt est pré réglé à l'usine pour s'arrêter à 90 secondes. Il peut être réglé par un technicien de service autorisé pour s'arrêter après une non-utilisation d'un minimum de 3 secondes à un maximum de 5 minutes.

9. Votre appareil peut délivrer un jet à haute pression et des types variés de jet en utilisant l'eau froide. Si vous souhaitez utiliser l'eau chaude, la vapeur ou le nettoyage avec des détergents, voir la page 45 pour les procédures correctes.

⚠ ATTENTION RISQUE DE DOMMAGES NE PAS DIRIGER LE JET AU MEME ENDROIT PENDANT LONGTEMPS. DES DOMMAGES POSSIBLES POURRAIENT AFFECTER L'ENDROIT

FONCTIONNEMENT À L'EAU CHAUDE:

⚠ AVERTISSEMENT RISQUE DE BRÛLURE! LA TEMPERATURE DE L'EAU PEUT DEVENIR TRÈS ÉLEVÉE PENDANT LE FONCTIONNEMENT À LA VAPEUR. SOYEZ PRUDENT EN REGLANT LA PRESSION ET EN MANIPULANT LA DOUBLE LANCE ET LE PISTOLET DE DÉCLENCHEMENT!

1. Suivez les étapes 1-8 données pour " DEMARRAGE/FONCTIONNEMENT A L'EAU FROIDE ".
2. Enclenchez le commutateur en position "brûleur". Au démarrage, l'eau commencera à chauffer en approximativement 20 secondes et atteindra la température maximale en approximativement 2-1/2 minutes, si la gâchette reste pressée. Le brûleur cesse de chauffer quand la gâchette est relâchée.

NOTE: Pendant la pulvérisation, il est normal que le brûleur chauffe par intermittence. Le commutateur thermique fera cesser la combustion quand la température de l'eau déchargée excédera la température

CONSIGNES D'UTILISATION

réglée sur le commutateur. La combustion recommencera quand la température de l'eau chutera au dessous du réglage minimum.

Après cela, l'appareil fonctionne comme nettoyeur haute pression d'eau chaude. Soyez extrêmement prudent en réglant la pression et en inspectant le pistolet de déclenchement / double lance afin d'éviter la possibilité de brûlures.

FONCTIONNEMENT A LA VAPEUR:

1. Suivez les étapes 1-8 données pour " DEMARRAGE/FONCTIONNEMENT A L'EAU FROIDE ".
2. Assurez-vous que le clip à l'extrémité de la double lance est assez froid pour pouvoir le toucher, puis retirez la buse à haute pression pour le remplacer par la buse de vapeur. retirez la tuyau à haute pression pour le remplacer par la tuyau de vapeur.
3. Tournez le bouton du déchargeur complètement dans le sens contraire des aiguilles d'une montre au réglage minimum.
4. Tournez le commutateur sur "vapeur".

NOTE: Le brûleur s'arrêtera si le commutateur est tourné sur "vapeur" sans réglage préalable du déchargeur au minimum ou en marche en mode haute pression.)

Après cela, l'appareil fonctionne comme nettoyeur haute pression de vapeur. Soyez extrêmement prudent en réglant la pression et en inspectant le pistolet de déclenchement /double lance pour éviter la possibilité de brûlures.

NETTOYAGE AVEC DES DETERGENTS:

NOTE: Ce dispositif est conçu pour être utilisé avec les détergents doux uniquement. Parce que la solution de nettoyage circule par de diverses parties de la machine, n'employez pas de corrosifs car ils causeront des dommages conséquents et présenteront un risque considérable en matière de sécurité.

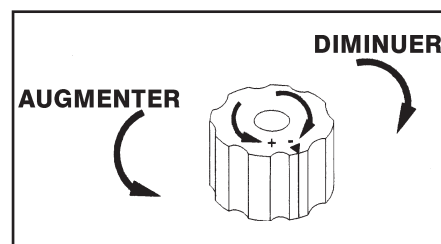
1. Référez-vous à "risques de blessures physiques/ détergents". Assurez-vous de porter un vêtement de sécurité comme indiqué.
2. Préparez la solution détersive selon les directives de l'étiquette. (jamais d'acides de pompe, alcalines, fluides abrasifs ou de dissolvants dans l'appareil. En raison des produits inconnus souvent corrosifs de beaucoup de détergents généralement utilisés dans l'industrie de nettoyage, il est recommandé d'employer uniquement des détergents doux avec cet appareil.)
3. Immergez entièrement l'extrémité de la crépine du tuyau de détergent vinylique clair dans la solution détersive.
4. ALIMENTATION DIRECTE: S'assurer que la poignée réglable de la lance double est complètement tournée dans le sens des aiguilles d'une montre pour l'utilisation de détergents à basse pression.

NOTE: Ce système d'injection est conçu seulement pour l'application de détergents sous basse pression. Les solutions de détergents ne pourront pas être introduites dans le système si la lance double n'est pas réglée en mode basse pression.

RÉSERVOIR À FLOTTEUR: Versez la quantité de détergent désirée. Tournez la valve de régulation complètement dans le sens contraire des aiguilles d'une montre pour le régler au taux maximum de siphon.

5. Pour appliquer la solution; ouvrez le pistolet de déclenchement et pressez la gâchette. En quelques instants un mélange de détergent/eau sortira de la buse. Commencez à pulvériser la partie inférieure de la surface à nettoyer et relevez-vous, tout en décrivant de longues courbes. L'application du produit du bas vers le haut aide à éviter les stries. Laissez brièvement imbiber. Évitez de travailler sur les surfaces chaudes ou au soleil pour

VALVE DE RÉGULATION DES DETERGENTS



CONSIGNES D'UTILISATION

réduire au minimum les chances du séchage de détergent, qui peut avoir comme conséquence d'abîmer ces surfaces. Appliquez la solution de nettoyage petite section par petite section.

6. Pour rincer, verrouiller le pistolet de déclenchement en position d'arrêt (OFF),

ALIMENTATION DIRECTE: Tourner la poignée réglable de la lance double dans le sens inverse des aiguilles d'une montre pour haute pression.

RÉSERVOIR À FLOTTEUR: Tournez la valve de régulation des détergents dans la position "OFF". Pressez la gâchette du pistolet de déclenchement. Cela prendra environ 30 secondes pour purger tout le détersif. Pour de meilleurs résultats au rinçage, commencez par le haut et finissez par le bas.

7. Siphonnez un gallon d'eau par le système d'injection du détergent après chaque utilisation. Cela empêche la corrosion ou le résidu détersif qui pourraient poser des problèmes mécaniques à la prochaine utilisation.

ARRÊT:



DANGER RISQUE D'INJECTION CAUSANT DE GRAVES BLESSURES! -L'OPTION AUTOMATIQUE DE MARCHE/ARRÊT COUPERA L'APPAREIL JUSQU'AU DÉCLENCHEMENT DE LA GACHETTE. L'ARRÊT TOTAL EXIGE QUE LE COMMUTATEUR "OFF/PUMP/BURNER/STEAM" SOIT TOURNÉ EN POSITION "OFF". -AFIN D'EMPECHER DES ACCIDENTS AVEC LE JET À HAUTE PRESSION, NE PAS LAISSER L'APPAREIL SANS SURVEILLANCE SANS QUE L'INTERRUPTEUR SOIT EN POSITION "OFF"

1. Enclencher le commutateur en position "pompe".
2. Pressez la gâchette et déchargez l'eau pendant une période de trois minutes pour refroidir l'échangeur de chaleur et le tuyau à haute pression. (Un temps de refroidissement du tuyau à haute pression insuffisant abîmera le tuyau et augmentera les risques de rupture de celui-ci.)
3. Déplacez le commutateur à la position de "OFF". (l'option automatique de Marche/Arrêt stoppera l'appareil, mais l'arrêt de total exige du commutateur d'être déplacé en position "OFF".)
4. Arrêtez l'approvisionnement en eau et actionnez le pistolet momentanément afin de relâcher la pression.
5. Débranchez et vidangez le tuyau à haute pression, le pistolet, et la double lance. Essuyez l'appareil et entreposez le dans un environnement où la température est supérieure à 0°C.

CONSIGNES DE STOCKAGE ET D'ENTRETIEN

ENTRETIEN SPECIFIQUE:

POMPE: Changez l'huile de pompe après les 50 premières heures d'utilisation. Après quoi, il est recommandé de changer l'huile tous les trois mois ou 250 heures. Si l'huile semble sale ou laiteuse, des changements d'une plus grande fréquence peuvent être exigés. Employez l'huile de pompe SAE20 ou 30 et remplissez seulement au centre de l'orifice de vérification d'huile. Ne remplissez pas au-dessus du niveau.

COUPLEURS RAPIDES: Il y a des joints toriques à l'intérieur des coupleurs qui se détérioreront. Pour le remplacement, installez simplement un joint torique de rechange pour stopper la fuite. (des joints toriques supplémentaires peuvent être achetés chez votre revendeur.)

BUSE: L'eau à haute pression dans la buse de pulvérisation rongera l'orifice, le rendant plus grand, ayant pour résultat une perte de pression. Les buses doivent être remplacées toutes les fois que la pression baisse au-dessous de 85% du maximum. La fréquence du remplacement dépendra des variables telles que la teneur en minéraux dans l'eau et le nombre d'heures d'utilisation de la buse.

SÉPARATEUR D'EAU/CARBURANT: le filtre de carburant est encastré dans l'extracteur d'eau. De temps en temps l'eau doit être vidangée de l'extracteur. Suivez les procédures énumérées ci-dessous:

1. Vérifiez quotidiennement la cuvette de récupération.
2. Assurez-vous que l'appareil est éteint et placez une bassine de récupération d'huile sous la cartouche de combustible
3. Débouchez le bouchon de vidange et laissez couler le carburant et l'eau souillés
4. Resserrez le bouchon de vidange une fois terminé.
5. Débarrassez-vous des eaux usées selon les règlements en vigueur dans votre région.

REGLAGE d'AIR de BRÛLEUR: L'obturateur d'air a été préréglé en usine pour un fonctionnement approprié entre le niveau de la mer et 2000 pieds (600 m) d'altitude aux conditions standard (des températures d'air et d'eau ambiantes de 60°F (15°C)). Pour assurer une efficacité de combustion maximum à des températures plus froides et des altitudes plus élevées, il conviendra de régler l'alimentation en air sur la chambre de combustion. Il est recommandé d'utiliser un testeur de fumée pour tout réglage de l'obturateur d'air. Ceci aidera à maximiser l'efficacité de brûleur et évitera que le fonctionnement devienne inefficace et que la chambre de combustion ne s'encrasse de manière excessive.

1. La machine et le brûleur doivent être en marche
2. Utilisez un testeur de fumée afin de déterminer le niveau d'air requis pour la combustion appropriée.
 - a. si le résultat est plus grand qu'un smoke #3, tournez le bras de l'obturateur dans le sens contraire des aiguilles d'une montre pour augmenter la circulation d'air dans la chambre de combustion.
 - b. Si le résultat devient jaunâtre, tournez le bras de l'obturateur dans le sens des aiguilles d'une montre pour diminuer la circulation d'air dans la chambre de combustion.
3. Maintenez le levier de réglage de l'obturateur d'air en position et desserrez l'écrou. Déplacez l'obturateur par incréments de 1/8" (3mm) et resserrez l'écrou de blocage après chaque mouvement de 1/8".
4. Pressez plusieurs fois lentement sur la gâchette du pistolet afin de s'assurer qu'il y a allumage correct. Pas de ou un tousotement léger à l'allumage, et un résultat de test de fumée de 0-3 est bon.
5. Répétez les étapes 2 et 3 jusqu'à ce que l'étape 4 soit atteinte.

CONSIGNES DE STOCKAGE ET D'ENTRETIEN

FUITES: Éliminez rapidement toutes les fuites trouvées dans le système de pompage en retirant les pièces suspectes, et en appliquant du mastic aux filetages avant de les réinstaller.

NOTE: Si vous utilisez du ruban en téflon, assurez-vous qu'aucune partie de la bande adhésive ne se retrouve dans une quelconque tuyauterie afin d'empêcher la possibilité d'un bouchon pour la buse de pulvérisation.

PREPARATION POUR L'HIVER:

Pour le stockage et le transport dans des températures glaciales, il faudra préparer l'appareil pour l'hiver. Cet appareil doit être protégé aux plus basses températures pour les raisons suivantes:

- a. si n'importe quelle partie du système de pompage venait à geler; un trop-plein de pression pourrait s'accumuler dans l'appareil, ce qui pourrait le faire éclater, il en résulterait des blessures graves pour l'utilisateur ou des tiers.
- b. le système de pompage de cet appareil peut être endommagé de manière permanente si il gèle. Les DOMMAGES de GEL NE SONT PAS COUVERTS PAR LA GARANTIE.

Si vous devez entreposer votre appareil dans un endroit où la température peut tomber en dessous de 32°F (0°C) vous pouvez tout de même protéger votre appareil en utilisant la procédure ci-dessous.



AVERTISSEMENT RISQUE D'ECLATEMENT DE L'APPAREIL. NE PAS RANGER/UTILISER L'APPAREIL PAR DES TEMPERATURES GLACIALES.

1. Rassemblez les éléments suivants:
 - a. deux récipients de 5 gallons (19l).
 - b. un gallon d'antigel. (employez un antigel qui protège l'environnement.)
 - c. un approvisionnement d'eau.
 - d. un tuyau de trois pieds (0.9 m), 1/2-3/4 ID avec un adaptateur male de 3/4 inch (19mm) pour tuyau de jardin .
2. Procédure:
 - a. pour commencer la préparation pour l'hiver, l'appareil doit être mis en marche selon "Démarrage/ Fonctionnement à l'eau froide" exposé page 43.
 - b. après la mise en route, coupez l'appareil et l'alimentation en eau.
 - c. relâcher la pression du système en dirigeant le pistolet de déclenchement dans une direction sûre et en pressant la gâchette jusqu'à ce que l'eau cesse de couler de la lance.
 - d. bloquez le pistolet de déclenchement en position "OFF" et régler la double lance sur le mode de basse pression.

NOTE: La préparation pour l'hiver correcte se base sur les instructions du fabricant énumérées sur le "tableau de protection" visible sur l'étiquette arrière de la plupart des récipients d'antigel.

MODELES D'ALIMENTATION DIRECTE:

1. Enlever le tuyau d'alimentation en eau de l'appareil et bien attacher le tuyau de 3 pieds (91cm) au raccord d'admission.
2. Fermer l'injecteur en détergent (si applicable).
3. Remplir un récipient de 5 gallons (19 litres) avec de l'eau.
4. Tout en tenant le tuyau de 3 pieds (91 cm) en position droite, le remplir entièrement avec de l'eau. Puis boucher le côté ouvert du tuyau avec votre pouce ou doigt. Mettre le côté bouché dans le récipient d'eau de 5 gallon (19 litres).

CONSIGNES DE STOCKAGE ET D'ENTRETIEN

5. Mettre l'appareil en marche. Déclencher le pistolet plusieurs fois jusqu'à ce que tout l'air soit expulsé (l'appareil sera amorçé).
6. Avec le pistolet à gâchette en position ouverte, siphonner assez d'eau du récipient de 5 gallons (91 cm) jusqu'à ce qu'il en reste juste assez pour mélanger avec l'antigel.
7. Diriger le pistolet à gâchette dans le récipient vide. (Veiller toujours à porter des vêtements de protection pour vous protéger contre les éclabousses.)
8. Appuyer sur la gâchette du pistolet jusqu'à ce que l'antigel commence à sortir du pistolet. Relâcher la gâchette pendant 3 secondes, puis appuyer sur la gâchette pendant 3 secondes. Répéter ce cycle du pistolet plusieurs fois jusqu'à ce que tout le mélange d'antigel soit siphonné du récipient .
9. Mettre l'appareil à l'arrêt.
10. Détacher le tuyau de 3 pieds (91 cm) de l'appareil et vider tout excès d'antigel dans le récipient de 5 gallons (19 litres).

MODÈLES RÉSERVOIR À FLOTTEUR:

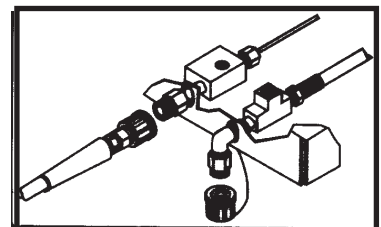
1. Enlever le couvercle du réservoir à flotteur.
2. Mettre l'appareil en marche et appuyer sur la gâchette jusqu'à ce que le réservoir à flotteur soit presque vide.
3. Mettre l'appareil à l'arrêt.
4. Mélanger l'antigel et l'eau dans un récipient qui peut être utilisé pour verser le mélange dans le réservoir à flotteur.
5. Mettre l'appareil en marche Diriger le pistolet à gâchette dans le récipient vide. Appuyer sur la gâchette du pistolet jusqu'à ce que l'antigel commence à sortir du pistolet. Répéter ce cycle du pistolet plusieurs fois jusqu'à ce que tout le mélange d'antigel soit siphonné du récipient .
6. Mettre l'appareil à l'arrêt.
 - e. démontez le tuyau et le pistolet de déclenchement de l'appareil et vidangez le surplus d'antigel dans le récipient de 5 gallons (19l)
 - f. entreposez le tuyau, pistolet de déclenchement et double lance avec l'appareil dans un endroit sûr où la température est au-dessus de 0°C. Entrez la solution d'antigel en attendant le prochain usage ou débarrassez-vous en selon les lois du pays.
 - g. entreposer la solution d'antigel pour une utilisation future ou s'en débarrasser selon les lois EPA d'état.

3. PROCÉDURE FACULTATIVE:

- a. stoppez l'appareil ainsi que l'approvisionnement en eau
- b. relâcher la pression du système en dirigeant le pistolet de déclenchement dans une direction sûre et en pressant la gâchette jusqu'à ce que l'eau cesse de couler de la buse.
- c. débranchez et vidangez le tuyau, le pistolet de déclenchement et la double lance.
- d. enlevez le bouchon de vidange d'enroulement de l'admission d'échangeur de chaleur.
- e. démarrez l'appareil et laissez la en marche jusqu'à ce que toute l'eau s'écoule de l'appareil. Après quoi, éteignez l'appareil.

NOTE: En utilisant cette procédure, faites attention car des morceaux de glace peuvent former des gouttes d'eau qui pourraient faire éclater l'appareil si on le démarrait avant qu'il soit totalement dégelé.

BOUCHON DE VIDANGE
D'ENROULEMENT



GUIDE DE DÉPANNAGE

SYMPTÔME	CAUSE PROBABLE	SOLUTION
Le moteur de la pompe refuse de fonctionner.	Surcharge Circuit électrique.	Vérifier le disjoncteur mural ou le fusible.
	GFCI (disjoncteur différentiel)déclenché.	Réenclencher
	Surcharge moteur.	Réenclencher le bouton de surchauffe sur le moteur de la pompe ou du panneau de contrôle électrique intérieur.
	L'option Marche/Arrêt automatique est utilisée	Pointez le pistolet dans une direction sûre et pressez la gâchette.
Aucune décharge ne sort de la buse lorsque la gâchette est pressée.	Approvisionnement en eau inadéquat.	S'assurer que le tuyau a un diamètre intérieur de ¾ de pouce (1.9cm) et que l'alimentation en eau est ouverte.
Aucune pression ou pression fluctuante.	Pli dans le tuyau d'admission d'eau.	Déplier.
	Pli dans le tuyau à haute pression.	Remplacer le tuyau à haute pression défectueux.
	Crépine de l'admission d'eau obstruée.	Retirer la crépine, nettoyer ou remplacer.
	La pompe aspire de l'air (Amorçage éliminé).	Resserrer tous les raccords d'arrivée d'eau. Éliminer les fuites dans les canalisations d'arrivée d'eau.
	La poignée de réglage de la lance n'est pas en mode haute pression.	Tourner la poignée (sens des aiguilles d'une montre) en mode haute pression.
	La buse de pulvérisation est obstruée ou usée.	Retirer et nettoyer ou remplacer.
	Ensemble Valve usée ou endommagée.	Retirer et nettoyer ou remplacer.
	Garnitures de pompe usées.	Remplacer les garnitures.
	Le déchargeur/La soupape de dérivation ne fonctionne pas correctement.	Réparer ou remplacer.
	Dépôt calcaire dans l'enrouleur de l'échangeur de chaleur.	Détartre.
De l'eau fuit de la soupape de décharge de chaleur.	La température d'admission d'eau est trop élevée.	La température de l'eau entrante doit être inférieure à 125°F (52°C).
	La température de l'eau est trop élevée.	Ne laissez pas l'appareil fonctionner en mode de dérivation (avec le pistolet de déclenchement fermé) pendant plus de trois minutes.
	Soupape défectueuse.	Remplacer.
L'huile est laiteuse ou écumeuse.	Présence d'eau dans l'huile.	Changer l'huile de la pompe. Remplir au niveau correct.
De l'huile s'écoule de l'appareil.	Joints ou joints toriques usés.	Contactez le service clients.
Le détergent ne se siphonne pas.	La crépine n'est pas complètement immergée dans la solution de détergent.	Vérifier, immerger au besoin.
	La crépine à détergent est obstruée.	Inspecter, nettoyer ou remplacer.
	Le tuyau à détergent est coupé, obstrué ou plié.	Inspecter, nettoyer ou remplacer.
	Le bouton de réglage du détergent est en position fermé.	Ouvrir le bouton de réglage. Voir «Nettoyage avec des détergents».

GUIDE DE DÉPANNAGE

SYMPTÔME	CAUSE PROBABLE	SOLUTION
Le détergent n'est pas siphonné pendant le mode «Détergent à basse pression».	La poignée de réglage sur la double lance n'est pas en mode basse pression.	Tournez la poignée dans le sens des aiguilles d'une montre au mode basse pression
	Trop de rallonges de tuyau à haute pression sur l'alimentation en eau.	Utiliser UNE rallonge au maximum
	La buse est bouchée.	Nettoyer ou remplacer.
	Le système bille/ressort est bloqué dans le Venturi.	Retirer, nettoyer ou remplacer.
L'eau refoule dans le réservoir à détergent.	Valve manquante ou corrodée.	Retirer, nettoyer ou remplacer.
L'eau s'écoule de la buse lorsque le pistolet déclencheur est verrouillé en position «Off ».	Le pistolet déclencheur est défectueux.	Réparer ou remplacer
L'eau s'écoule au-dessous de l'enrouleur de l'échangeur de chaleur.	Le bouchon de vidange n'est pas en place.	Le mettre en place.
	Le dispositif de sécurité s'est déclenché à cause d'un dysfonctionnement de l'interrupteur de décharge ou de pression.	1. Détecter et corriger le problème de l'interrupteur de décharge ou de pression. 2. Remplacer le dispositif de sécurité. Ne jamais utiliser l'appareil sans le dispositif de sécurité. Sinon, il pourrait en résulter une explosion.
Le brûleur refuse de s'allumer.	L'interrupteur n'est pas en position «brûleur ».	Vérifier la position de l'interrupteur.
	Pas de courant.	Contacteur le service clients.
	Plus de carburant.	Faire le plein (Repositionner le contrôle primaire du brûleur ou les options cad cell).
	La crépine d'admission du carburant est obstruée.	Contacteur le service clients.
	Le pistolet déclencheur est fermé.	Ouvrir le pistolet déclencheur pour avoir de la pression.
	Forçage de l'interrupteur pression.	La pression doit être supérieure à 250 PSI (17.5 Kg/cm ²) pour permettre au brûleur de fonctionner.
	Le limiteur de température s'est activé.	L'appareil redémarrera automatiquement après refroidissement
	Le coupleur du flexible est cassé.	Remplacer.
	Filtre/Extracteur d'eau sales ou bouchés.	Purger ou remplacer.
	La pompe à carburant aspire de l'air.	Resserrer les raccords d'arrivée de carburant. Eliminer les fuites dans les canalisations d'arrivée de carburant.
	La pompe à carburant est inopérante.	Vérifier la pression, remplacer si nécessaire.
	Le gicleur est sale ou bouché.	Remplacer.
	Mauvais réglage d'air du brûleur.	Régler comme expliqué
	Défaillance du transformateur d'allumage.	Remplacer.

GUIDE DE DÉPANNAGE

SYMPTÔME	CAUSE PROBABLE	SOLUTION
Le brûleur refuse de s'allumer.	Electrodes d'allumage usées ou cassées.	Vérifier à travers la vitre du brûleur qu'il y a des étincelles entre les électrodes pendant que l'appareil est en marche avec la gâchette fermée.
	Défaillance de la valve solénoïde de carburant.	Remplacer
	Mode PSI élevé.	Vérifier que le commutateur Brûleur/Vapeur est sur le mode Vapeur
Option Vapeur	Mode vapeur.	Vérifier que le commutateur Brûleur/Vapeur est sur le mode Vapeur
	Mode vapeur : La pression (PSI) de la tête de pompe est trop élevée.	Réduire la pression à 350 PSI (25 kg/cm ²).
Option cad cell.	Le contrôle primaire est verrouillé.	Réinitialiser.
Le moteur de brûleur refuse de fonctionner.	L'interrupteur n'est pas en position «brûleur ».	Vérifier la position de l'interrupteur.
	Pas de courant.	Contacteur le service clients.
	Surcharge moteur.	Le moteur se remet automatiquement en marche quand il refroidit.
	Pompe à carburant grippée.	Laisser le moteur refroidir. Réparer ou remplacer.
	Ventilateur grippé.	Laisser le moteur refroidir. Réparer ou remplacer.
Le moteur tourne irrégulièrement.	Présence d'eau dans le carburant.	Vidanger le filtre à carburant/ l'extracteur d'eau. Vidanger le réservoir de carburant, et remplacer par du carburant propre.
	Filtre à carburant/séparateur d'eau sales.	Remplacer.
	Gicleur carburant sale.	Remplacer.
	Crépine d'admission de carburant obstruée.	Contacteur le service clients.
	Mauvais réglage de l'air.	Adjust as explained.
	Dysfonction de la pompe à carburant.	Remplacer.
Le brûleur est en marche, mais ne chauffe pas.	Approvisionnement en carburant incorrect ou insuffisant.	Vérifier si le carburant est correct. Vidanger le réservoir, remplacer le filtre si nécessaire, et faire le plein avec du carburant propre.
	Faible pression de la pompe à carburant.	Vérifier la pression de la pompe à carburant, régler ou remplacer si nécessaire.
	Gicleur sale.	Remplacer.
	Crépine d'admission de carburant obstruée.	Contacteur le service clients.
	Réglage de l'air incorrect.	Régler comme expliqué
	Dépôt calcaire dans l'enrouleur de l'échangeur de chaleur.	Contacteur le service clients.

GUIDE DE DÉPANNAGE

SYMPTÔME	CAUSE PROBABLE	SOLUTION
De la fumée blanche sort du brûleur	Pas assez de carburant.	Remplir le réservoir. Si la fumée persiste, contacter le service clients.
	Approvisionnement en carburant incorrect ou insuffisant.	Vérifier la pression de la pompe à carburant, régler ou remplacer si nécessaire.
	Gicleur à carburant sale.	Replace.
	Crépine d'admission de carburant obstruée.	Contacter le service clients.
	Réglage d'air incorrect.	Régler comme expliqué
	La chambre de combustion est froide au démarrage.	Laisser tourner le brûleur plusieurs minutes.
	Arrivée d'air trop importante.	Régler comme expliqué
De la fumée noire sort du brûleur.	Arrivée d'air insuffisante.	Régler comme expliqué
	Présence de carburant non brûlé dans la chambre de combustion.	Contacter le service clients.

TABLEAU D'ENTRETIEN

PROCEDURE	JOUR	3 MOIS	6 MOIS	9 MOIS	12 MOIS
Inspecter le cordon électrique	X				
Tester le GFCI	X				
Tester le voltage et l'ampérage					X
Vérifier le niveau d'huile de pompe à eau	X				
Changer l'huile de pompe à eau **		X	X	X	X
Inspection de fuite d'huile	X				
Inspection de fuite de carburant	X				
Inspection de fuite d'eau	X				
Inspection du tuyau	X				
Inspection du filtre d'admission d'eau	X				
Inspection du filtre à combustible/extracteur d'eau	X				
Inspection de la courroie		X	X	X	X
Remplacement de la buse à haute pression***		X	X	X	X
Remplacement du filtre à combustible/extracteur d'eau					X
Inspection du filtre de pompe à essence*					X
Remplacement du gicleur*					X
Vérifier le réglage d'air du brûleur		X	X	X	X
Vérifier les électrodes du brûleur*					X
Tester la pression de l'eau*		X	X	X	X
Tester la pression du carburant*		X	X	X	X
Tester la température de l'eau*		X	X	X	X
Détartre l'enrouleur****					X

* Doit être exécuté par un technicien de service autorisé

** L'huile de pompe doit être changée après les 50 premières heures et toutes les 250 heures ou 3 mois, faire au plus tôt de ces deux valeurs.

*** La buse à haute pression doit être remplacée chaque fois que la pression est à moins de 85%

**** Le dépôt calcaire est amené à varier avec la teneur en minéraux dans l'eau et la fréquence d'utilisation. La fréquence de désincrustation peut varier de la semaine à l'année.

OPTIONS

		HSE-1002-0MG10	HSE-1502-0MG10	HSE-2003-0MG10	HSE-1002-0MM11	HSE-1502-0MM11	HSE-2003-0MM11	HSE-2504-0M10	HSE-2504-0M30	HSE-3004-0M10	HSE-3004-0M30	HSE-3504-0M10	HSE-3504-0M30	HSE-4004-0M10	HSE-4004-0M30
HX-0070	De Début Et De Fin Automatique							X	X	X	X	X	X	X	X
HX-0071	Vapeur De Début Et De Fin Automatique							X	X						
HX-0072	Vapeur De Début Et De Fin Automatique									X	X				
HX-0073	Vapeur De Début Et De Fin Automatique											X	X	X	X
HX-0074	Vapeur / Cad De Début Et De Fin Automatique							X	X	X	X	X	X	X	X
HX-0075	Vapeur / Cad De Début Et De Fin Automatique							X	X						
HX-0076	Vapeur / Cad De Début Et De Fin Automatique									X	X				
HX-0077	Vapeur / Cad De Début Et De Fin Automatique											X	X	X	X
HX-0085	480 Volt								X						
HX-0086	480 Volt										X				
HX-0087	480 Volt												X		X
HX-0088	Pieds De Dérapage							X	X	X	X	X	X	X	X
HX-0161	Mètre D'heure							X	X	X	X	X	X	X	X
HX-0232	Steam	X	X												
HX-0233	Thermostat Réglable	X	X	X	X	X	X								
HX-0235	Mètre D'heure	X	X	X	X	X	X								
HX-0237	De Début Et De Fin Automatique	X	X	X	X	X	X								
HX-0238	Arret Differe	X	X	X	X	X	X								
HX-0239	Vapeur				X	X									
HX-0240	Vapeur			X											
HX-0241	Vapeur						X								
50-0161	Détergents À Haute Pression				X	X	X								

ACCESSOIRES

		HSE-1002	HSE-1502	HSE-2003	HSE-2504	HSE-3004	HSE-3504	HSE-4004
15-0006	Tuyau D'approvisionnement 3/4"	X	X	X	X	X	X	X
50-0195	Bobine De Tuyau 13" (Tient 100' De Tuyau)	X	X		X	X	X	X
50-0196	Bobine De Tuyau 16" (Tient 200'De Tuyau)	X	X		X	X	X	X
50-0140	Parenthèse Pour La Bobine De Tuyau (22"" Bar)	X	X					
852-0161	Tuyau Souple De Raccordement Pour La Bobine De Tuyau (4000 PSI)	X	X					
852-0138	Tuyau Souple De Raccordement Pour La Bobine De Tuyau (4000 PSI)				X	X	X	X
850-0174	Tuyau De Prolongation 50' (3000 PSI)	X	X	X	X			
850-0199	Tuyau De Prolongation 50' (4500 PSI)	X	X		X	X	X	X
AW-3000-0035	Bec De Carbone De Sableuse*			X			X	X
AW-3000-0004	Bec De Carbone De Sableuse*	X			X	X		
AW-4085-0016	Huile De Pompe	X	X	X	X	X	X	X
AW-7002-4045	Bec Tournant* (2000 Psi)	X						
AW-7004-0045	Bec Tournant* (3000 Psi)				X	X		
AW-7010-0001	Bec Tournant* (3600 Psi)		X	X			X	
AW-7003-1500	Brosse Tournante *	X	X	X	X	X	X	X
AW-7018-1200	Baguette Magique D'extention 12' ** (3000 PSI)	X	X	X	X	X		
AW-7018-1800	Baguette Magique D'extention 18' ** (3000 PSI)	X	X	X	X	X		
AW-7018-2400	Baguette Magique D'extention 24' ** (3000 PSI)	X	X	X	X	X		
AW-7020-8003	Rotatoire Nettoyeur Surface 20" ** (4000 PSI)	X	X	X	X	X	X	X
AW-7020-8001	Rotatoire Nettoyeur Surface 28" ** (4000 PSI)	X	X	X	X	X	X	X

* Nécessite 17-0028 6.35mm (1/4") femelle Quick Connect

** Nécessite 17-0004 9.525 mm (3/8") femelle Quick Connect

*** PSI et gal/min doivent être spécifié lors de la commande.

Tous Purpose Cleaner, peinture Surface Prep, House & Deck Wash et Heavy Duty dégraissant sont des détergents spécialement formulés pour une utilisation avec tous les nettoyeurs haute pression d'HSE et sont emballés dans 3.785L (1g), 18.925L (5g) et 208.175L (55g). Contact Service clientèle au (800) 553-9053 pour plus d'informations.

BON DE GARANTIE:

Le fabricant garantit toutes les pièces, (excepté celles stipulées ci-dessous), de votre nouveau nettoyeur à pression d'eau chaude en cas de défauts de matériaux et de fabrication pendant les périodes suivantes:

Pour une vie de la congélation et de fendre:

Collecteur de la pompe

Pendant sept (7) années à partir de la date d'achat:

Pompe à haute pression

Pendant trois (3) années à partir de la date d'achat:

Enroulement d'échangeur de chaleur

Pendant deux (2) années à partir de la date d'achat:

Armature Tuyauterie Protection Poulies

Pendant un (1) an à partir de la date d'achat:

Interrupteurs de sélection Cordon électrique GFCI

Contacteur de Starter Surcharge Thermostat réglable

Pendant six (6) mois à partir de la date d'achat:

Transformateur d'allumage Moteur du brûleur

Pendant quatre vingt dix (90) jours à partir de la date d'achat

Valve de régulation Electrodes Commandes de sécurité

Solénoïde de carburant Pompe à essence mano-contact de pression

limite haut de thermostat

Pendant trente jours (30) à partir de la date d'achat

Tuyau à haute pression Pistolet de déclenchement

Crépine/ Filtres Double lance

Des pièces défectueuses dont la cause n'est ni l'usure normale ni la détérioration seront réparées ou remplacées après examen pendant la période de garantie. Quoi qu'il arrive, le remboursement est limité au prix d'achat.

EXCLUSIONS:

1. Le moteur est garanti séparément par son fabricant et est sujet aux limites ci-inclus.
2. Usure normale des pièces
Garnitures d'étanchéité de pompe Buses de pulvérisation
Valves de pompe Valve à détergent Filtre à essence
Coupleurs rapides Bagues Ceintures
3. Cette garantie ne couvre pas les pièces endommagées par l'usure normale, une mauvaise utilisation, un fonctionnement à des vitesses, pressions ou températures différentes de celles recommandées. Les pièces endommagées ou usées par l'utilisation de liquides caustiques ou par l'utilisation dans des environnements abrasifs ou corrosifs ou encore dans des conditions provoquant la cavitation de la pompe ne sont pas garanties. La garantie ne couvre pas les dégâts provoqués par un mauvais suivi des procédures de fonctionnement et d'entretien.
4. L'utilisation de pièces de réparation autres que celles d'origine annule la garantie. Les pièces renvoyées en port payé, à notre usine ou à un centre commercial agréé seront inspectées et remplacées gratuitement si elles sont effectivement défectueuses après estimation, et si elles entrent dans les conditions de la garantie. Il n'existe aucune garantie prolongeant les date d'expiration stipulées ci-dessus. Le fabricant n'est en aucun cas responsable des pertes d'usage, de temps ou de location, du dérangement, des pertes commerciales ou des dommages qui en résultent.

Pour toute question de service ou de garantie, s'adresser à"
Mi-T-M Corporation, 50 Mi-T-M Drive, Peosta, IA 52068-0050
Tél.: (563) 556-7484 / (800) 553-9053 Fax (563) 556-1235
Du lundi au vendredi, de 8 h à 17 h (H.N.C.)

TABLA DE MATERIAS

INTRODUCCION	61
ADVERTENCIAS DE SEGURIDAD	62
RIESGO DE ELECTROCUCIÓN OCHOQUE ELÉCTRICO	62
RIESGO DE EXPLOSIÓN O INCENDIO	63
RIESGO DE ASFIXIA	63
RIESGO DE EXPLOSIÓN	64
RIESGO DE INYECCIÓN O LESIÓN POR CORTADURA SEVERA	64
RIESGO DE QUEMADURAS	64
RIESGO POR PARTES EN MOVIMIENTO	65
RIESGO DE LESIONES	65
CARACTERÍSTICAS DE PEQUEÑAS UTILIZANDO EL TANQUE DE FLOTADOR ...	67
CARACTERÍSTICAS DE PEQUEÑO QUE UTILIZAN ALIMENTACIÓN DIRECTA.....	68
CARACTERÍSTICAS	69
BASE GRANDE	69
INSTALACION Y PREPARACION.....	70
VESTIMENTA:	70
PREPARACION:	70
CONEXION DEL CORDON ELECTRICO:.....	70
DEPOSITO DEL COMBUSTIBLE QUEMADOR:.....	71
LANZA DUAL DEL PRESION REGULABLE:	72
CONEXION DE LA LANZA DUAL:	72
SUMINISTRO DE AGUA:.....	72
DESCARGADOR:	73
VALVULA DE DESCARGA TERMICA:	73
PROCEDIMIENTOS DE INSPECCION ANTES DEL ARRANQUE:	73
INSTRUCCIONES DE OPERACION	75
DESALOJANDO LA SISTEMA:.....	75
OPERACIÓN DE ARRANCAR / AQUA FRIO:	75
OPERACIÓN DEL AQUA CALIÉNTE:	76
OPERACIÓN DEL VAPOR:	77
LIMPIEZA CON DETERGENTES:	77
ALMACENAMIENTO Y MANTENIMIENTO	79
MANTENIMIENTO ESPECIFICO:	79
PREPARACION PARA EL INVIERNO:	80
LOCALIZACION DE FALLAS	82
TABLA MANTENIMIENTO	86
OPCIÓN.....	87
ACCESORIOS	88
DECLARACIÓN DE GARANTÍA	89

⚠ ADVERTENCIA

⚠ **ADVERTENCIA:** Este producto puede exponerlo a productos químicos, incluido el plomo, que el Estado de California conoce a causar cáncer y defectos congénitos u otros daños reproductivos. Para obtener más información, visite www.P65Warnings.ca.gov

⚠ ADVERTENCIA

⚠ **ADVERTENCIA:** Este producto puede exponerle a químicos incluyendo carbon monoxide, que es conocido por el Estado de California como causante de defectos de nacimiento u otros daños reproductivos. Para mayor información, visite www.P65Warnings.ca.gov.

INTRODUCCION

¡Felicitaciones por la compra de su nueva lavadora a presión! Puede estar seguro que su lavadora a presión fue construida con el nivel más alto de precisión y exactitud. Cada componente ha sido probado rigurosamente por técnicos para asegurar la calidad, la resistencia y el rendimiento de esta unidad. Con más de veinte años de experiencia en la construcción de lavadoras a presión, usted ha tomado una sabia decisión en seleccionar una lavadora a presión.

Este manual del operador fue compilado para su beneficio. Leyendo y siguiendo los pasos simples de seguridad, instalación, operación, mantenimiento y localización de fallas descritos en este manual ayudará a prolongar aun más la operación libre de fallas que usted puede esperar de su nueva lavadora a presión. El contenido de este manual está basado en la información actualizada disponible al momento de la publicación. El fabricante se reserva el derecho de efectuar cambios en precio, color, materiales, equipo, especificaciones o modelos en cualquier momento sin previo aviso.

¡IMPORTANTE!

Estos párrafos están rodeados por una “CASILLA DE ALERTA DE SEGURIDAD”. Esta casilla se usa para designar y enfatizar las Advertencias de Seguridad que deben seguirse al operar esta lavadora a presión. Acompañando a las Advertencias de Seguridad están las “palabras de alerta” que designan el grado o nivel de seriedad de riesgo. Las “palabras de alerta” usadas en este manual son las siguientes:

PELIGRO: INDICA UNA SITUACIÓN INMINENTE RIESGOSA LA CUAL, SI NO SE EVITA, RESULTARA EN LA MUERTE O EN LESIONES GRAVES.

ADVERTENCIA: INDICA UNA SITUACIÓN POTENCIALMENTE RIESGOSA LA CUAL, SI NO SE EVITA, PODRIA RESULTAR EN LA MUERTE O EN LESIONES GRAVES.

PRECAUCION: INDICA UNA SITUACIÓN POTENCIALMENTE RIESGOSA LA CUAL, SI NO SE EVITA PUEDE RESULTAR EN LESIONES MENORES O MODERADAS.

El símbolo indicado a la izquierda de este párrafo es el “Símbolo de Alerta de Seguridad”. Este símbolo se usa para alertarlo acerca de artículos o procedimientos que podrían ser peligrosos para usted u otras personas usando este equipo.



PROVEA SIEMPRE UNA COPIA DE ESTE MANUAL A CUALQUIER PERSONA QUE USE ESTE EQUIPO. LEA TODAS LAS INSTRUCCIONES ANTES DE OPERAR ESTA LAVADORA A PRESION, OBSERVANDO EN PARTICULAR LAS “ADVERTENCIAS DE SEGURIDAD” PARA EVITAR LA POSIBILIDAD DE LESIONES PERSONALES AL OPERADOR.

Escriba el número de serie de su unidad en el espacio provisto abajo, una vez que la unidad haya sido desempacada.

NUMERO DE SERIE _____

Por favor tenga disponible la información siguiente para todas las llamadas de servicio:

1. Número de modelo
2. Número de serie
3. Fecha y lugar de compra

ADVERTENCIAS DE SEGURIDAD

RIESGO DE ELECTROCUCIÓN OCHOQUE ELÉCTRICO



Pueden ocurrir lesiones serias o fatales si la lavadora a presión no se conecta debidamente a tierra. Su lavadora a presión funciona con electricidad y puede causar choques eléctricos o electrocución si no se utiliza correctamente.

Este producto debe conectarse a tierra. Asegúrese de que la lavadora a presión esté equipada con un Interruptor de circuito de falla a tierra (Ground Fault Circuit Interrupter, GFCI) incorporado en el cordón de alimentación. Si no lo tiene, debe conectarse la lavadora a presión únicamente en un receptáculo que esté protegido por un Interruptor de circuito de falla a tierra. Desconéctela cuando no esté en uso.

Si su unidad tiene (GFCI) no caiga el GFCI porque puede causar peligro. Si cago-Sea segura a examinar el GFCI antes de usar para ser seguro que funciona bien. (Mira los instrucciones de GFCI par los procedimientos a examiner.)

Siempre sea seguro que esta maguine tiene el voltage corecto-antes de enclufar la unidad a un lugar poderoso sea seguro que la varilla esta cerrado.

El choque eléctrico puede ocurrir a través del cordón de alimentación.

No modifique el enchufe provisto con el producto. Si no se ajusta al tomacorriente, haga instalar uno adecuado por un electricista calificado. No use ningún tipo de adaptador.

Revise el cordón de alimentación en busca de señales de compresión, cortes o daños por calor. Si es necesario cambiar el enchufe o el cordón, use sólo repuestos idénticos.

No use cordones de extensión con esta lavadora a presión.

Mantenga todas las conexiones secas y alejadas del piso. No permita que los cordones de alimentación queden en agua o en posiciones tales que puedan tomar contacto con el agua. No toque el enchufe con las manos mojadas.

Nunca tire el cordón de la salida para desconecta o tire la unidad por el cordón.

¡NO dirija el rocío hacia instalaciones eléctricas de ninguna clase! Esto incluye tomas eléctricas, lámparas, cajas de fusibles, transformadores, la unidad misma, etc.

Pueden sufrirse lesiones graves o fatales debido al contacto con la electricidad.

NO permita que los componentes de metal de la lavadora a presión entren en contacto con componentes eléctricos cargados.

Nunca opere la lavadora a presión sin las protecciones de seguridad o si éstas están dañadas.

Cualquier cableado o reparación eléctrica que se realice en esta lavadora a presión debe efectuarlos el personal de servicio autorizado de acuerdo con los códigos nacionales y locales de electricidad.

Pueden ocurrir lesiones serias o fatales si personas no calificadas intentan realizar reparaciones eléctricas.

Antes de abrir cualquier caja eléctrica, siempre apague la lavadora a presión, alivie la presión y desenchufe la lavadora a presión de su fuente de alimentación. Deje que la unidad se enfríe. Nunca suponga que la lavadora a presión es segura para trabajar en ella sólo porque no está en funcionamiento, podría ponerse en marcha en cualquier momento. Realice el servicio en una área limpia, seca y plana.

ADVERTENCIAS DE SEGURIDAD

RIESGO DE EXPLOSIÓN O INCENDIO

Pueden ocurrir lesiones graves o fatales ocasionadas por chispas normales en las fuentes de ignición múltiples o en el escape del motor y del quemador.

Siempre opere la lavadora en una área bien ventilada libre de vapores inflamables, polvo combustible y gases o materiales combustibles.

No almacene la lavadora a presión cerca de una llama abierta o equipo como hornos, calefactores, calentadores de agua, etc., que usen una llama piloto o dispositivo de encendido por chispa.

Pueden ocurrir lesiones graves o fatales como consecuencia de un procedimiento inadecuado al reabastecer de combustible.

¡No use esta lavadora a presión para atomizar material inflamable!

No fume mientras llene los tanques de combustible.

Nunca llene los tanques de combustible mientras el motor aún esté en marcha o esté caliente. Permita que el motor se enfríe dos minutos antes de volver a cargar combustible.

No llene los tanques de combustible en interiores o en una área con poca ventilación.

Siempre vierta el combustible lentamente para evitar la posibilidad de un derrame, lo cual podría provocar un incendio.

Tanque de combustible del quemador:

Al llenar el tanque de combustible del quemador, use aceite de combustible diesel o queroseno No.1 ó No.2. No use gasolina.

No opere la unidad si se derrama gasolina o combustible de diesel. Con un paño, limpie completamente la lavadora a presión y aléjela del derrame. Evite crear cualquier ignición hasta que el combustible de gasolina o diesel se haya evaporado.

Pueden ocurrir lesiones graves o fatales si no se mantienen correctamente los dispositivos de seguridad del sistema.

Esta lavadora a presión tiene en dispositivo de seguridad aparato que nunca deben ser alterados, modificados, extraídos o desconectados. Si falla el dispositivo, reemplácelo inmediatamente con un repuesto genuino del fabricante.

Pueden sufrirse lesiones graves o fatales como consecuencia de la inhalación de gases del escape del quemador o vapores peligrosos.

Nunca opere esta lavadora a presión en una área cerrada. Siempre asegúrese de que exista ventilación adecuada (aire externo fresco) para la respiración y la combustión. Esto impedirá la acumulación de gases peligrosos de monóxido de carbono. Tenga cuidado en las áreas de poca ventilación, o áreas con ventiladores de extracción que pueden provocar un intercambio deficiente de aire.

Obedezca todas las instrucciones proporcionadas con los materiales que está rociando. Quizá sea necesario usar un respirador cuando se trabaje con ciertos materiales. No use esta lavadora a presión para distribuir detergentes peligrosos.

RIESGO DE ASFIXIA

Pueden producirse lesiones graves debido al mal funcionamiento de la lavadora a presión o la explosión de accesorios si se usan componentes, aditamentos o accesorios que no correspondan al sistema.

Nunca haga ajustes a las presiones configuradas en la fábrica.

Nunca exceda la máxima graduación de presión de los accesorios permitida por el fabricante.

Manual del Operador



ADVERTENCIAS DE SEGURIDAD

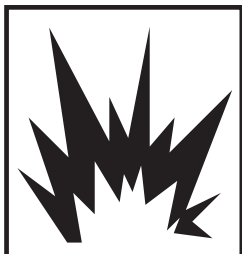
No permita que alguna de las mangueras haga contacto con el silenciador del motor, el motor de gasolina o el intercambiador de calor para prevenir la posibilidad de explosión. No arrastre las mangueras sobre superficies abrasivas como el cemento.

Solo use las partes de reparación para su lavadora a presión recomendadas por el fabricante.

RIESGO DE EXPLOSIÓN

Pueden producirse lesiones graves o fatales si se intenta arrancar la lavadora a presión cuando esté congelada la bomba.

En temperaturas de congelación, la unidad siempre deberá permanecer lo suficientemente caliente como para asegurar que no haya formación de hielo en la bomba. No arranque la lavadora a presión si ha sido transportada en un vehículo abierto o de calefacción deficiente, sin primero permitir que la bomba se descongele.



RIESGO DE INYECCIÓN O LESIÓN POR CORTADURA SEVERA

Pueden sufrirse lesiones graves o fatales como consecuencia de la atomización a alta presión con penetración en la piel.

¡Manténgase completamente alejado de la boquilla y el atomizador! Nunca coloque la mano, los dedos o el cuerpo directamente sobre la boquilla de rocío.

Nunca apunte el atomizador alta presión hacia usted mismo o hacia otra persona.

Sólo los operadores que estén capacitados deben usar este producto.

Siempre mantenga el área de trabajo despejada de personas.

NO PERMITA que algún niño opere esta unidad.

¡BUSQUE ATENCIÓN MÉDICA DE EMERGENCIA si parece que el rocío ha penetrado la piel! ¡No lo trate como una simple cortadura!

Debe inspeccionar diariamente las mangueras de alta presión y las líneas de combustible para buscar señales de desgaste. Si hay evidencia de falla, reemplace inmediatamente todas las mangueras y líneas de combustible sospechosas para prevenir la posibilidad de lesiones por el rocío a alta presión. Si una manguera o conexión tiene alguna fuga, NO COLOQUE SU MANO DIRECTAMENTE SOBRE LA FUGA.

Nunca opere la pistola con el gatillo fijado en la posición abierta. Para prevenir una descarga accidental, la pistola debe tener bien trabado el seguro del gatillo cuando no se encuentre en uso.

Antes de retirar la boquilla de rocío o dar servicio a la unidad, apague la unidad y tire del gatillo de la pistola para liberar la presión. (Aun cuando apague la unidad, todavía quedará agua a alta presión en la bomba, la manguera y la pistola hasta que la libere jalando el gatillo de la pistola.)

RIESGO DE QUEMADURAS

Pueden producirse lesiones graves si se toca el motor de gasolina, el silenciador o el intercambiador de calor. Estas áreas pueden permanecer calientes por algún tiempo después de que se ha apagado la lavadora a presión.

Nunca permita que ninguna parte de su cuerpo haga contacto con el motor de gasolina, el silenciador o el intercambiador de calor.

Nunca calga la maquina sin guardia hasta esta completamente enfriado como se descrito en los procedimientos de "apagado" in página 20 de esta manual.



ADVERTENCIAS DE SEGURIDAD

RIESGO POR PARTES EN MOVIMIENTO

El operador puede sufrir de lesiones graves si hace contacto con las partes en movimiento de la lavadora a presión.

Nunca efectúe ajustes a la unidad mientras esté conectada a la fuente de alimentación.

No opere la unidad sin que todas las cubiertas protectoras se encuentren en su lugar.

Observe las instrucciones de mantenimiento especificadas en este manual.



RIESGO DE LESIONES

Pueden ocurrir lesiones graves o fatales si los detergentes entran en contacto con la piel.

¡BUSQUE ATENCIÓN MÉDICA DE EMERGENCIA si está usando agentes de limpieza y siente que el rocío ha penetrado la piel! ¡NO LO TRATE COMO UNA SIMPLE CORTADURA! Lea la hoja de datos de seguridad del material (MSDS) proporcionada con su detergente para estar preparado y poder informar a su médico exactamente qué tipo de detergentes estaba usando.

Nunca use solventes o detergentes altamente corrosivos o limpiadores de tipo ácido con esta lavadora a presión.

Se aconseja usar equipo protector como trajes de goma, guantes y respiradores, especialmente cuando se usen detergentes limpiadores.

¡Mantenga todos los detergentes fuera del alcance de los niños!

Pueden ocurrir lesiones graves provocadas por partículas sueltas proyectadas a gran velocidad a través la pistola atomizadora.

SIEMPRE use gafas protectoras cuando opere la unidad para proteger sus ojos contra residuos y detergentes lanzados al aire.

NO DIRIJA el atomizador hacia materiales frágiles tales como vidrio, ya que podría ocasionar su ruptura.

Pueden ocurrir lesiones si el operador pierde el equilibrio causado por el impulso del agua que está atravesando la boquilla de rocío.

Si la lavadora a presión está equipada con una característica de Inicio/parada automática, la unidad se apagará hasta que se accione la pistola. Para prevenir la descarga accidental de alta presión, no deje la unidad sin supervisión mientras esté en esta modalidad.

Manténgase alerta — vigile lo que esté haciendo. No opere la unidad cuando esté fatigado o bajo la influencia de alcohol o drogas.

NUNCA apriete el gatillo a menos de que esté firmemente parado.

NO se estire demasiado ni se pare sobre un soporte inestable.

Las superficies mojadas pueden estar resbaladizas, use equipo protector y mantenga un punto de apoyo y buen equilibrio en todo momento.

NUNCA accione la pistola mientras se encuentre en una escalera o sobre un techo.

Pueden ocurrir lesiones provocadas por la lavadora a presión.

SIEMPRE sostenga firmemente el conjunto de pistola/varilla cuando arranque y opere la unidad. No hacerlo podría provocar que la varilla se caiga y se azote peligrosamente.

Sepa como detener la lavadora a presión y aliviar las presiones rápidamente. Familiarícese por completo con estos controles.

NO permita que la unidad presurizada permanezca sola. Apague la lavadora de presión y libere la presión antes de irse.



ADVERTENCIAS DE SEGURIDAD

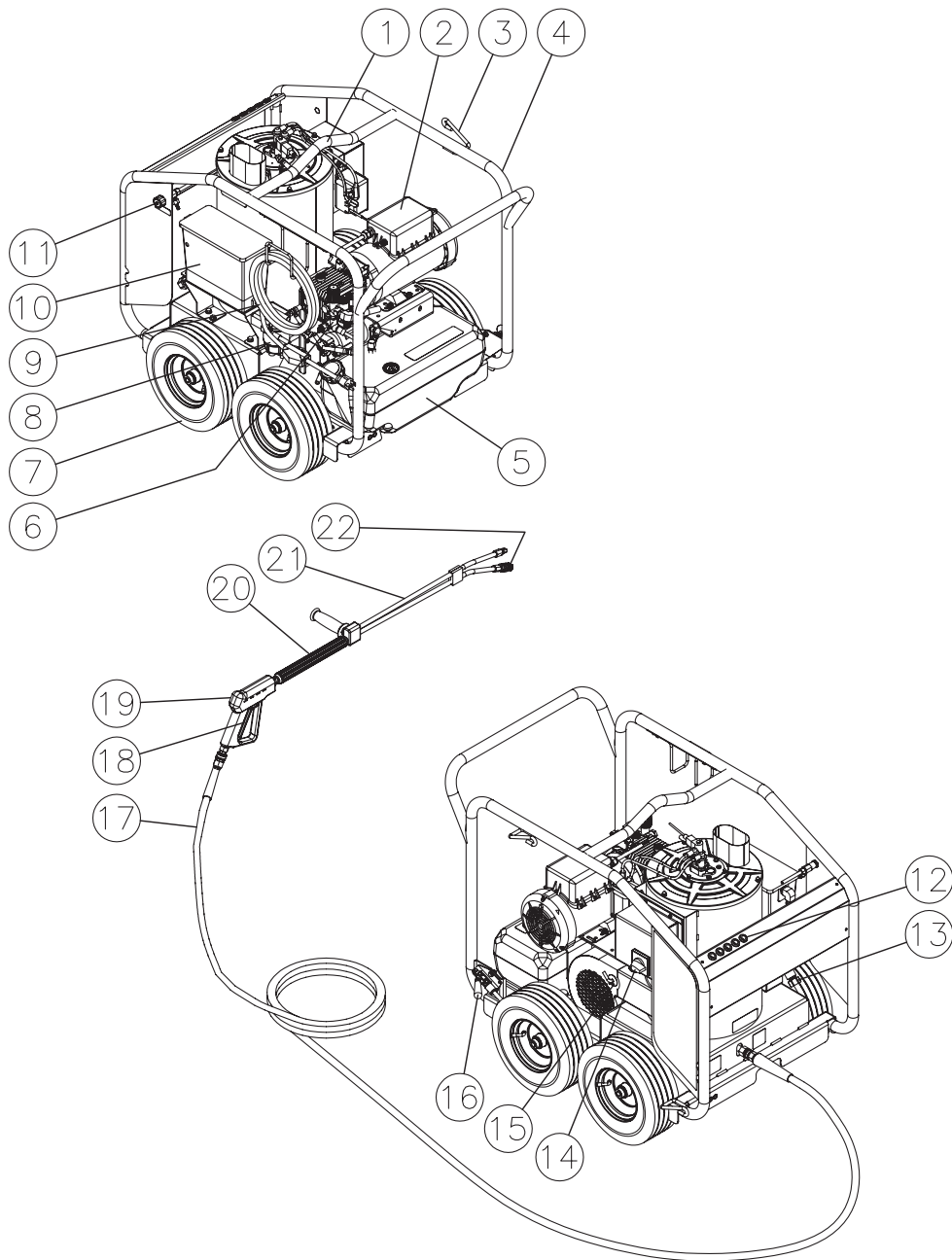
NO OPERE la unidad si detecta fugas de combustible, aceite o agua de la máquina. NO reanude la operación hasta que la unidad haya sido inspeccionada y reparada por un técnico capacitado para el servicio.

Coloque la unidad sobre una superficie limpia, seca y plana para darle servicio. Antes de dar mantenimiento a la unidad, apáguela, alivie la presión de agua apretando el gatillo de la pistola, y permita que la unidad se enfríe. Realice el mantenimiento en un área limpia, seca y plana. Donde sea necesario, bloquee las ruedas para prevenir el movimiento de la unidad.

No mueva la unidad tirando de la manguera.

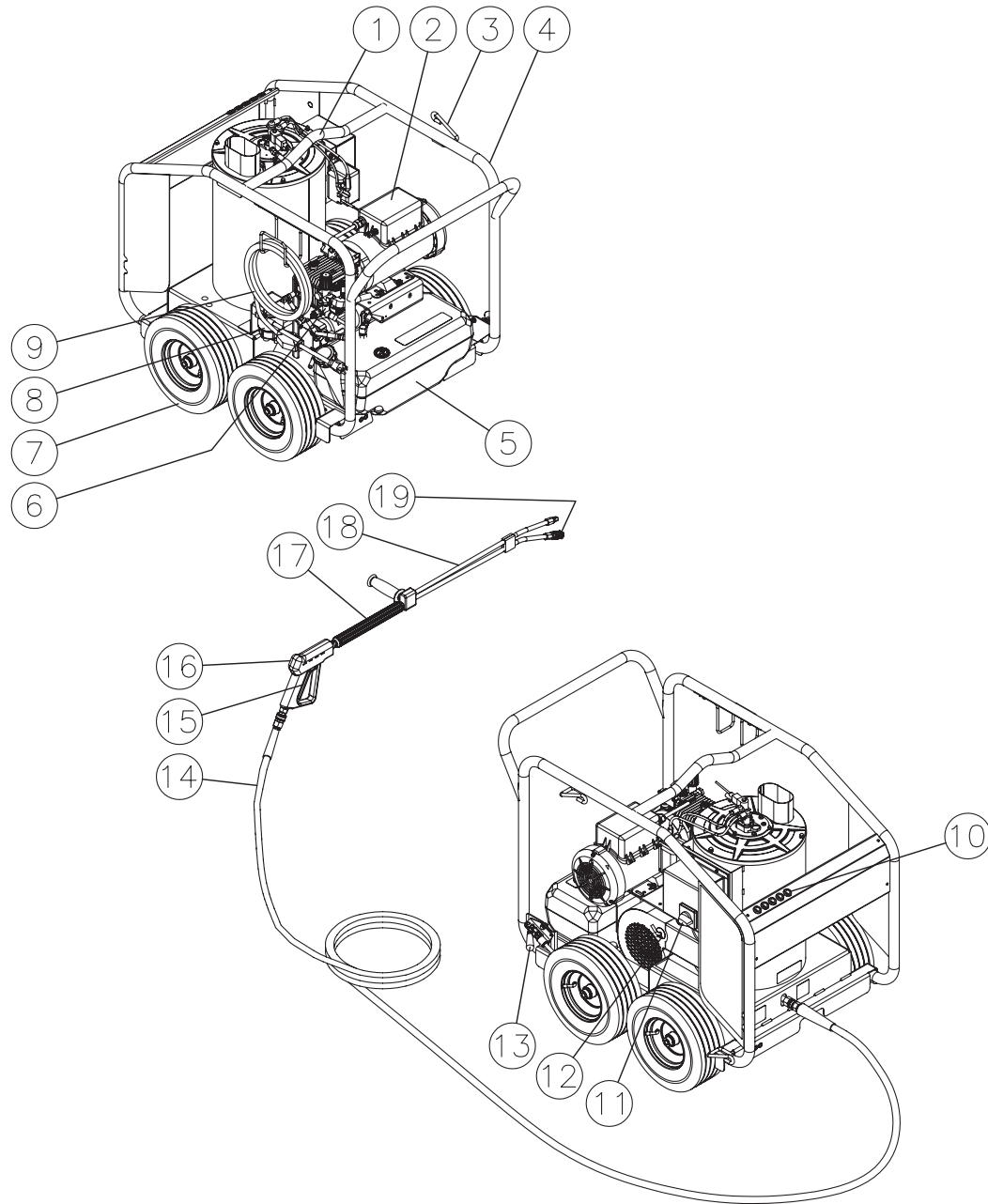
 **¡CONSERVE ESTAS INSTRUCCIONES!** 

CARACTERÍSTICAS DE PEQUEÑAS UTILIZANDO EL TANQUE DE FLOTADOR



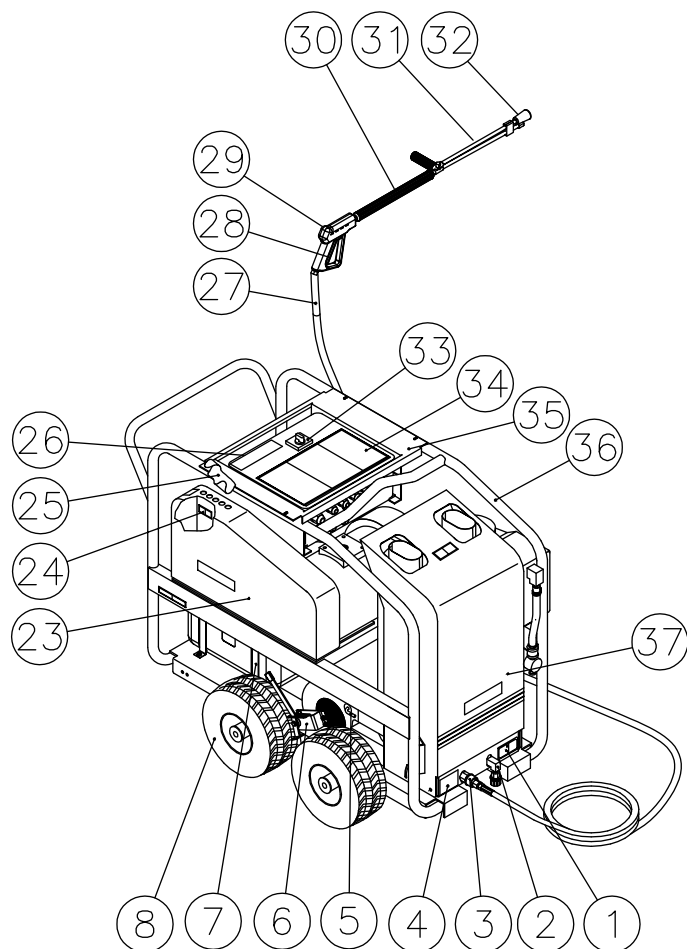
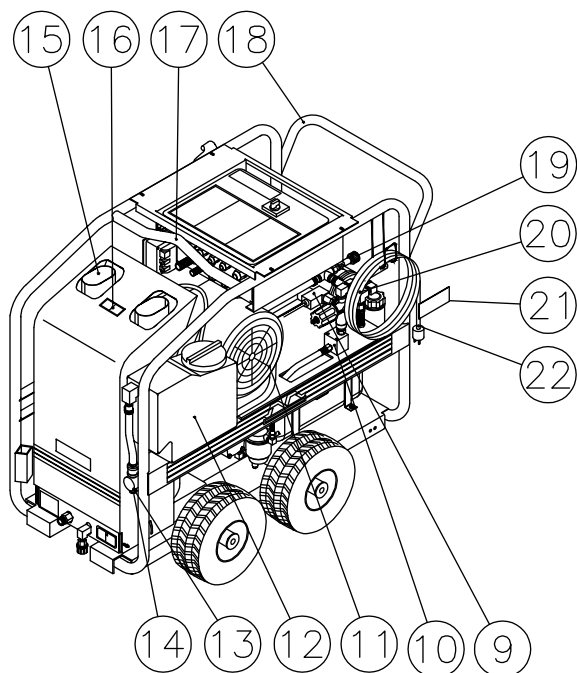
- | | |
|---|------------------------------------|
| 1. Centro gancho de elevación equilibrado | 12. Soporte para boquilla |
| 2. Motor de bomba (TECF) | 13. Entrada de agua |
| 3. Titular de lanza | 14. Interruptor (on/off/quemador) |
| 4. Rollo resguardo | 15. Quemador aire el reglamento |
| 5. Deposito del combustible quemada | 16. Freno |
| 6. Bomba del presion alta con descargada | 17. Presion alto manguera |
| 7. Ruedas neumaticos | 18. Gatillo cerraduro de seguridad |
| 8. Separador de agua y combustible | 19. Conjunto del la pistola |
| 9. Cordón electrico de 35' (con GFCI) | 20. Lanza aislante |
| 10. Deposito de agua flotante | 21. Lanza de dual presión reguable |
| 11. Valvula detergente regulando | 22. Boquillas |

CARACTERÍSTICAS DE PEQUEÑO QUE UTILIZAN ALIMENTACIÓN DIRECTA



- | | |
|---|------------------------------------|
| 1. Centro gancho de elevación equilibrado | 11. Interruptor (on/off/quemador) |
| 2. Motor de bomba (TECF) | 12. Quemador aire el reglamento |
| 3. Titular de lanza | 13. Freno |
| 4. Rollo resguardoV | 14. Presion alto manguera |
| 5. Deposito del combustible quemada | 15. Gatillo cerraduro de seguridad |
| 6. Bomba del presion alta con descargada | 16. Conjunto del la pistola |
| 7. Ruedas neumaticos | 17. Lanza aislante |
| 8. Separador de agua y combustible | 18. Lanza de dual presión reguable |
| 9. Cordón electrico de 35' (con GFCI) | 19. Boquillas |
| 10. Soporte para boquilla | |

CARACTERÍSTICAS BASE GRANDE



- | | |
|---|--|
| 1. Advertencia Etiqueta: Riesgo de Explosion | 20. Precaucion Etiqueta: Riesgo del Fuego |
| 2. Tapon de Rollo Desaquadero | 21. Advertencia Etiqueta: Riesgo de Electroccion |
| 3. Salida de Agua | 22. Cordón Electrico (con GFCI) |
| 4. Etiqueta: Plato de Datos | 23. Guarda Correa |
| 5. Quemador Aire el Reglamento | 24. Calcomanía-Advertencia: Guarda Correa en Lugar |
| 6. Freno | 25. Titular Lanza |
| 7. Deposito del Combustible Quemada | 26. Advertencia Etiqueta: Riesgo de Electroccion |
| 8. Ruedas | 27. Presion Alto Manguera |
| 9. Varilla de Presion | 28. Gatillo Cerraduro de Seguridad |
| 10. Bomba del Presion Alta Con Descargada | 29. Conjunto del la Pistola |
| 11. Motor de Bomba (TEFC) | 30. Lanza Aislante |
| 12. Tamiz de Agua | 31. Lanza de Dual Presión Reguable |
| 13. Deposito de Agua Flotante (Modelos Del Depositos Flotantes) | 32. Boquillas |
| 14. Entrada de Agua | 33. Varillas (Apartado, Bomba, Quemadura) |
| 15. Quemadura Exhosto | 34. Calcomania-Declaraciones de Advertencia/Precaucion/Operacion |
| 16. Advertencia Etiqueta: Caliente | 35. Panel del Control |
| 17. Gancho Levantar | 36. Rollo Resguardo |
| 18. Mango Convenient de Empujon / Tirón | 37. Cubierta Resguardo |
| 19. Valvula Detergente Regulando | |

INSTALACION Y PREPARACION

VESTIMENTA:

1. Una vestimenta apropiada es esencial para su seguridad. Se recomienda que utilice cualquier medio necesario para proteger los ojos, los oídos y la piel. Al usar agentes limpiadores detergentes con esta lavadora, puede requerirse una vestimenta adicional de seguridad (tal como una máscara respiratoria).



⚠ PELIGRO ¡RIESGO DE EXPLOSION O INCENDIO! NO COLOQUE LA UNIDAD EN UN AREA DONDE PUEDAN ESTAR PRESENTES VAPORES INFLAMMABLES. UNA CHISPA PODRIA CAUSAR UNA EXPLOSION O UN INCENDIO!

⚠ RIESGO QUE LA UNIDAD REVIENTE! NO ALMACENE NI OPERE LA UNIDAD EN UN AMBIENTE HELADO.

PREPARACION:

1. Al operar esta unidad, debería colocarse solamente sobre una superficie nivelada para asegurar una lubricación apropiada del motor y de la bomba de agua. Nunca rocíe el agua directamente dentro la unidad.

⚠ ADVERTENCIA ¡RIESGO DE ASFIXIA! NO OPERE EN UN AREA CERRADA. USE ESTE PRODUCTO EN AREAS BIEN VENTILADAS SOLAMENTE! EL ESCAPE DEL MOTOR CONTIENE MONOXIDO DE CARBONO, UN GAS VENENOSO, INODORO E INVISIBLE. EL RESPIRAR ESTE GAS PUEDE CAUSAR LESIONES GRAVES, ENFERMEDAD Y POSIBLEMENTE LA MUERTE.

2. NO coloque la unidad en un área:
 - a. con ventilación insuficiente.
 - b. donde haya evidencia de pérdidas de aceite o combustible.
 - c. donde puedan estar presentes vapores de gas inflamable.
3. Asegúrese de inmovilizar las ruedas para evitar que la unidad se mueva durante el funcionamiento.
4. Nunca rocíe el agua directamente dentro la unidad. Si cualquier parte de la unidad se congela, esto puede causar una acumulación excesiva de presión en la misma lo que podría causar que reviente, resultando en posibles lesiones al operador o a los observadores.
5. Revise el indicador del nivel de aceite en el cárter de la bomba. Asegúrese que el aceite esté al nivel correcto indicado por el punto en el vidrio de nivel. Use aceite para bombas (No. AW-4085-0016) si parece que el nivel está bajo.

CONEXION DEL CORDON ELECTRICO:

⚠ PELIGRO RIESGO DE ELECTROCUCION! ESTA MAQUINA TIENE QUE CONECTAR A UNA TOMA DE CORRIENTE QUE ESTA BIEN VERSADO DE LA TIERRA.

1. Sea seguro que la varilla esta en la posición cerrado.
2. Sea seguro que los suministros electricos son lo mismo que tiene el plato dato de la lavadora a presión.
3. INSTRUCCIONES FUNDAMENTOS: Este equipo debe conectarse a tierra. La conexión a tierra provee un camino de resistencia reducida a la corriente eléctrica para reducir el riesgo de coque eléctrico, en caso de malfuncionamiento o falla. Este productor está equipado con un cordón que tiene un conductor de conexión a tierra del equipo y un enchufe de conexión a tierra. El enchufe debe enchufarse a un tomacorriente apropiado que esté correctamente instalado y conectado a tierra de acuerdo con todos los códigos y ordenanzas locales.
4. PELIGRO: Conexiones malos del conductor fundado puede dar un riesgo de electrocución. Pregunte usted con una persona del servicios electricos si no cree que la toma de corriente, esta bien fundado. No cambie el tapón que recibió con este producto. Si no puede ponerlo en la toma de

INSTALACION Y PREPARACION

corriente. Necesita una otra toma de corriente con la forma corrector. No use nunca un adaptor con este producto.

5. PROTECCION DEL INTERRUPTER FUNDADO CIRCUITO:
 - a. UNA FASE: Si esta lavadora a presión cuenta con un Interruptor de circuito de falla a tierra (Ground Fault Circuit Interrupter, GFCI) incorporado en el enchufe o en el cordón de alimentación, pruebe el GFCI siempre que se enchufe en un tomacorriente según las instrucciones del GFCI. NO use la lavadora a presión si falla la prueba. El GFCI brinda protección adicional contra el riesgo de choque eléctrico. En caso de que se haga necesario cambiar el enchufe o cordón, utilice sólo repuestos idénticos que incluyan la protección de GFCI.
 - b. UNA FASE: Si esta lavadora a presión no cuenta con un GFCI, debe conectarse la unidad únicamente en un receptáculo que esté protegido por un Interruptor de circuito de falla a tierra (Ground Fault Circuit Interrupter GFCI) para cumplir con el Código Eléctrico Nacional (NFPA 70) y brindar protección adicional contra el riesgo de choque eléctrico.
 - c. TRES FASE: Estas lavadoras a presión no cuentan con protección de GFCI.

⚠ PELIGRO RIESGO DE ELECTROCUCION! PARA REDUCIR EL RIESGO DE ELECTROCUCION, QUEDE TODAS LOS CONEXIONES SECADRES Y ARRISA DE LA TIERRA. NO TOQUE EL TAPON CON MANOS MOJADAS.

6. CORDONES DE EXTENSION: el fabricante no se recomienda el uso de los cordones extensions. Si tiene que usar uno, tiene que poner dentro un GFCI en las cajas circuitas o receptaculos con protección. Cuando está usando el cordón eléctrico pregunte una persona electrico a ser seguro que el cable medida que tiene es corrector para la longitud del cordón eléctrico.

PARA LAS UNIDADES SINGULARES FASES, use dolemente 3-cable cordones electricos que tiene 3-tipo tapones fundados y 3-pole conectadores que va a aceptar el tapón del producto.

PARA LAS UNIDADES FASES TERCEROS, use solamente 4-cable cordones electricos que tiene 4-punta conectadores que va a aceptar el tapon de este producto.

Use solamente cordones para fuera del al case. Estos cordones tiene un sello como "Para usar con los aparatos electricos fuera de case. Cuando no esta usando quede en la dentro." Use solemnete cordones que tieninun modo no memos del modo de esta unidad. No use cordones con dremetas. Examine los cordones antes de usar y reponga si esta detrimentos. No abuse los cordones electricos y no dé un tiron a desconectar. Queda el cordón lejos de calor y puntas afiladas. Siempre conecta y desconecta el cordón del receptáculo antes de conectar o desconectar el producto del cordón.

7. Sea seguro que la area entre la varilla de la lavadora a presion y la toma de corriente estar secados.
8. Ponga la varilla masculina dentro la toma de corriente de la tierra (AC). Nunca use un adaptor o quite la varilla de la tierra.

⚠ PELIGRO ¡RIESGO DE INCENDIO! ¡NO FUME AL CARGAR COMBUSTIBLE! MIENTRAS LA UNIDAD ESTA FUNCIONANDO O ESTA CALIENTE NO LLENE EL TANQUE DE COMBUSTIBLE. PERMITA QUE LA UNIDAD Y EL MOTOR SE ENFRIEN DURANTE DOS MINUTOS ANTES DE CARGAR COMBUSTIBLE. NO LLENE EL TANQUE DE COMBUSTIBLE HASTA QUE SE DERRAME. PERMITA 1/4" DE ESPACIO DE TANQUE APROXIMADAMENTE PARA LA EXPANSION DEL COMBUSTIBLE.

DEPOSITO DEL COMBUSTIBLE QUEMADOR:

⚠ ADVERTENCIA RIESGO DE EXPLOSION O INCENDIO! MIENTRAS
Manual del Operador

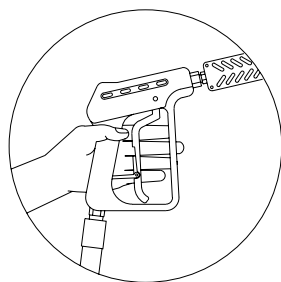
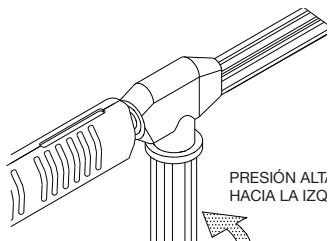
INSTALACION Y PREPARACION

LA UNIDAD ESTA FUNCIONANDO O ESTA CALIENTE, ALMACENE SIEMPRE EL COMBUSTIBLE ALEJADO DE LA LAVADORA.

1. Antes de aprovisionar combustible, lea pagina 69 de las precauciones del Riesgo de explosión o fuego.
2. Encuentre las etiquetas de seguridad en su unidad y crea las advertencias.
3. llene el deposito de combustible quemada con combustible bueno y limpio, diesel, o keroseno. Nunca use gasolina.

LANZA DUAL DEL PRESION REGULABLE:

⚠️ ADVERTENCIA ¡RIESGO DE LESIONES GRAVES! ¡CUANDO NO SE USA, LA PISTOLA A GATILLO DEBERIA ESTAR SIEMPRE ASEGUADO EN LA POSICION DESCONECTADO!



Esta unidad tiene una lanza dual del presión regulable que permite la persona usando a regulable que permite la persona usando a excojer agua pulverizada del presión alto o bajo. Simplemente gire el asiento regulable en la lanza dual a obtener la presión que quisiera.

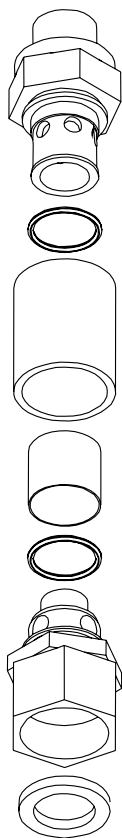
1. Puede escojer presión alto por girando el asiento regulable en la lanza dual asemblea ensentido contraria a los agujas del reloj como esta en el dibuj debajo.
2. Puede escojer presión bajo por girando el asiento regulable en la lanza dual de las agujas del reloj como esta en el dibujo debajo.

CONEXION DE LA LANZA DUAL:

1. Sea seguro que le varitla esta en la posición cerrado.
2. Conecte la asemblea de lanza dual a la asemblea de la varilla ahora si puede. Sea sguro que tiene un conexin asegurado y apretado.

SUMINISTRO DE AGUA:

1. Seleccione una manguera de suministro de agua que sea de calidad de manguera de jardín que mida 3/4" de DI por lo menos y que no sea más larga que 50 pies.
2. Inspeccione el tamiz de entrada de agua para asegurar que esté limpio y libre de obstrucciones. La limpieza periódica del tamiz de agua ayudará a prevenir problemas con la bomba. El tamiz restringe el flujo apropiado de agua a la bomba, a medida que se obstruye. Esto puede resultar en cavitaciones que causarán la falla prematura de los empaques de las bombas.
 - a. Desenrosque la conexión de entrada de la manguera de jardín desde la parte frontal del conjunto del filtro.
 - b. Retire la cubierta de plástico transparente y limpie la rejilla del filtro.
3. Conecte la mangueras:
 - a. Conecte un extremo de la manguera de suministro de agua a la entrada de agua de la unidad.
 - b. Conecte el otro extremo de la manguera a su suministro presurizado de agua. Cuando conectando la entrada de agua a las canerías de suministro de agua, regulaciones locales de su compañía del agua tenga que observar. En algunas areas la unidad no tenga que conectar directamente al suministro publico. Este es para asegúrese que no había nada retroalimentación de los detergentes entre el suministro del agua. (Es permite que conexión directamente si instale de preventor de corriente atraso.
 - c. Efectúe la conexión de la manguera de descarga de alta presión a la salida de agua de la unidad.
4. Siga los requerimientos de agua entrante listados abajo:
 - a. La presión de agua debe estar a un mínimo de 40 libras por pulgada



INSTALACION Y PREPARACION

cuadrada (PSI) y un máximo de 125 PSI. (Un grifo típico al aire libre suministrará generalmente estas PSI si está completamente ABIERTO).

- b. Los GPM (galones por minuto) entrantes deben ser ser 1 galón más aproximadamente que los GPM salientes deben indicados en la placa de nombre de la lavadora a presión. (Usted puede inspeccionarlos GPM observando el tiempo requerido para llenar un recipiente de 5 galones.)
 - c. La temperatura del agua de entrada no debe exceder 125°F. Puede resultar un daño excesivo a la bomba si la temperatura del agua excede este nivel aceptable.
5. Nunca permita que la unidad opere sin que esté conectada la tubería de agua de entrada y el suministro de agua completamente abierto.

DESCARGADOR:

Modelo Estándar:

La descargador fue preprogramar a lá fabrica.

Modelo Opcion Vapor:

El descargador tiene una perilla reguladora que tiene un ajuste mínimo/máximo. Mueva el descargador en sentido horario hacia el ajuste máximo para la operación con agua fría/caliente. Muévelo en sentido antihorario hacia el ajuste mínimo para la operación con vapor.

VALVULA DE DESCARGA TERMICA:

Nunca permita que la lavadora a presión opere en el modo de derivación durante más de tres minutos (con la unidad funcionando y la pistola a gatillo cerrado), para asegurar que la temperatura del agua no exceda niveles aceptables. Se ha agregado una "válvula de descarga térmica" a esta unidad para proteger la bomba. Puede comenzar a abrirse y permitir la salida de agua si la temperatura del agua en la bomba ha excedido los 140°F.

La válvula de descarga térmica aliviará esta condición permitiendo la salida del exceso de agua caliente del sistema. Esto permitirá que agua fresca y fría entre al sistema, evitando por consiguiente la falla prematura del sello del empaque de la bomba.

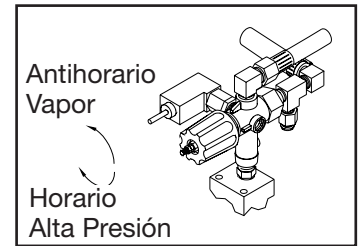
PROCEDIMIENTOS DE INSPECCION ANTES DEL ARRANQUE:

Efectúe los procedimientos siguientes antes de arrancar la unidad:

1. Inspeccione los cordones electricos para cortes. Si encuentre unos cortes, NO TOQUÉ NI USE CORDÓN! Antes de arrancar reponza el cordon.
2. Inspeccione el nivel de aceite en la bomba.
3. Inspeccione el tamiz de entrada de agua. Limpie o reemplace si fuera necesario. Vea "Suministro de agua", #2.
4. Inspeccione todas las conexiones de las mangueras para asegurar que estén bien ajustadas.
5. Inspeccione por pérdidas de agua, lubricar y combustible del sistema. ¡NO ARRANQUE LA UNIDAD, si encuentra una pérdida de combustible! Vea las "Riesgo de Explosión". Asegúrese que se reemplacen todas las piezas dañadas y que se corrijan todos los problemas mecánicos antes de operar la unidad. Consulte con el Servicio al Cliente, si usted requiere servicio.
6. Inspeccione las mangueras de alta presión por dobleces, cortes y pérdidas. ¡NO USE LA MANGUERA, si halla un corte o una pérdida! Antes de arrancar la unidad reemplace la manguera. Vea las "Riesgo Inyección" . Asegúrese que se reemplacen todas las piezas dañadas y que se corrijan los problemas mecánicos antes de operar la unidad. Consulte con el Servicio al Cliente, si usted requiere servicio.

Manual del Operador

VALVULA DE DECARGADOR





**LAS PAGINAS SIGUIENTES CONTIENEN INSTRUCCIONES DE OPERACION Y
MANTENIMIENTO**

**NO TRATE DE OPERAR ESTA LAVADORA A PRESION HASTA QUE HAYA LEIDO Y
ENTENDIDO TODAS LAS PRECAUCIONES Y INSTRUCCIONES DE SEGURIDAD LISTADAS
EN ESTE MANUAL.**

**¡¡LA OPERACION INCORRECTA DE ESTA UNIDAD PUEDE CAUSAR LESIONES GRAVES!!
¡¡DE NINGUNA MANERA ALTERE O MODIFIQUE ESTE EQUIPO!!**

INSTRUCCIONES DE OPERACION

DESALOJANDO LA SISTEMA:

Esta unidad tiene un rollo de acero que puede causar el agua quedando en el rollo del usado pusado a cambiar pardo o negro en color. Este agua tiene que desalojar de la sistema antes de arrancar. Este procedimiento debe hacer sin la manguera de presion alta debe hacer sin la manguera de presion alta, la pistola y la asemblea lanza dual instalada.

⚠ PELIGRO ¡RIESGO DEL PELIGRO A LA UNIDAD! ¡SEA SEGURO QUE LA MANQUERA, PISTOLA Y ASEMBLEA DE LANZA DUAL NO ESTAN CONECTADO A LA UNIDAD CUANDO DESALOJANDO LA SISTMA. DESALOJANDO PERMITE DEPOSITOS MINERALES A SALIR LA SISTEMA QUE PUEDE CAUSAR PELIGRO A LA ASEMBLIA PISTOLA Y TOBERA QUE PUEDE CAUSAR MUCHOS REPAROS CAROS.

MODELOS DEL ALIMENTACION DIRECTO:

1. Arranque la contidad del agua.
2. Agua de presion bajo en a desalojar de la salida agua. Permite la unidad a desalojar alguanas particulas de la sistmea. Cuando el agua es claro. La unidad esta desalojado.
3. Cuando la unidad esta desalojado cierre la cantidad del agua y conecte la manguera del presion alto a la salida agua de la unidad.
4. Conecte el gatillo y la asemblea a la manguera del presion alto.
5. Arranque la cantidad del agua.

MODELOS DEL DEPOSITOAS FLOTADAS:

1. Arranque la cantidad del agua.
2. Ponga la varilla a la posicion para bombear. Agua de presion bajo en a desalojar de la salida agua. Permite la unidad a desalojar alguanas particulas de la sistmea. Cuando el agua es claro. La unidad esta desalojado.
3. Cuando la sistmea esta desalojando, ponga la varilla a la posicion abierta y conecte la manguera del presion alto a la salida agua de la unidad.
4. Conecte el gatillo y la asemblea de lanza dual a la manguera de presion alto.

OPERACIÓN DE ARRANCAR / AQUA FRIO:

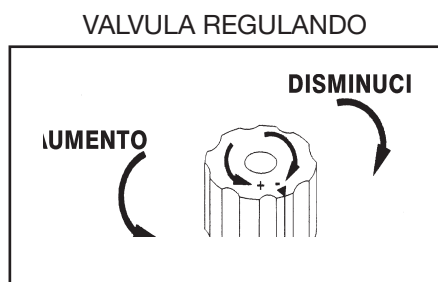
1. Refiérase a las "Advertencias de seguridad", págs. 70-75 antes de arrancar la unidad.
2. Ubique las calcomanías de seguridad en su unidad y obedezca sus advertencias.
3. Sea seguro que la varilla esta en la posicion cerrada.
4. Apuntado el gatillo en un direccion seguro abre el gatillo y aprete. Sostenga firmamente para evitar gorpes de retroceso peligrosos cuando la bomba empieza.

⚠ PELIGRO ¡RIESGO DE INYECCION CAUSANTE DE LESIONES GRAVES! ¡LA CARACTERÍSTICA DE INICIO/PARADA AUTOMÁTICA APAGARÁ LA LAVADORA A PRESIÓN HASTA QUE SE ACCIONE LA PISTOLA. EL APAGADO TOTAL REQUIERE QUE EL INTERRUPTOR "OFF/PUMP/BURNER/STEAM" (APAGADO/BOMBA/QUEMADOR/VAPOR) SE MUEVA A LA POSICIÓN APAGADA. PARA PREVENIR LA DESCARGA ACCIDENTAL DE ALTA PRESIÓN, NO DEJE LA UNIDAD SIN SUPERVISIÓN HASTA QUE EL INTERRUPTOR "OFF/PUMP/BURNER/STEAM" (APAGADO/BOMBA/QUEMADOR/VAPOR) ESTÉ EN LA POSICIÓN APAGADA.!

5. Ponga la varilla de la bomba a la posicion abierta.

INSTRUCCIONES DE OPERACION

6. Efectúe los procedimientos siguientes una vez que haya arrancado el unidad con la pistola en la posición abierta:



- a. Inspeccione por pérdidas de aceite y combustible del sistema. ¡APAGUE INMEDIATAMENTE LA UNIDAD, si encuentra una pérdida! Vea las “Riesgo de explosión o fuego”, pág. 73. Antes de operar la unidad, asegúrese que se hayan reemplazado todas las piezas dañadas y que se hayan corregido todos los problemas mecánicos. Consulte con el Servicio al Cliente, si usted requiere servicio.

- b. Inspeccione las mangueras de alta presión por dobleces, cortes y pérdidas. ¡¡¡NO TOQUE LA MANGUERA EN LA PERDIDA, si encuentra un corte o una pérdida!!! ¡APAGUE INMEDIATAMENTE LA UNIDAD! Antes de arrancar nuevamente la unidad, reemplace la manguera. Vea las “Riesgo de inyección o lesión severa por cortadura” pág. 74. Antes de operar la unidad, asegúrese que se hayan reemplazado todas las piezas dañadas y que se hayan corregido todos los problemas mecánicos. Consulte con el Servicio al Cliente, si usted requiere servicio.

7. Ahora la unidad esta funcionando como una lavadora del agua frio. Aprete el gatillo de la pistola muchas veces y probe a regular la presion del agua por gire el asiento en la lanza dual. NUNCA coloque las manos o los dedos delante de la boquilla ni mire directamente hacia la boquilla. El agua a alta presión puede provocar lesiones graves!
8. No permita que la unidad funcione en un modo de derivación (con el gatillo cerrado) por más de tres minutos sin accionar el gatillo de la pistola. El no seguir esta simple regla puede causar la falla prematura de los sellos del empaque de la bomba, resultando en una reparación costosa a la misma.

NOTA: Si esta unidad está equipada con una característica de Inicio/parada automática, la lavadora a presión se apagará si la pistola no se acciona después de un tiempo designado. La lavadora a presión se pondrá nuevamente en marcha una vez que se accione la pistola. La característica de Inicio/parada automática está previamente establecida en la fábrica para apagarse en 90 segundos. Puede regular la un técnico de servicio autorizado para apagarse por inactividad después de un mínimo de 3 segundos hasta un máximo de 5 minutos.

9. Su lavadora a presión puede entregar de rocia presion alto y una variedad de rocios usando agua frio. Si quisiera usar la apliccion agua caliente o limpiando con detergentes. Mire página 81 para los procedimientos correctos.

⚠ PRECAUCION RIESGO DE DAÑO NO PERMITA QUE EL PATRON DE ROCIADO PERMANEZCA EN UNA AREA FIJA DURANTE UN PERIODO PROLONGADO DE TIEMPO. PUEDE OCURRIR UN DAÑO POSIBLE AL AREA.

OPERACIÓN DEL AQUA CALIÉNTE:

⚠ ADVERTENCIA RIESGO DE QUEMADURA LA TEMPERATUREA DEL AQUA PUEDE SER MUY CALIEENTE DURANTE LA OPERACIÓN DEL AQUA CALIENTE. TEN CUIDADO CUANDO ESTA REGULANDO LA PRESION O ESTA CONTROLANDO LA ASEMBLIA DEL GATILLO O LANZA DUAL.

1. Siga los precedimientos 1-8 para "OPERACIÓN DE ARRANCAR / AQUA FRIO".
2. Mueva el interruptor del quemador a la posición de ENCENDIDO. Durante el arranque inicial, el agua comenzará a calentarse en aproximadamente 20 segundos y alcanzará su temperatura máxima en aproximadamente 2-1/2 minutos, siempre y cuando se mantenga oprimido el gatillo. El quemador se apagará cuando se suelte el gatillo.

INSTRUCCIONES DE OPERACION

NOTA: Mientras esté rociando, es normal que el quemador se encienda intermitentemente. El interruptor de límite alto causará que la combustión se suspenda cuando la temperatura del agua descargada exceda el límite ajustado en el interruptor. La combustión se reiniciará cuando la temperatura del agua descienda por debajo del ajuste mínimo.

En esta etapa, la unidad está operando como lavadora de presión con agua caliente. Asegúrese de ser extremadamente precavido cuando ajuste la presión o controle el conjunto de pistola/gatillo/varilla para evitar la posibilidad de sufrir quemaduras.

OPERACIÓN DEL VAPOR:

1. Siga los precedimientos 1-8 para "OPERACIÓN DE ARRANCAR / AQUA FRIO".
2. Asegure que el conector rápido en el extremo de la lanza doble esté debidamente fría al tacto, luego retire la boquilla de alta presión y cámbiela por la boquilla de vapor. retire la manguera de alta presión y cámbiela por la manguera de vapor.
3. Gire la perilla del descargador totalmente hacia la izquierda al ajuste mínimo.
4. Mueva el interruptor del quemador a la posición de VAPOR.

NOTA: El quemador se apagará si se mueve el interruptor a "Steam" (Vapor) sin fijar primero el descargador en el mínimo o en el funcionamiento del modo de alta presión.

En esta etapa, la unidad está operando como lavadora de presión con agua caliente. Asegúrese de ser extremadamente precavido cuando ajuste la presión o controle el conjunto de pistola/gatillo/varilla para evitar la posibilidad de sufrir quemaduras.

LIMPIEZA CON DETERGENTES:

NOTA: Esta atrocción tiene intención de usar con detergentes suaves solamente. Desde que el solución de limpiar vaja por el rollo caliente intercambio, no use corrosivos porque causan mucho daño y también causan peligros de seguridad.

1. Refiérase a las "Riesgo de Lesión", pág. 75. Asegúrese de usar vestimenta protectora de seguridad según lo mencionado.
2. Prepare la solución de detergente de acuerdo con las instrucciones del rótulo. Nunca bombee ácidos, alcalinos, fluidos abrasivos o solventes a través de la unidad.
3. Ponga completamente el cabo del colador de la manga detergente claro del vinilo en la solución detergente.
4. ALIMENTO DIRECTO: Sea seguro que el asimiento regulable en la lanza dual esta dando vuelta completante de las agujas del reloj para operacion del detergente presion bajo.

NOTA: Este sistema de inyección está diseñado para aplicar detergentes a baja presión solamente. No permitirá que se introduzcan soluciones de detergente en el sistema a menos que la boquilla del detergente esté instalada en la vara.

DEPOSITE FLOTADOR: Puede graduar la cantidad que quisiera si usted de la melta la valvula regulando completamente ensentido contraria a las agujas del reloj para establecer la velocidad maxima de sifón.

5. Desenganche la pistola a gatillo y accione el gatillo, para aplicar la solución. Una mezcla de detergente/agua saldrá de la boquilla de baja presión en unos pocos momentos. Comience rociando la porción inferior de la superficie que está siendo limpiada y muévase hacia arriba usando pasadas largas superpuestas. El aplicar desde abajo hacia arriba ayuda a evitar el estriado. Permita que se empape brevemente. (Para minimizar la posibilidad de que

INSTRUCCIONES DE OPERACION

se seque el detergente, lo que puede resultar en daños a las superficies pintadas, evite trabajar sobre superficies calientes o bajo la luz directa del sol.) Asegúrese de enjuagar una sección pequeña por vez.

6. Para enjuagar: asegure la pistola a gatillo en la posición "OFF":
ALIMENTO DIRECTO: Gire el asimiento regulable en la lanza dual en sentido contrario a los agujas del reloj para presión alto.
DEPOSITE FLOTADOR: Gire la válvula regulando a la posición cerrado.
Llevará 30 segundos aproximadamente purgar todo el detergente de la tubería. Comience en la parte superior y trabaje hacia abajo, para obtener los mejores resultados del enjuague.
7. Después de cada uso, extraiga por sifón un galón de agua del sistema de inyección de detergente a baja presión. Esto evita la posibilidad de corrosión o de que el residuo de detergente cause problemas mecánicos durante el próximo uso.

APAGADO:



PELIGRO ¡RIESGO DE INYECCION CAUSANTE DE LESIONES GRAVES! LA CARACTERÍSTICA DE INICIO/PARADA AUTOMÁTICA APAGARÁ LA LAVADORA A PRESIÓN HASTA QUE SE ACCIONE LA PISTOLA. PARA PREVENIR LA DESCARGA ACCIDENTAL DE ALTA PRESIÓN, NO DEJE LA UNIDAD SIN SUPERVISIÓN EN ESTA MODALIDAD !

1. Mueva la varilla a la posición abierta (de bomba).
2. Aprete el gatillo y descarque el agua por 3 min. a calmar el intercambio calentador y manguera de presión alta. (Se no permite la unidad a calmar completamente puede causar problemas y finalmente la manguera va a romper.)
3. Mueva la varilla a la posición cerrado.
4. Gire el agua para cerrarlo y aprete el gatillo momentáneamente para desahogar la presión trampa.
5. Desconecte la manguera de presión alta, la pistola y la lanza dual. Desague y queda lo en un lugar que no quede helar.

ALMACENAMIENTO Y MANTENIMIENTO

MANTENIMIENTO ESPECIFICO:

BOMBA: El aceite de la bomba debe ser cambiado después de las primeras 50 horas de operación en todas las unidades. Se recomienda intervalos de 250 horas, después de la carga inicial. Pueden requerirse cambios con mayor frecuencia, si el aceite parece sucio o lechoso. Use aceite para bombas de SAE20 o 30 que no detergente y llene sólo hasta la marca en el vidrio. NO llene en exceso.

ACOPLES RAPIDOS: Hay un sello del anillo en O dentro de acople rápidos hembra en la salida de agua de su unidad. Este anillo en O se deteriorará. Simplemente inserte un anillo de repuesto para corregir la pérdida. (Pueden comprarse anillos en O adicionales de su distribuidor).

BOQUILLAS: El agua que fluye a través de la boquilla de rociado de conexión rápida desgastará y agrandará el orificio, resultando en una pérdida de presión. Deberían reemplazarse las boquillas siempre que la presión sea menor que el 85% del máximo. La frecuencia de reemplazo dependerá de tales variables tales como el contenido mineral en el agua y el número de horas que se usa la boquilla.

SEPARADOR DE AGUA Y COMBUSTIBLE: El filtro de combustible tiene un separador de agua integrado. Ocasionalmente, debe drenarse el agua del separador. Siga los procedimientos detallados a continuación:

1. Revise el recipiente colector diariamente.
2. Asegúrese que la unidad esté apagada y ponga un colector de aceite debajo del cartucho de combustible.
3. Afloje el tapón de drenaje para permitir que los contaminantes del combustible/agua fluyan al colector de aceite.
4. Vuelva a apretar el tapón de drenaje cuando haya terminado.
5. Deseche el material drenado de acuerdo siguiendo los reglamentos ambientales de su área.

AIRE QUEMADURA AJUSTAMIENTOS: El postigo aire fue para operación correcta entre nivel de mar y 2000 feet a las condiciones normales (60°F agua y temperaturas aires) a ser seguro que tiene combustión máxima a las temperaturas frías y alturas altas. Es necesario ajustar la cantidad del aire al gabinete de combustión. Se recomienda un examen del humo durante algún ajustamiento del aire. Este va a adicionar la eficacia de quemada y sooting excesiva del gabinete de combustión.

1. La maguina tiene que funcionar y la quemadura abierta.
2. Tome un examen de humo para determinar si necesita más o menos aire para combustión correcta.
 - a. Si el examen es más de 3 numo. Ponga más aire dentro del gabinete de combustión.
 - b. Si el examen está amarillo en color. Ponga menos aire dentro del gabinete de combustión.
3. Agarrar la depostible del aire regulable brazo y aflojar la contratuerca. Muevas la postigo 1/8" incrementos y apretarse la contaturca después cada una muevas.
4. Aprete la pistola abierta y cerrada muy despacio y sea seguro que hay ignición buena. No hay igniciones esponosas y una prueba de 0-3 está bien.
5. Repete pasos 2 y 3 desile tiene paso 4.

GALTERAS: Inmediatamente remover algunas galteras que encuentre en la sistema para remover partes por poner un sellador a los hilos y reponiendo.

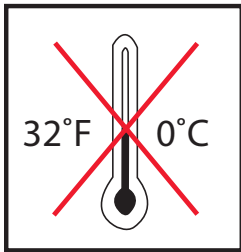
NOTA: Si esta usando cinta adhesiva, sea seguro que no cinta adhesiva del reloj puede entrar alguna fontanería a reducir la posibilidad de una tobera tapado.

ALMACENAMIENTO Y MANTENIMIENTO

PREPARACION PARA EL INVIERNO:

1. Será necesario preparar esta unidad para el invierno, para fines de Almacenamiento y transporte en temperaturas ambiente inferiores al punto de congelación. Esta unidad debe protegerse contra la temperatura más baja incurrida por las siguientes razones:
 - a. Si se congela cualquier parte del sistema de bombero puede acumularse una presión excesiva en la unidad, lo que podría causar que la misma reviente resultando en lesiones posibles graves al operador o a los observadores.
 - b. El sistema de bombeo de esta unidad puede resultar dañado permanentemente si se congela. **LOS DAÑOS POR CONGELACION NO ESTAN CUBIERTOS POR LA GARANTIA.**

Usted puede proteger su unidad siguiendo el procedimiento indicado abajo, si debe almacenarla en un lugar donde la temperatura puede descender por debajo de los 32°F.



⚠️ ADVERTENCIA ¡RIESGO QUE LA UNIDAD REVIENTE! ¡NO ALMACENE/OPERE LA UNIDAD EN UN AMBIENTE HELADO!

1. Reúne los artículos siguientes:
 - a. Dos recipientes de 5 galones.
 - b. Un galón de anticongelante. (Fabricante recomienda un anticongelante seguro para el medio ambiente.)
 - c. Suministro de agua.
 - d. Una manguera de tres pies de largo con un D.I. de 1/2-3/4 y con un adaptador macho de manguera de jardín de 3/4 de pulgada.
2. Procedimiento:
 - a. Para comenzar a preparar su unidad para el invierno, la misma debe hacerse funcionar y cebarse de acuerdo con los "OPERACIÓN DE ARRANCAR / AQUA FRIO" indicados.
 - b. Apague la unidad y corte el suministro de agua, después de hacerla funcionar y cebarla.
 - c. Elimine la presión del sistema apuntando la pistola a gatillo hacia una dirección segura y accionando el gatillo hasta que el flujo de agua cese de salir por la boquilla.
 - d. Asegure la pistola a gatillo en la posición OFF. Gradue la lanza dual al presión bajo.

NOTA: La preparación apropiada para el invierno está basada en las instrucciones recomendadas del fabricante incluidas en la "Tabla de Protección" mostrada en el rótulo posterior de la mayoría de los recipientes de anticongelantes.

MODELOS ALIMENTO DIRECTO:

1. Retire la manguera de suministro de agua de la unidad y fije seguramente la manguera de 3 pies a la conexión de entrada.
2. Si fuera aplicable apague el inyector de detergente.
3. Llène con agua un balde de 5 galones.
4. Manteniendo la manguera de 3 pies en una posición vertical, llénela completamente con agua. A continuación tapone la salida de la manguera con su dedo pulgar u otro dedo. Coloque el extremo taponado dentro del balde de agua de 5 galones.
5. Arranque la unidad. Accione varias veces el gatillo de la pistola hasta que todo el aire haya salido del sistema (la unidad está cebada). Puede ser necesario disminuir las RPM del motor a funcionamiento en vacío para ayudar el cebado.
6. Por medio de la acción de sifón extraiga suficiente agua del balde de 5

ALMACENAMIENTO Y MANTENIMIENTO

galones hasta que haya justo suficiente agua restante para mezclar con el anticongelante, con la pistola a gatillo mantenido abierto.

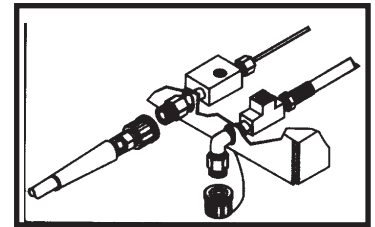
7. Apunte la vara hacia el recipiente vacío.
8. Accione el gatillo de la pistola hasta que el anticongelante comience a salir por la vara. Suelte el gatillo por 3 segundos, a continuación accione el gatillo de la pistola por 3 segundos. Continúe ciclando la pistola varias veces hasta que toda la mezcla anticongelante es extraída del recipiente por la acción de sifón.
9. Apague la unidad.
10. Separe la manguera de 3 pies de la unidad y drene todo el exceso restante de anticongelante dentro del recipiente de 5 galones.

MODELOS DEL DEPOSITOS FLOTANTES:

1. Quite la tapa del deposito flotado.
2. Arranque la unidad y aprete el gatillo desde el deposito esta casi vacio.
3. Apague la unidad.
4. Ponga una mesda de aqua y anticongelante en un contrninte que puede usar para arroyar la solución dentro del deposito flotado.
5. Arranque la unidad y inidque el gatillo dentro un continente vacio. Apretre el gatillo desde el anticongelante está empezando salir el gatillo a asemebla. Continúe ciclando la pistola varias veces hasta que toda la mezcla anticongelante es extraída del recipiente por la acción de sifón.
6. Apague la unidad.
 - e. Desconecte el conjunto de manguera/pistola/vara de la unidad y drene todo el exceso restante de anticongelante dentro del recipiente de 5 galones.
 - f. Drene la manguera, gatillo pistola y lanza dual y quede los con la unidad en un lugar que no puede congelar.
 - g. Almecene la solución anticongelante para un uso ulterior o descártela de acuerdo con las leyes de protección del medio ambiente correspondientes.
3. Procedimiento opcional:
 - a. Apague la unidad y corte el suministro de agua.
 - b. Elimine la presión del sistema apuntando la pistola a gatillo hacia una dirección segura y accionando el gatillo hasta que el flujo de agua cese de salir por la boquilla.
 - c. Desconecte y drene la manguera, la pistola y la vara.
 - d. Quite el tapon rollo desaguadero del entrante caliente intercambio.
 - e. Arranque la unidad y permita que funcione hasta que toda el agua salga de la misma. Apague una vez que el agua ha cesado de fluir de la unidad.

NOTA: Debe ejercerse precaución al usar este procedimiento, ya que pueden formarse plaquitas de hielo de las gotas de agua, lo que podría causar que la unidad reviente si se arranca antes de estar completamente descongelada.

COIL DRAIN PLUG



LOCALIZACION DE FALLAS

SINTOMA	CAUSA PROBABLE	SOLUCION
El motor de la bomba no funciona.	Sobrecarga del circuito.	Examine infractor del pared o el plomo.
	GFCI tropezó.	Reajuste.
	Sobrecarga del motor.	Reajuste boton del sobrecarga termica en motor de la bomba o electrica de control panel el interior.
	Se está usando la opción Inicio/parada automática.	Apunte la pistola en una dirección segura y apriete el gatillo.
No hay descarga de la boquilla cuando se acciona el mecanismo del gatillo.	Suministro inadecuado de agua.	Asegúrese que la manguera tenga 3/4" de diámetro y que el suministro de agua entrante esté abierto.
Presión baja o fluctuante	Doblez en la manguera de entrada de agua.	Elimine el dobléz
	Doblez en la manguera de descarga de alta presión.	Reemplace la manguera.
	Está obstruido el tamiz de la entrada de agua.	Saque el tamiz, limpie o reemplace.
	La bomba absorbe aire (Eliminado el cebado)	Ajuste todas las conexiones de entrada de agua. Elimine dobleces en la tubería de entrada.
	Gatillo de lanza dual no esta en hoda de presion alto.	Gire el gatillo en sentido contrario a las agujas del reloj presion alto.
	La boquilla de rociado está obstruida o gastada.	Saque, limpie o reemplace.
	El conjunto de la válvula en la bomba está dañado o obstruido.	Saque, inspeccione, limpie o reemplace.
	Los empaques de la bomba están gastados.	Reemplace los empaques
	La válvula de derivación no opera correctamente.	Repare o reemplace.
	Hay escama en el rollo caliente intercambia.	Quite escama del rollo.
Pérdida de agua de la "Válvula de descarga térmica"	La temperatura del entrada de agua es demasiado elevada.	La temperatura de agua entrante debe ser inferior a 125°F.
	La temperatura del agua es demasiado elevada.	No permita que la unidad opere en el modo de derivación (con la pistola a gatillo cerrado) durante más de tres minutos.
	Válvlula defectuosa.	Reemplace.
El agua parece lechosa o espumosa	Agua en el aceite.	Cambie la bomba de aceite. Llene al nivel apropiado.
Pérdida de aceite de la unidad	Sulos o argollas gastados.	Saque, limpie o reemplace.
El detergente no fluirá por sifón.	El tamiz del detergente no está completamente sumergido en la solución de detergente.	Inspeccione, sumerja si fuera necesario.
	El tamiz del detergente está obstruido.	Inspeccione, limpie o reemplace.
	La manguera del detergente está cortada, obstruida o doblada.	Inspeccione, limpie o reemplace.
	La perilla de ajuste del detergente está girada a la posición cerrada.	Abra la perilla de ajuste. Refiérase a "Limpieza con detergentes".

LOCALIZACION DE FALLAS

SINTOMA	CAUSA PROBABLE	SOLUCION
El detergente no fluir� por sif�n el modo de detergente a baja presi�n.	Gatillo de lanza dual no esta en modo de presi�n bajo.	Gire el gatillo de la saguyas del relo ga presi�n bajo.
	Hay demasiadas extensiones de las mangueras de alta presi�n conectadas a la salida de agua.	Use una extensi�n como m�ximo.
	La boquilla del detergente est� taponada.	Clean or Limpie o reemplace.
	La esfera y el resorte en el Venturi est�n atascados.	Retire, limpie o reemplace.
El flujo de agua retrocede al recipiente del detergente.	Controla valvula perdido o correr.	Retire, limpie o reemplace.
Cuando la pistola de gatillo est� asegurado en la posici�n "OFF", el agua fluye desde la boquilla.	La pistola funciona mal.	Repare o reemplace.
Agua esta saliendo debajo del rollo caliente intercambio.	El tap�n do drenaje del serpent�n no est� instalado.	Instale el tap�n.
	El aparato de seguridad est� salida de agua debido a una falla de un descargador o interruptor de presi�n.	1. Diagnostique y corrija el problema del descargador o interruptor de presi�n. 2. Reemplace el aparato de seguridad contra estallidos. NUNCA active la unidad sin un aparato de seguridad. Podr�a causar una explosi�n.
Quemador no encendia.	Varilla no est� en posici�n quemada.	Examine posici�n de la varilla.
	No hay voltaje.	Llame los servicios.
	No hay combustible.	M�s combustible. (Reset burner primary control on cadmium cell options.)
	La malla del tubo de entrada del tanque de combustible est� obstruida.	Retire, limpie o reemplace el tubo.
	Gatillo est� cerrado.	Abre el gatillo para presi�n.
	Pressure switch override.	Presi�n debe estar m�s a 250 PSI/18 Bar a permitir quemadura encender.
	Varilla de los limitos altos est� fatigando.	La unidad se volver� a encender autom�ticamente cuando est� fr�a.
	Acoplador reguable roto.	Reemplace.
	Filtro combustible/separador del aqua sucio o atascado.	Desaque o reemplace como es necesario.
	Bomba combustible esta absorbandos el aire.	Apriete todas las conexiones de entrada de combustible. Elimine las fugas en la l�nea de entrada.
	Bomba combustible no funciona.	Examine la presi�n reemplace se necesita.
	Boquilla combustilbe sucia o atascado.	Reemplace.
	Ajustameinto del aire quemado incorrecto.	Ajustar como dicen en el manual.
Transformador de ignici�n no funciona.	Reemplace.	

LOCALIZACION DE FALLAS

SINTOMA	CAUSA PROBABLE	SOLUCION
Quemador no encendia.	Electrodos del ignición gastado.	Con unidad funcionando y gatillo cerrado, mira por vidro quemado a ser seguro que hay chispas entre los electrodos.
	Valvula del combustible no funcional.	Reemplace.
	Modo alto PSI	Compruebe que el interruptor Burner/Steam.
Opción de Vapor:	Modo de Vapor.	(Quemador/vapor) esté en la modalidad
	Modo de Vapor: PSI de la cabeza de bomba demasiado altas.	Reduzca las PSI a 350.
Opción de celda de cadmio:	Bloqueo del control primario.	Restablézcalo.
El motor quemado no funciona.	La varilla no esta en la posición de "quemada".	Examine posición de la varilla.
	No hay voltaje.	Llame los servicios para clientes.
	Carga excesiva termica automatica tropezó.	El motor va a arrancar otra vez automaticamente.
	Bomba combustible encerró.	Repara o reponga con una nueva bomba combustible. Permite el motor a calmar para reducir carga excesiva térmica.
	La rueda ventriadora encerró.	Repara o reponga con una nueva la rueda ventriadora. Permite el motor a calmar para reducir carga excesiva térmica.
Quemadura funciona irregular.	Hay aqua en petroleo.	Desaugue filtro combustilbe y aqua seperador. Desaugue depósito combustible y reemplace con combustible limpio.
	Filtro combustible / aqua separador sucio.	Reemplace el elemento.
	Tobera combustilbe sucio.	Replace.
	Rejilla de recogida de combustible obstruida.	Llame los servicios.
	Ajustamiento malo del aire.	Ajuste como se muestra en el manual.
	Bomba combustible no funciona.	Reemplace.
La quemadura funciona pero no caliente.	Combustible malo o incorrecto.	Examine combustible a ser seguro que esta correcto. Desaugue el depósito y reemplace el filtro si es necesario y reponga combustible.
	Presión del combustible bajo.	Examine la presión del combustible y reemplace si es necesario.
	Tobera combustible sucio.	Reemplace.
	Rejilla de recogida de combustible obstruida.	Llame los servicios.
	Ajustameinto del aire incorrecto.	Ajuste como se muestra en el manual.
	Hay escama en el rollo caliente intercambia.	Quite escama del rollo.

LOCALIZACION DE FALLAS

SYMPTOM	PROBABLE CAUSE	REMEDY
Quemadura descarga humo blanco.	No hay mucho combustible.	Ponga más combustible. Si todavía hay humo blanco llame los servicios.
	Combustible malo o incorrecto.	Examine la presión del combustible y reemplace si es necesario.
	Tobera combustible sucio.	Reemplace.
	Rejilla de recogida de combustible obstruida.	Llame los servicios.
	Ajustameinto del aire incorrecto.	Ajuste como se muestra en el manual.
	Puesta en marcha con cámara de combustión fría.	Haga funcionar el quemador por varios minutos.
	Hay aire exesivo.	Ajuste como se muestra en el manual.
Quemadura descarga humo negro.	No hay bastante aire.	Ajuste como se muestra en el manual.
	Cámara de combustión cargada con combustible sin quemar.	Llame los servicios.

TABLA MANTENIMIENTO

PROCEDIMIENTO	DIARIAMENTE	3 MESES	6 MESES	9 MESES	12 MESES
Examine cordón eléctrico	X				
Examine GFCI	X				
Pruebe voltaje y amperaje					X
Compruebe nivel del petróleo bomba	X				
Cambie petróleo de bomba **		X	X	X	X
Examine filtración de petróleo	X				
Examine filtración de combustible	X				
Examine filtración del agua	X				
Examine la manquera	X				
Examine filtro del agua de admisión	X				
Compruebe filtro combustible/agua separado	X				
Examine de correas		X	X	X	X
Reponga tobera alta presión***		X	X	X	X
Reponga filtro combustible/agua separad					X
Examine filtro de bomba combustible*					X
Reponga tobera combustible*					X
Compruebe aire quemadura regulable		X	X	X	X
Compruebe quemadura electrodos*					X
Pruebe la presión del agua*		X	X	X	X
Pruebe la presión de combustible*		X	X	X	X
Pruebe temperatura del agua*		X	X	X	X
Quite escama del rollo****					X

* Debe realizar esto un técnico de servicio autorizado.

** Ud tiene que cambiar combustible de bomba después de las primeras 50 horas. De la operación y cada (250) horas o 3 meses, cualquiera.

*** Las boquillas de alta presión deben reemplazarse siempre que la presión sea inferior al 85%.

**** Hay una diferencia con la acumulación de escama con minerales en el agua y la cantidad de usos. Tiene que quitar escama cada mes o cada año.

OPCIONES

		HSE-1002-0MG10	HSE-1502-0MG10	HSE-2003-0MG10	HSE-1002-0MM11	HSE-1502-0MM11	HSE-2003-0MM11	HSE-2504-0M10	HSE-2504-0M30	HSE-3004-0M10	HSE-3004-0M30	HSE-3504-0M10	HSE-3504-0M30	HSE-4004-0M10	HSE-4004-0M30
HX-0070	Automatico Empezar/Parar							X	X	X	X	X	X	X	X
HX-0071	Automatico Empezar/Parar Vapor							X	X						
HX-0072	Automatico Empezar/Parar Vapor									X	X				
HX-0073	Automatico Empezar/Parar Vapor											X	X	X	X
HX-0074	Automatico Empezar/Parar Cadmium							X	X	X	X	X	X	X	X
HX-0075	Automatico Empezar/Parar Vapor/Cadmium							X	X						
HX-0076	Automatico Empezar/Parar Vapor/Cadmium									X	X				
HX-0077	Automatico Empezar/Parar Vapor/Cadmium											X	X	X	X
HX-0085	480 Volt								X						
HX-0086	480 Volt										X				
HX-0087	480 Volt												X		X
HX-0088	Máquina Pie							X	X	X	X	X	X	X	X
HX-0161	Contador Hora							X	X	X	X	X	X	X	X
HX-0232	Vapor	X	X												
HX-0233	Termostato Ajustable	X	X	X	X	X	X								
HX-0235	Contador Hora	X	X	X	X	X	X								
HX-0237	Automatico Empezar/Parar	X	X	X	X	X	X								
HX-0238	Apagado Del Encendido Retardado	X	X	X	X	X	X								
HX-0239	Vapor				X	X									
HX-0240	Vapor			X											
HX-0241	Vapor						X								
50-0161	Detergentes A Alta Presión				X	X	X								

ACCESORIOS

		HSE-1002	HSE-1502	HSE-2003	HSE-2504	HSE-3004	HSE-3504	HSE-4004
15-0006	Manguera Abastecer De Agua 3/4"	X	X	X	X	X	X	X
50-0195	Carrete Manguera 13" (Puede Manterner 100')	X	X	X	X	X	X	X
50-0196	Carrete Manguera 16" (Puede Manterner 200')	X	X	X	X	X	X	X
50-0140	Ménsula De La Manguera (22" Bar)	X	X	X				
852-0161	Manguera Para Carrete Manguera (4000 PSI)	X	X	X				
852-0138	Manguera Para Carrete Manguera (4000 PSI)				X	X	X	X
850-0174	Manguera Extension 50' (3000 PSI)	X	X	X	X			
850-0199	Manguera Extension 50' (4500 PSI)	X	X	X	X	X	X	X
AW-3000-0035	Boquilla Carbuo Arena Acribillar*			X			X	X
AW-3000-0004	Boquilla Carbuo Arena Acribillar*	X			X	X		
AW-4085-0016	Petroleo De Bomba	X	X	X	X	X	X	X
AW-7002-4045	Boquilla Giratoriade * (2000 PSI)	X						
AW-7004-0045	Boquilla Giratoriade * (3000 PSI)				X	X		
AW-7010-0001	Boquilla Giratoriade * (3600 PSI)		X	X			X	
AW-7003-1500	Boquilla Giratoriade *	X	X	X	X	X	X	X
AW-7018-1200	Vara Extension 12' ** (3000 PSI)	X	X	X	X	X		
AW-7018-1800	Vara Extension 18' ** (3000 PSI)	X	X	X	X	X		
AW-7018-2400	Vara Extension 24' ** (3000 PSI)	X	X	X	X	X		
AW-7020-8003	Limpia De Superficie Rotatorio 20" ** (4000 PSI)	X	X	X	X	X	X	X
AW-7020-8001	Limpia De Superficie Rotatorio 28" ** (4000 PSI)	X	X	X	X	X	X	X

*Necesita 17-0028 1/4" Conecta rapida a hembra.

**Necesita 17-0004 3/8" Conecta rapida a hembra.

***PSI y GPM tienen que se especificada cuando esta ordena.

Detergents de son detergentes especialmente para usar con lavadoras a presion de el fabricante & estan envasando en dimensiones varios. Para mas llame los servicios para clientes a 800-553-9053.

DECLARACIÓN DE GARANTÍA

El fabricante garantiza que todas las piezas (excepto aquellas a las que se hace referencia abajo), de su nueva lavadora a presión libres de defectos en materiales y mano de obra durante los periodos siguientes:

Para un curso de la vida contra congelar y agrietarse:

Colector de bomba

Por siete (7) años a partir de la fecha original de compra:

Bomba de Alta Presión

Por tres (3) años a partir de la fecha original de compra:

Quemadura del rollo

Por dos (2) años a partir de la fecha original de compra:

Estructura Fontaneria Guardia Poleas

Por un (1) año a partir de la fecha original de compra:

Encender de selectivo Empezar interruptor

Cordón con GFCI Sobrecarga Termostato ajustable

Por seis (6) mes a partir de la fecha original de compra:

Transformador encendido El motor quemador

Por noventa (90) días a partir de la fecha original de compra:

Electrodos Interruptores de seguridad Válvula de combustible

Bomba de combustible Válvula de regulación Solenoide del combustible

Termostato alto del límite

Por treinta (30) dias a partir de la fecha original de compra:

Alta Presión Manguera Pistola Filtros Lanza Dual

Las piezas defectuosas que no están sujetas a deterioro causado por el uso serán reparadas o reemplazadas a nuestra opción durante el periodo de garantía. En todo caso, el reembolso está limitado al precio de compra pagado.

EXCLUSIONES

1. El motor está cubierto bajo una garantía separada proporcionada por el fabricante respectivo y está sujeta a los términos en ella establecidos.
2. Partes de desgaste normal:
Empaques de las bombas Válvulas de la bomba Filtros de combustible
Válvulas del detergente Boquillas Connexión Rapida Correa o-aro
3. Esta garantía no cubre las piezas dañadas debido al deterioro normal causado por el uso, mala aplicación, mal uso, operación a velocidades, presiones o temperaturas diferentes a las recomendadas. Las piezas dañadas o gastadas a causa del uso de líquidos cáusticos o por la operación en medios ambientes abrasivos o corrosivos o bajo condiciones que causan cavitación de la bomba no están garantizadas. La falla en seguir los procedimientos recomendados de operación y mantenimiento también cancela la garantía.
4. El uso de piezas de repuesto diferentes a las genuinas cancelará la garantía. Las piezas devueltas, con franqueo pagado a un Centro de Servicio Autorizado, serán inspeccionadas y reemplazadas, libre de cargos, si se determina que están defectuosas y sujetas a la garantía. No existen garantías que se extiendan más allá de la descripción contenida aquí. Bajo ninguna circunstancia fabricante será responsable por la pérdida de uso de la unidad, pérdida de tiempo, inconvenientes, pérdida comercial o daños consecuentes.

PARA SERVICIO O CONSIDERACION DE LA GARANTIA CONSULTE CON:

Mi-T-M® Corporation, 50 Mi-T-M Drive, Peosta, IA 52068

Telefono: 563-556-7484 / Telefone gratis en los EE.UU.:800-228-6172

Fax 563-556-1235

Lunes - Viernes 8:00 a.m. - 5:00 p.m. CST

